

RC10 **BB6** TEAM KIT

1:10 Scale 2WD Electric
Off Road Competition Buggy Kit

#90011 RC10B6 Team Kit



1:10 Scale Electric 2WD Mid Motor Off Road Buggy Kit Manual & Catalog

TEAM ASSOCIATED



Designed in California, USA

:: Introduction

Thank you for purchasing this Team Associated product. This assembly manual contains instructions and tips for building and maintaining your new vehicle. Please take a moment to read through the manual and familiarize yourself with the steps. We are continually changing and improving our designs; therefore, actual parts may appear slightly different than the illustrations. New parts will be noted on supplementary sheets located in the appropriate parts bags. Check each bag for these sheets before you start to build.

:: RC10B6 KIT Features

- 3-gear laydown Stealth™ transmission with lightweight aluminum top shaft
- Gear differential with Factory Team aluminum gear differential cover
- Carbon fiber shock towers and gull-wing front arms with three shock mounting positions
- Reverse bell-crank steering rack design allows more room for electronics
- Hard anodized aluminum pocketed chassis with optional weights available for optimal weight bias
- V2 12mm "Big Bore" threaded aluminum shocks with 3mm TiN coated shafts and low friction x-rings for improved smoothness
- One-piece steering blocks with bolt on Ackermann plates
- Adjustable battery hold-down strap allows weight bias tuning
- Lightweight and durable aluminum C plate and aluminum ball stud mount
- Repositioned A plate provides maximum front end clearance
- Centralized motor positioning for optimum side-to-side balance
- Fore and aft rear shock mounting positions provide additional tuning for available traction
- Updated ball cups and turnbuckles for precise adjustments and durability
- Team Associated clear body and screw-mounted wing by JConcepts
- Factory Team upgraded ball bearings

:: Additional

Your new B6 Team Kit comes unassembled and requires the following items for completion (refer to catalog section for suggestions):

- R/C two channel surface frequency radio system
- AA-size batteries for transmitter (#302 alkaline)
- Electronic Speed Control, ESC (#27002)
- Steering servo (#27106, #27107) • R/C electric motor
- Pinion gear (48P), size determined by type/wind of motor
- Battery charger (a peak detection charger, or LiPo compatible charger)
- 2 cell LiPo battery pack (#738)
- Polycarbonate specific spray paint
- Cyanoacrylate glue (CA)(#1597)
- Thread locking compound (#1596)
- Tires and Inserts, Fronts and Rears
- Wheels w/12mm Hex
Front Wheels #9690, #9691, #91572, #91573
Rear Wheels #9695, #9696, #91570, #91571

Tools included:

- Allen wrenches 1.5mm, 2.0mm
- #1113 12mm Shock Tool
- Multi-wrench

:: Other Helpful Items

- Silicone Shock Fluid (Refer to catalog for complete listings)
- Body Scissors (AE Part # 1737)
- FT Hex/Nut Wrenches (AE Part # 1519)
- Soldering Iron
- Reamer / Hole Punch
- Needle Nose Pliers
- Calipers or a Precision Ruler
- Shock Pliers (#1675)
- Multi Tool (AE Part #7494)
- Green Slime shock lube (AE Part # 1105)
- Wire Cutters
- Hobby Knife

















Associated Electrics, Inc.
26021 Commercentre Dr.
Lake Forest, CA 92630



Customer Service
Tel: 949.544.7500
Fax: 949.544.7501

:: Hardware - 1:1 Scale View







Button Head (bhcs)

-  **2x4mm (31510)**
Aluminum (8545)
-  **2.5x6mm (31520)**
-  **2.5x8mm (31521)**
-  **3x4mm (91158)**
-  **3x5mm (31530)**
-  **3x6mm (31531)**
Aluminum (8550)
Titanium (91580)
-  **3x8mm (31532)**
Aluminum (8552)
Titanium (91581)
-  **3x10mm (25211)**
Aluminum (8554)
Titanium (91582)
-  **3x12mm (89202)**
Titanium (91583)
-  **3x14mm (25187)**
Titanium (91584)
-  **3x16mm (89203)**
Titanium (91585)
-  **3x18mm (2308)**
-  **3x20mm (25188)**
Titanium (91587)
-  **3x22mm (25189)**
Titanium (91588)
-  **3x24mm (89204)**
Titanium (91589)
-  **3x30mm (91478)**

Cap Head (shcs)

-  **1.6 x 5mm (91611)**




Flat Head (fhcs)

-  **3x8mm (25201)**
Aluminum (8553)
Titanium (91592)
-  **3x10mm (25202)**
Aluminum (8555)
Titanium (91593)
-  **3x12mm (25203)**
Aluminum (8556)
Titanium (91594)
-  **3x14mm (89208)**
Aluminum (8567)
Titanium (91595)
-  **3x16mm (25204)**
Titanium (91596)
-  **3x18mm (89209)**
Titanium (91597)

Set Screws

-  **3x3mm (25225)**
-  **3x10mm (4671)**






Shims and Washers

-  **Servo Mount Washer (7337)**
(.250 x .125 x .815)
-  **FT Ballstud Washer, Aluminum**
(1mm and 2mm, 4 each) (31286)
-  **3x8mm Washer (89218)**











Diff Balls

-  **5/64 Diff Thrust Balls (6574)**
-  **3/32 Carbide Diff Balls (6581)**
-  **3/32 Ceramic Diff Balls (6584)**




Ball Bearings

-  **3x7x3mm (91475)**
-  **5x8x2.5mm (31400)**
-  **5x10x4mm (91560)**
-  **6x13x5 (91562)**
-  **10x15x4 (91563)**

Ballstuds

-  **Silver 5mm long (31283)**
-  **Ti Nitride 5mm long (31291)**
-  **Silver 8mm long (31284)**
-  **Ti Nitride 8mm long (31292)**
-  **HD 6mm (91047)**
-  **Ti Nitride HD 6mm (91118)**
-  **HD 8mm (91048)**
-  **Ti Nitride HD 8mm (91119)**
-  **HD 10mm (91049)**
-  **Ti Nitride HD 10mm (91120)**

Nuts (lock/plain)

-  **M3 Nut (91477)**
-  **M3 Alum. Locknut, Blue (31550)**
-  **M3 Locknut, Black (25215)**
-  **M3 Locknut w/Flange (25612)**
-  **FT 3mm Locknuts, Blue(25392)**
-  **M4 Locknut w/Flange (91148)**
-  **FT M4 Locknut, Blue (31551)**
-  **M4 Locknut, Serrated (91738)**

Notes:

:: Table of Contents

1..... Cover	14.....Bag 18 - 19
2..... Introduction	14 - 16.....Bag 20 - 22
3.....1:1 Hardware "Fold Out"	16.....Bag 23
4..... Table of Contents	16 - 18.....Bag 24 - 26
5.....Bag 1	19 - 21..... Tuning Tips
5 - 7.....Bag 2 - 4	22 - 30.....Catalog
7 - 8.....Bag 5 - 8	31..... Notes / Contact Info
8 - 9.....Bag 9 - 10	32..... Setup Sheet "Kit Setup"
9 - 11.....Bag 11 - 14	33..... Setup Sheet "Blank"
12.....Bag 15 - 16	34..... Back Cover
13.....Bag 17	

:: Notes

This symbol indicates a special note or instruction in the manual.



This symbol indicates a Racers Tip.



Scanning this QR code will take you to Team Associated's Tech Tips. These tips will help you with your build and setup!



There is a 1:1 hardware foldout page in the front of the manual. To check the size of a part, line up your hardware with the correct drawing until you find the exact size. Each part in the foldout has a number assigned to it for ordering replacement parts.

**Associated Electrics, Inc.
26021 Commercentre Dr.
Lake Forest, CA 92630**



**Customer Service
Tel: 949.544.7500
Fax: 949.544.7501**

<http://www.TeamAssociated.com> • <http://www.RC10.com> • http://twitter.com/Team_Associated • <http://bit.ly/AEonFacebook>

:: Bag 1 - Step 1

31286 $\Sigma 2$
FT Ballstud Washer, Aluminum (2mm)

91048 $\Sigma 2$
Heavy-duty Ballstud, 8mm

91475 $\Sigma 4$
3 x 7 x 3 Ball Bearing

91667
Steering Rack

31286 $\Sigma 2$
FT Ballstud Washer, Aluminum (1mm)

91475 $\Sigma 4$
3 x 7 x 3 Ball Bearing

91667
Steering Bellcrank (Right)

91667
Steering Bellcrank (Left)

Front

Note orientation of steering rack.

:: Bag 1 - Step 2

25188 $\Sigma 2$
M3 x 20mm BHCS

91667
Steering Bellcrank Brace

31283
5mm Ball Stud, Long

91049 $\Sigma 2$
Heavy-duty Ballstud, 10mm

31286 $\Sigma 2$
FT Ballstud Washer, Aluminum (1mm)

89202 $\Sigma 2$
M3 x 12mm BHCS

91655
Front Ball Stud Mount

The steering bellcrank brace has offsets on one side. They should be installed towards the bearings.

Do not overtighten steering bolts. Make sure there is free movement in the steering rack.

:: Bag 2-4 - Step 1

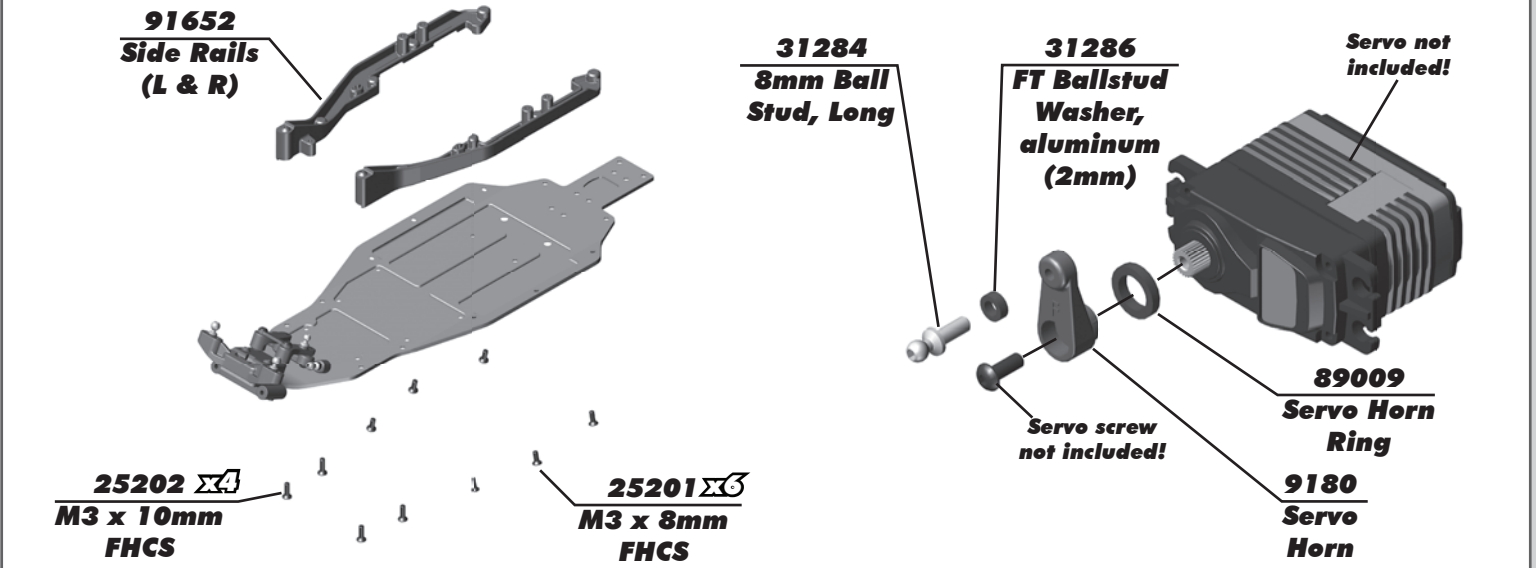
91656
Bulkhead

91650
Chassis, B6

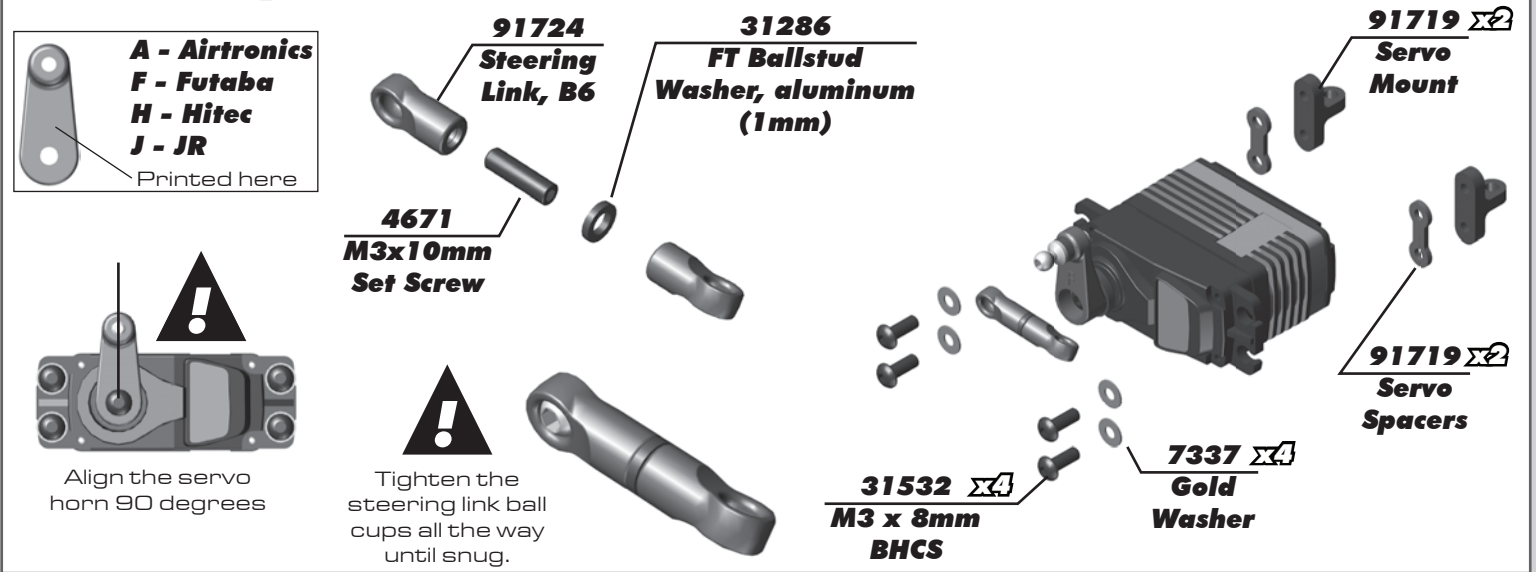
25204 $\Sigma 2$
M3 x 16mm FHCS

There are two bulkhead settings (25°, 30°). 25° is the standard used. The arrow should point forward for the desired setting.

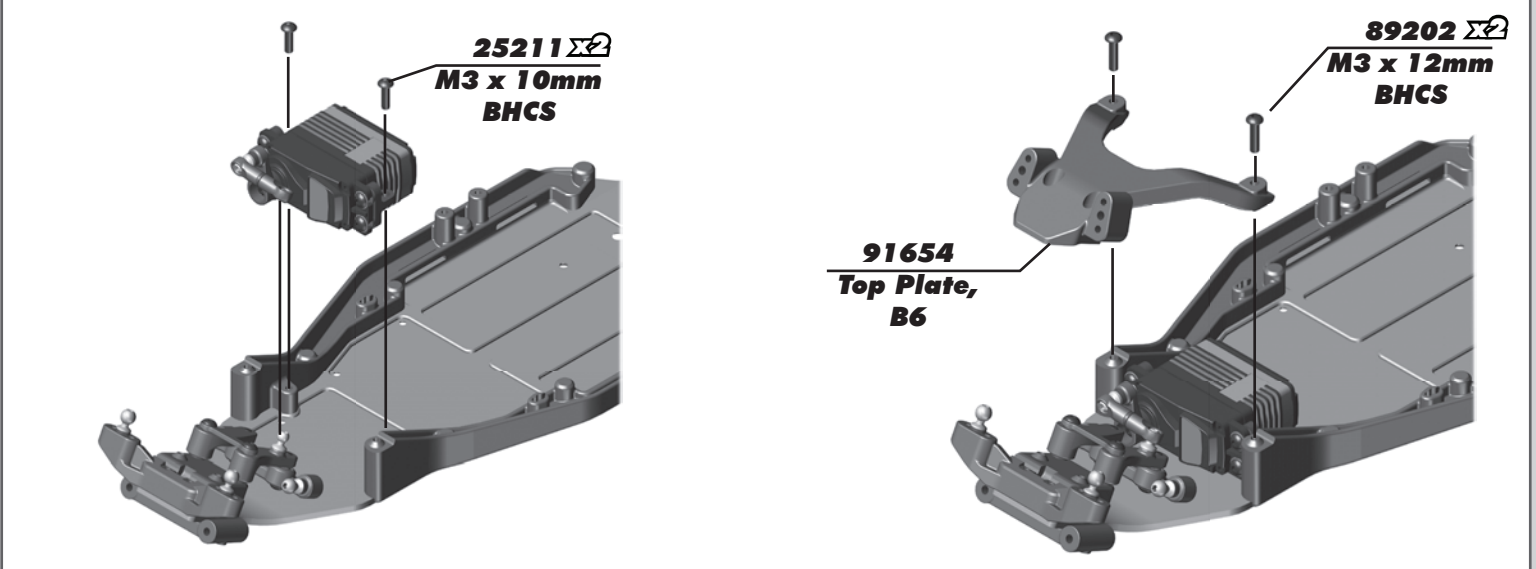
:: Bag 2-4 - Step 2



:: Bag 2-4 - Step 3

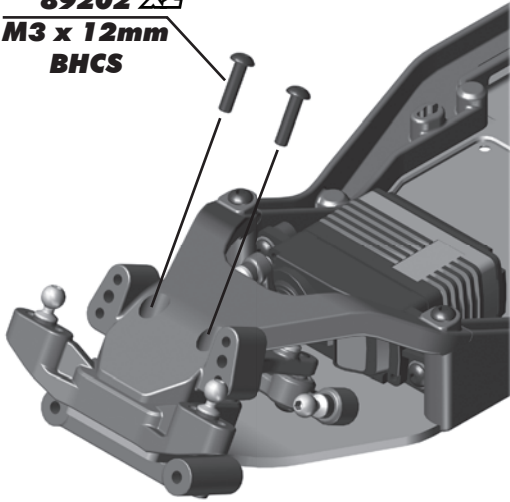


:: Bag 2-4 - Step 4

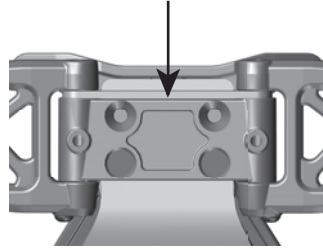


:: Bag 2-4 - Step 5

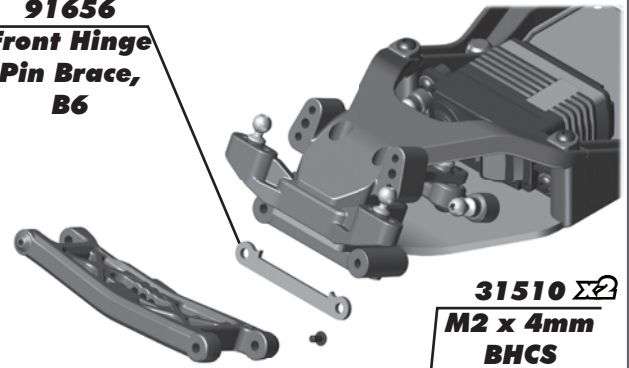
89202 $\Sigma 2$
M3 x 12mm
BHCS



The front hinge pin brace has a sharp edged side, and a rounded edge side. Mount the sharp edge side towards the bulkhead.

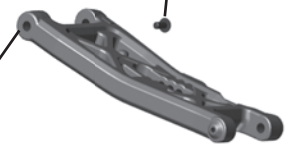


91656
Front Hinge
Pin Brace,
B6

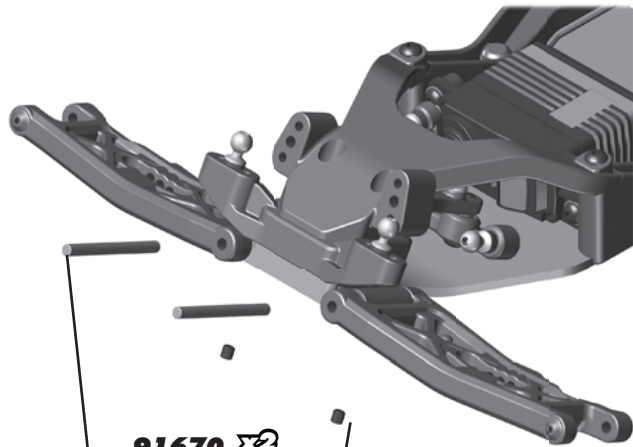


31510 $\Sigma 2$
M2 x 4mm
BHCS

91673 $\Sigma 2$
Front Arms,
Gull-Wing,
B6

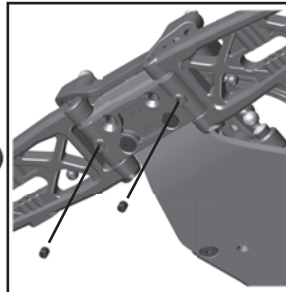


:: Bag 2-4 - Step 6

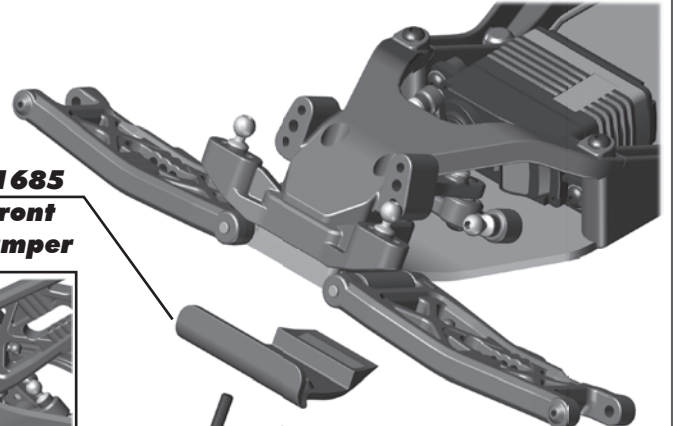


91670 $\Sigma 2$
Hinge Pin
(front, inner)

25225 $\Sigma 2$
M3 x 3mm
Set Screw



91685
Front
Bumper



25204 $\Sigma 2$
M3 x 16mm
FHCS

:: Bag 5-8 - Step 1

31531
M3 x 6mm
BHCS

#1596
thread lock

91677
Steering
Block

91047
Heavy-duty
Ballstud,
6mm

91560 $\Sigma 2$
5 x 10 x 4
Bearing



91679
Steering
Block Arm



25215
M3 Locknut,
black

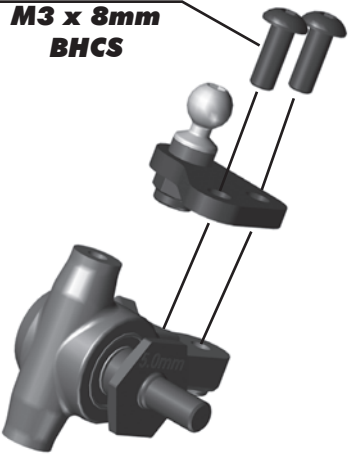
91682
Front Axle



Build 2 (1 left, 1 right)

:: Bag 5-8 - Step 2

31532 $\times 2$
M3 x 8mm
BHCS



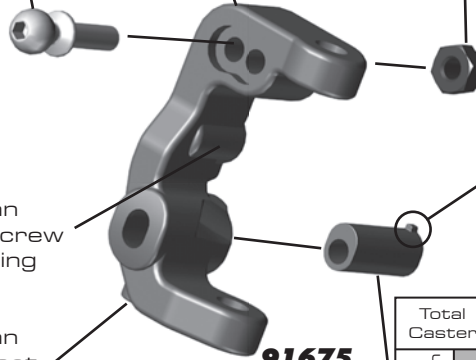
91049
Heavy-duty
Ballstud,
10mm



You can install an optional #31520 screw to use as a steering stop setting.

You can install an optional #4670 set screw to better hold the caster block inserts and hinge pin.

91675
Caster
Block



25215
M3 Locknut,
black

91675
Caster
Block Insert
(+5°)



There are three caster block inserts included [0°, +/- 2.5°, +/- 5°]. +5° is the standard insert used.

Tab up = positive caster
Tab down = negative caster

Total Caster		Caster Block Insert				
		0	2.5 up	2.5 down	5 up	5 down
Bulkhead Orientation	25°	25°	27.5°	22.5°	30°	20°
	30°	30°	32.5°	27.5°	35°	25°

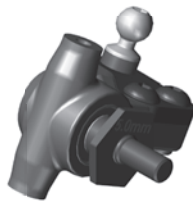
Build 2 (1 left, 1 right)

:: Bag 5-8 - Step 3

25187 $\times 2$
M3 x 14mm
BHCS



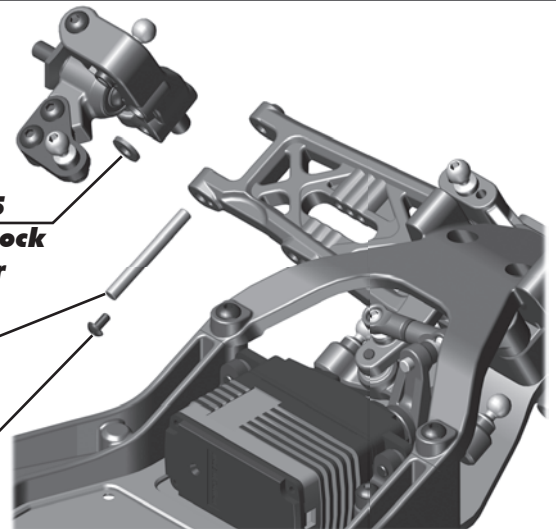
91676 $\times 2$
Caster Hat
Bushing
Top: 1mm
Bottom: 2mm



91675
Caster Block
Spacer

91670 $\times 2$
Hinge Pin
(front, Outer)

31510
M2 x 4mm
BHCS



Build 2 (1 left, 1 right)

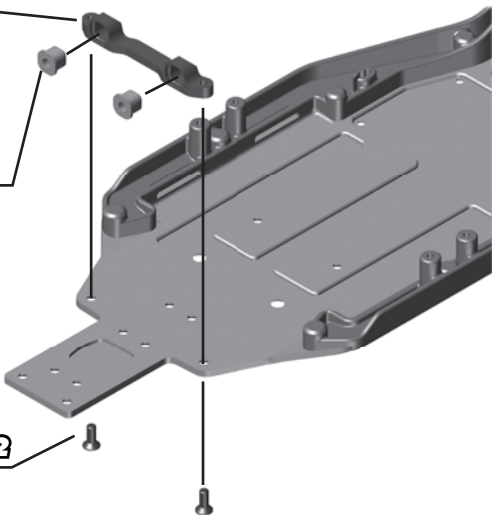
Build 2 (1 left, 1 right)

:: Bag 9-10 - Step 1

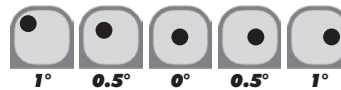
91686
Aluminum
Arm Mount,
C

92014 $\times 2$
Arm Mount
Inserts
(2.5°, 1°)

25201 $\times 2$
M3 x 8mm
FHCS



Arm Mount Inserts

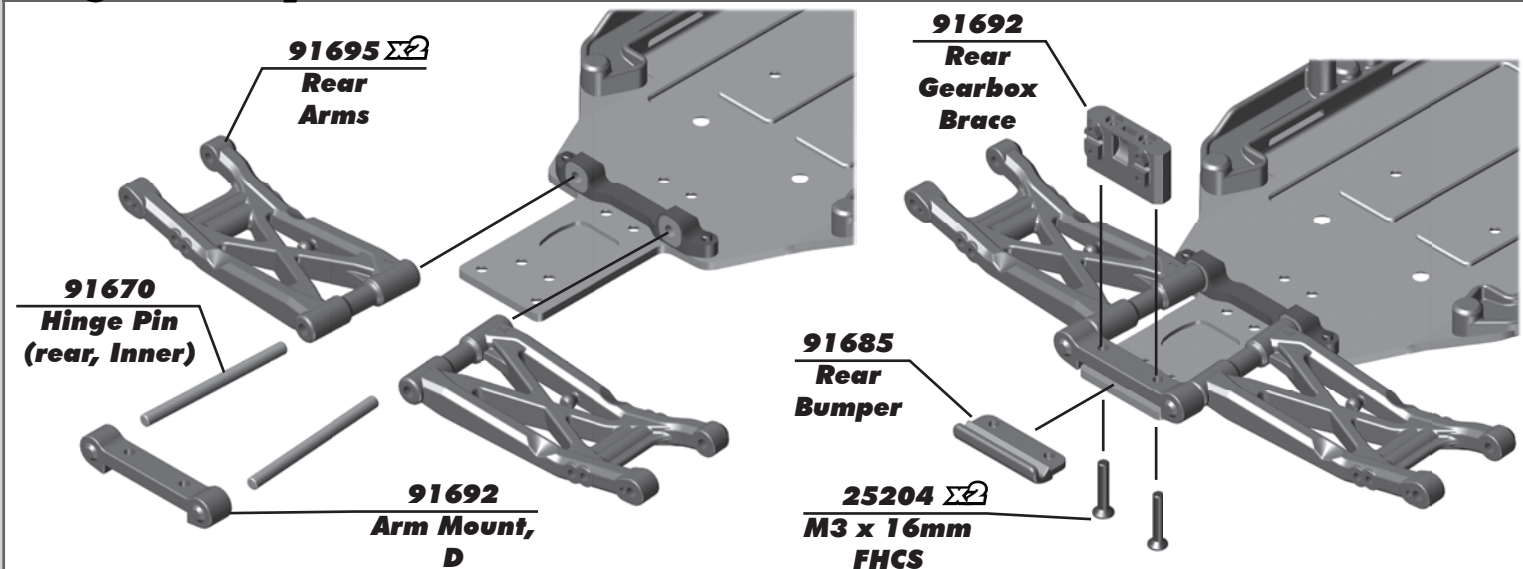


The Arm Mount Insert chart shows the different adjustments possible. 2.5° Toe / 1° Anti-Squat is the kit setup.

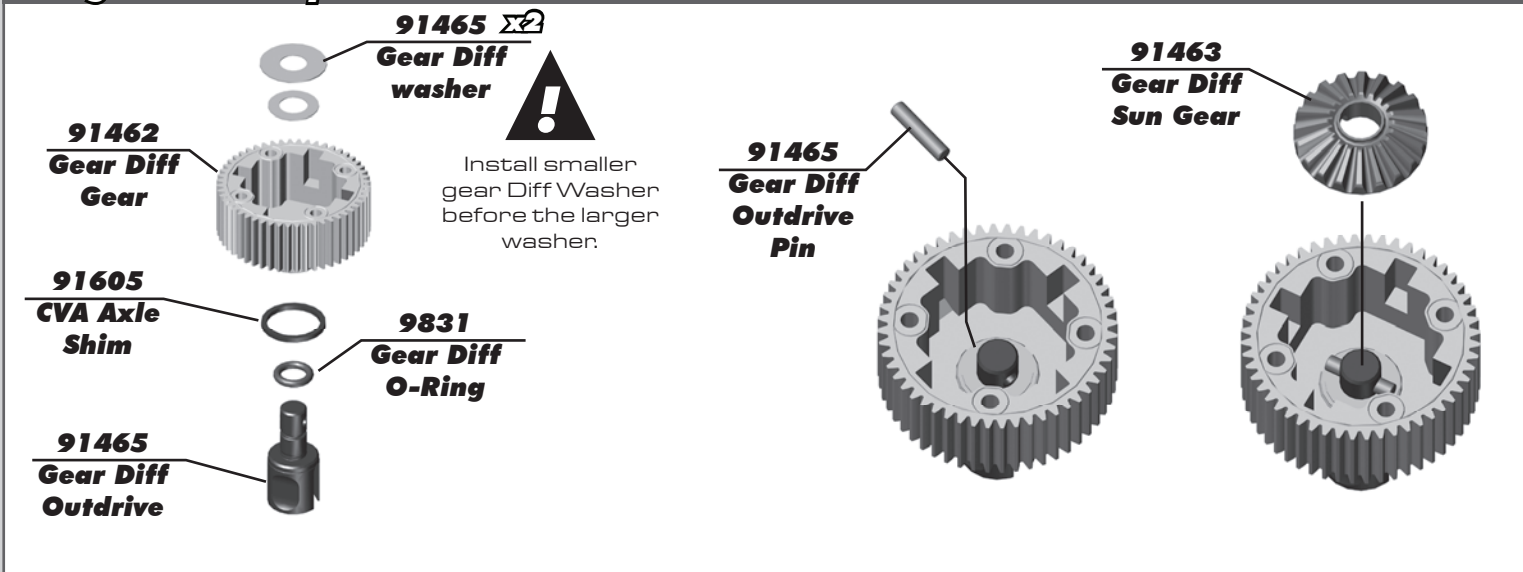
NOTE the orientation of the inserts when installing them into Arm Mount C! If the inserts are not matched correctly from left to right, suspension binding can occur.

	Toe-In	Anti-Squat
	2°	2°
	3°	2°
	4°	2°
	2.5°	1.5°
	3°	1.5°
	3.5°	1.5°
	2°	1°
	2.5°	1°
	3°	1°
	3.5°	1°
	4°	1°
	2.5°	0.5°
	3°	0.5°
	3.5°	0.5°
	2°	0°
	3°	0°
	4°	0°

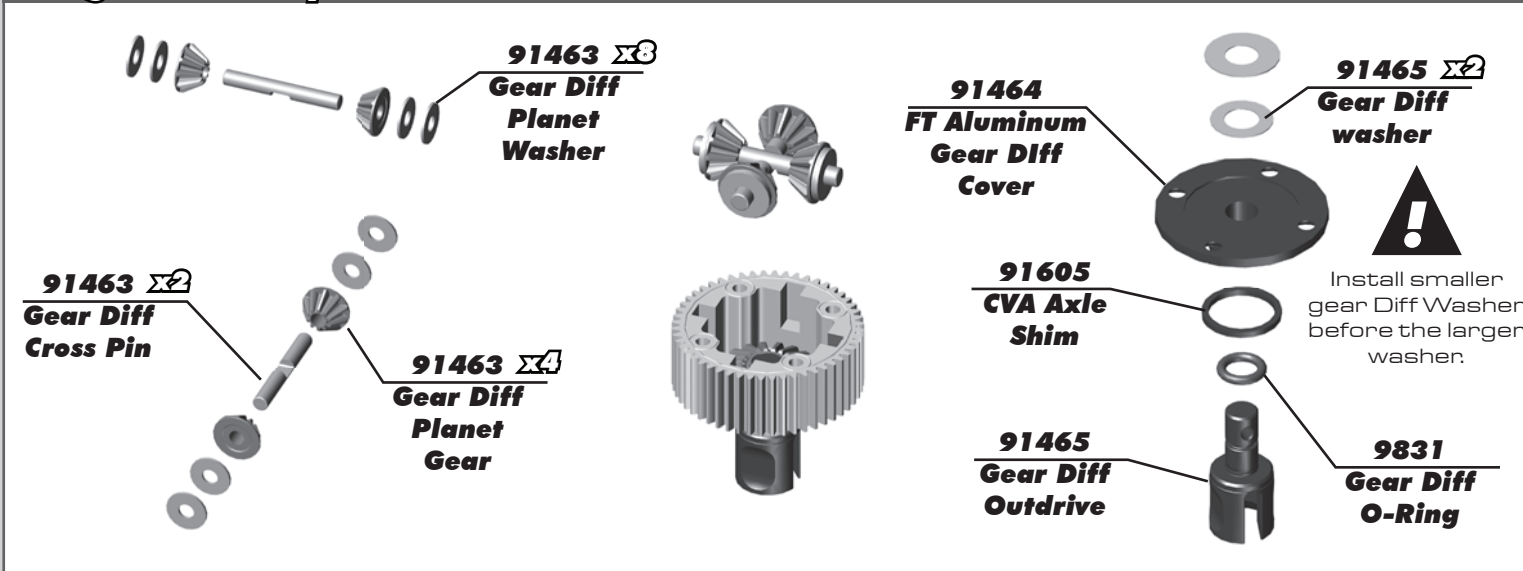
:: Bag 9-10 - Step 2



:: Bag 11-14 - Step 1



:: Bag 11-14 - Step 2



:: Bag 11-14 - Step 3

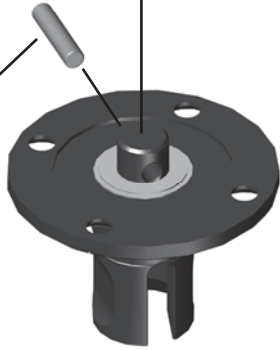
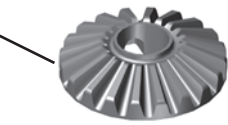
91463
Gear Diff
Sun Gear

91465
Gear Diff
Outdrive
Pin

4675 $\Sigma 4$
M2.5 x 6mm
FHCS

91463
Gear Diff
Gasket

Diff fluid
#5444



:: Bag 11-14 - Step 4

91560 $\Sigma 2$
5 x 10 x 4,
Bearing

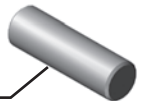
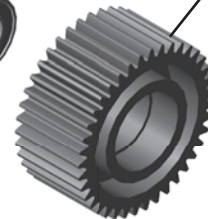
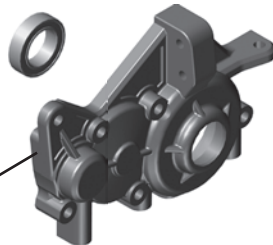
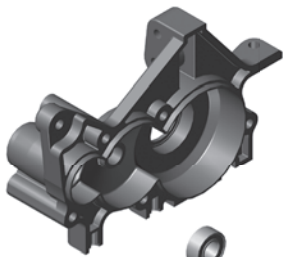
91563 $\Sigma 2$
10 x 15 x 4,
Bearing

91560 $\Sigma 2$
5 x 10 x 4,
Bearing

91716
Idler Gear
39T

91708
Lay-down
Gearbox
(right & left)

91132
Idler Gear
Shaft,
Aluminum



:: Bag 11-14 - Step 5

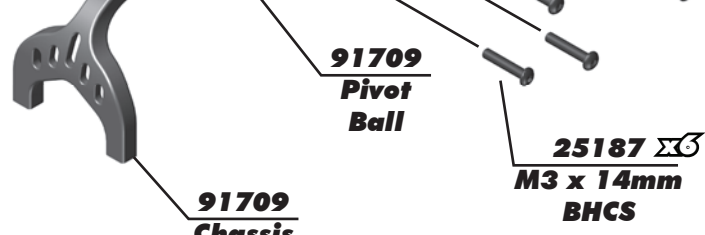
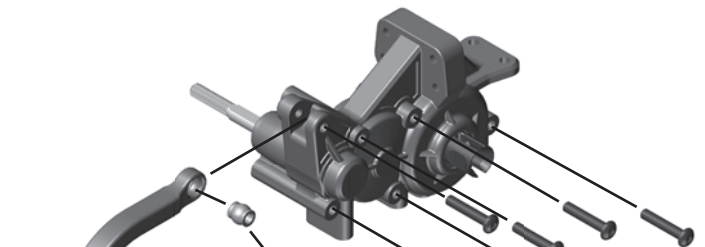
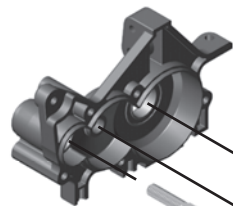
91710
Top Shaft

#6591
diff lube

91709
Pivot
Ball

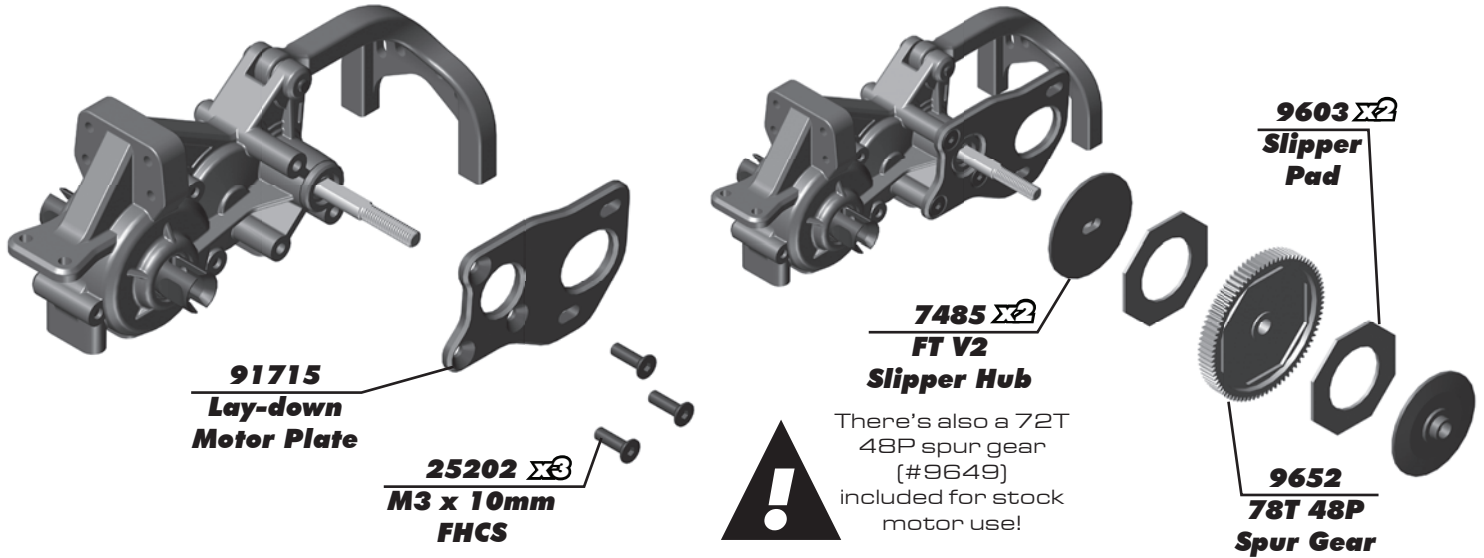
91709
Chassis
Brace

25187 $\Sigma 3$
M3 x 14mm
BHCS

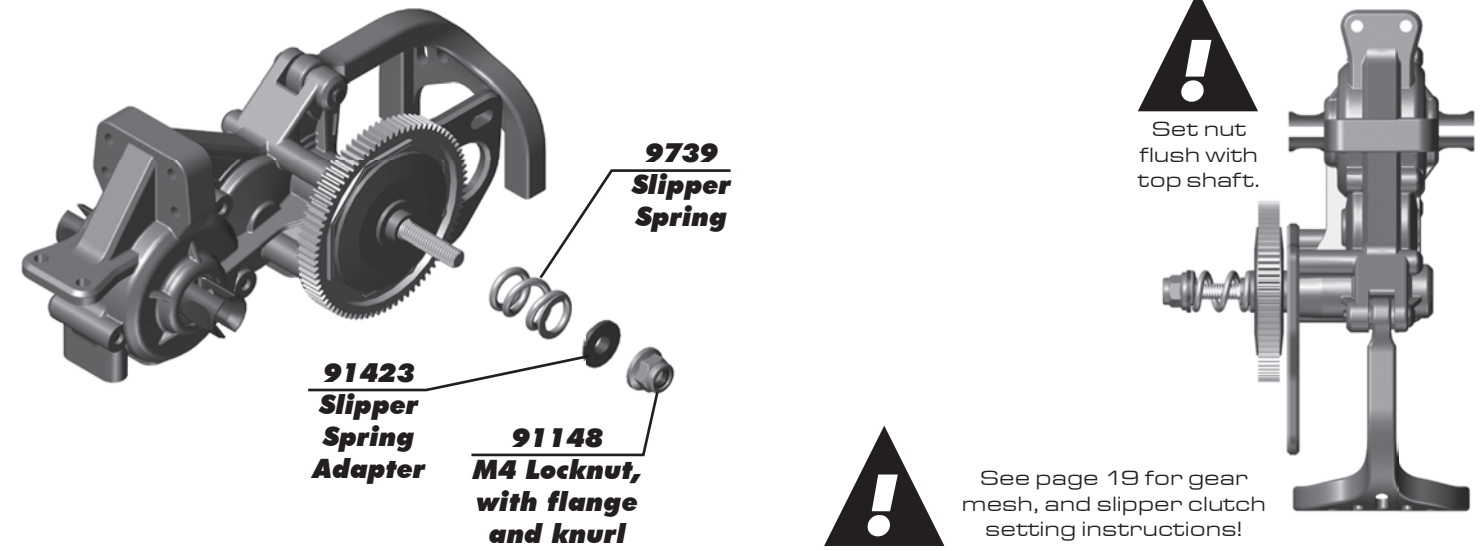


Add a drop of Diff Lube (#6591) to the teeth of the diff gear, idler gear, and top shaft.

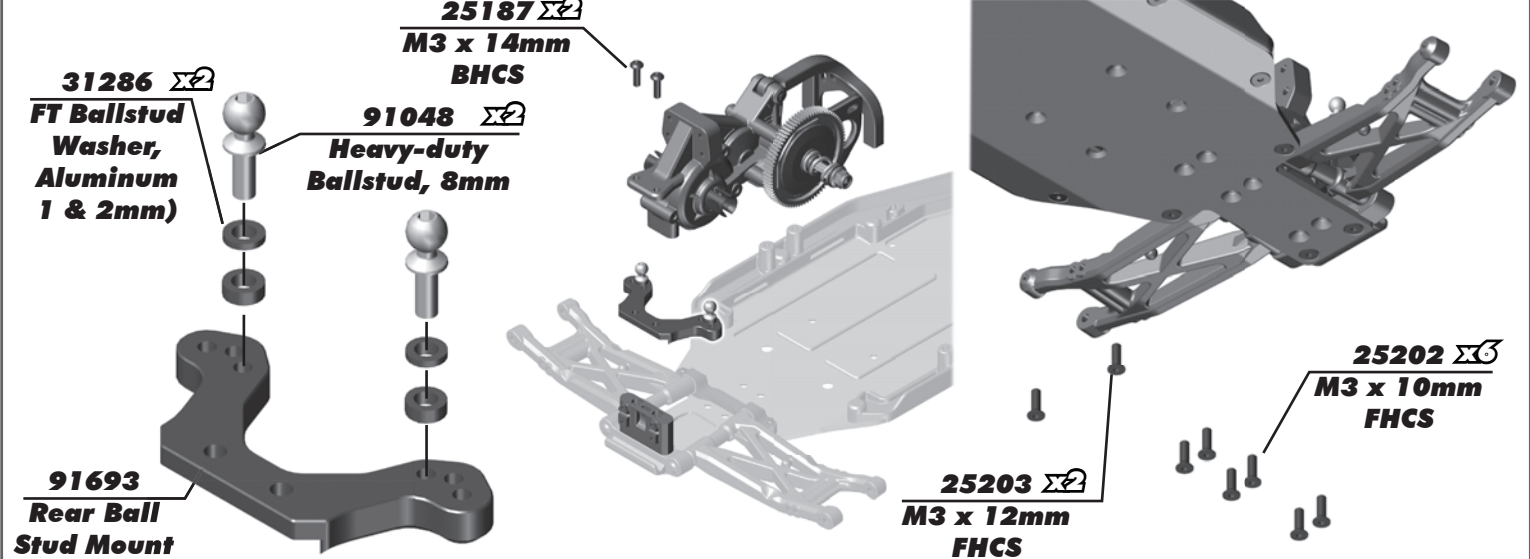
:: Bag 11-14 - Step 6



:: Bag 11-14 - Step 7



:: Bag 11-14 - Step 8



:: Bag 15-16 - Step 1

91697
Rear Hub Link Insert

89218
3 x 8mm Washer

91049
Heavy-duty Ballstud, 10mm

#1596
thread lock

91563
10 x 15 x 4 Bearing

25215
M3 Locknut, black

91698
Rear Hub Link Nut

91697
Rear Hub

91562
6 x 13 x 5 Bearing

91697
Rear Hub Insert (+3)

Build x2 (right and left side)

Rear Hub Link Setting (Right Side Shown):

Up

A	C	E
B	D	

Down

B	D
A	E

Insert	0/3 up	0/3 down	1/2 up	1/2 down
Axle Height	0 (low)	+ 3mm	+ 1mm	+ 2mm
Recommended Ballstud location				

:: Bag 15-16 - Step 2

91438
CVA Coupler

#6588
black grease

91439
CVA Bone

71019
HD CVA Axle

91438
CVA Pin

91436
CVA Wheel Hex Pin

91611
M1.6 x 5mm SHCS

91610
Clamping Wheel Hex, 7mm Offset (rear)

Build x2 (right and left side)

Build x2 (right and left side)

Do not overtighten the 1.6 x 5mm SHCS into the Clamping wheel hex.

:: Bag 15-16 - Step 3

91697
Rear Hub Spacer

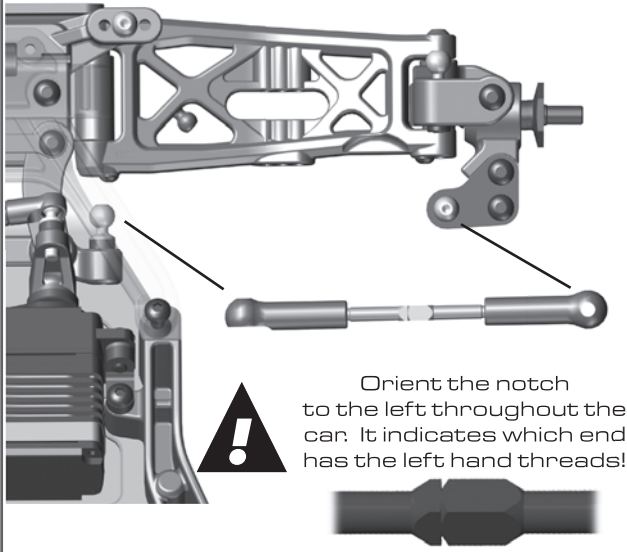
31510
M2 x 4mm BHCS

91670
Hinge Pin (rear, outer)

Build x2 (right and left side)

Build x2 (right and left side)

:: Bag 17 - Step 1



**91722
Ball Cup**

**91723
Turnbuckle
3x48mm**

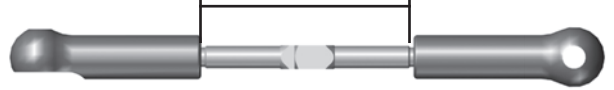
**91722
Ball Cup**



Racers Tip:

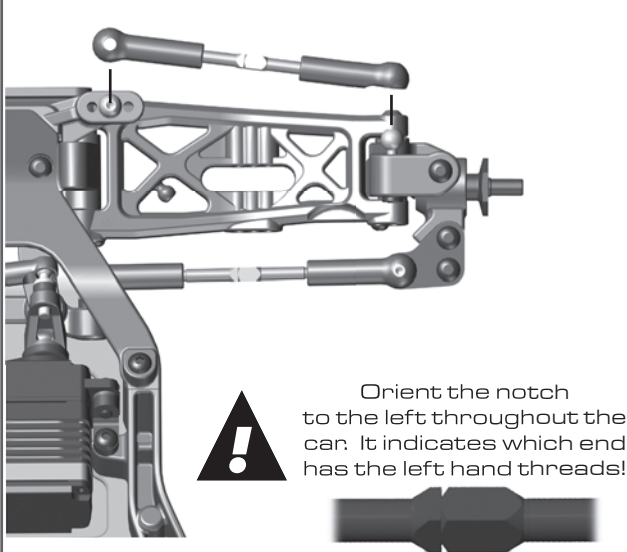
Use black grease (#6588) on the threads of the turnbuckles for easier ball cup installation!

**Steering Turnbuckle
28.75mm**



Build x2 (right and left side)

:: Bag 17 - Step 2



**91722
Ball Cup**

**91723
Turnbuckle
3x48mm**

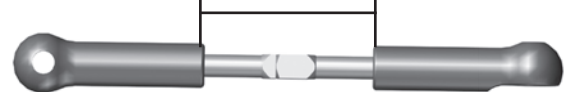
**91722
Ball Cup**



Racers Tip:

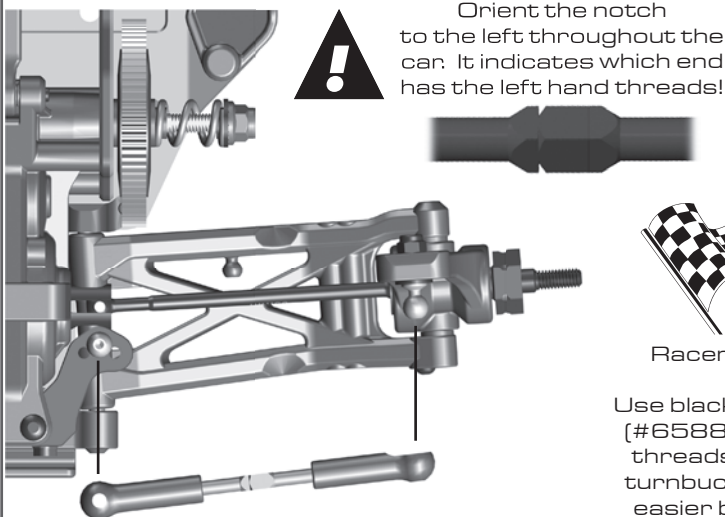
Use black grease (#6588) on the threads of the turnbuckles for easier ball cup installation!

**Front Camber Turnbuckle
22.75mm**



Build x2 (right and left side)

:: Bag 17 - Step 3



**91722
Ball Cup**

**91723
Turnbuckle
3x48mm**

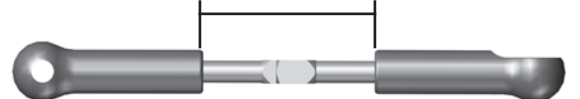
**91722
Ball Cup**



Racers Tip:

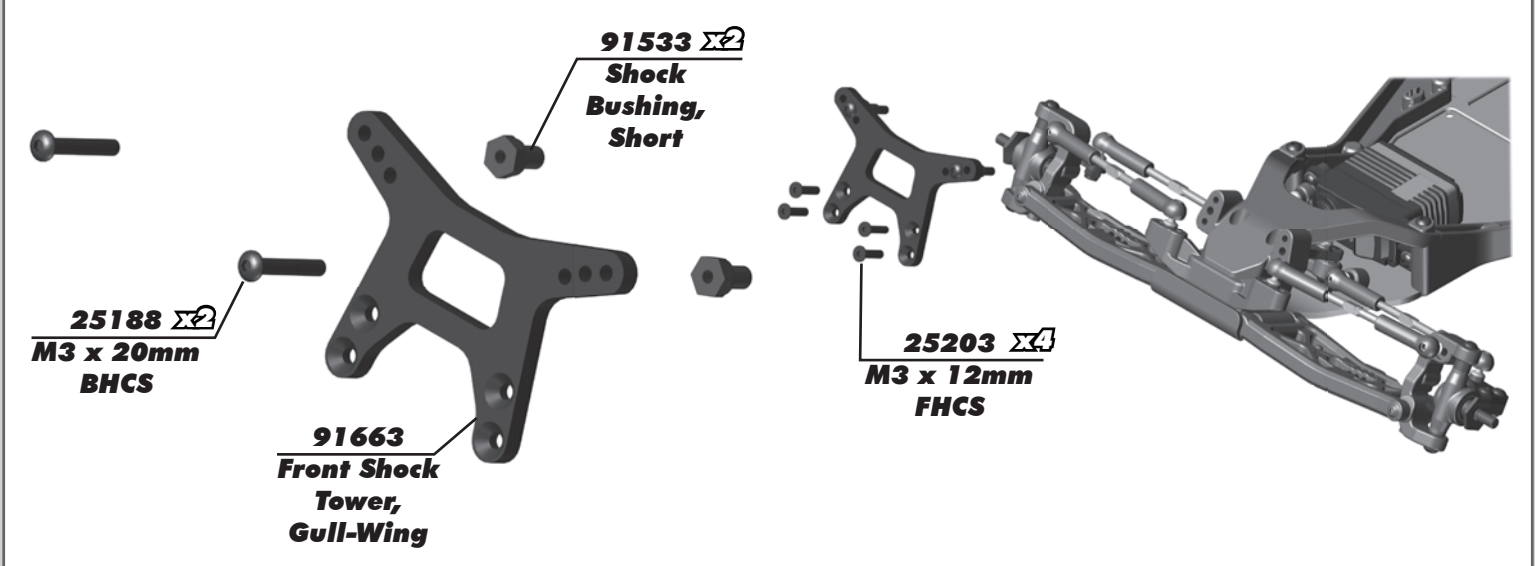
Use black grease (#6588) on the threads of the turnbuckles for easier ball cup installation!

**Rear Camber Turnbuckle
27.00mm**

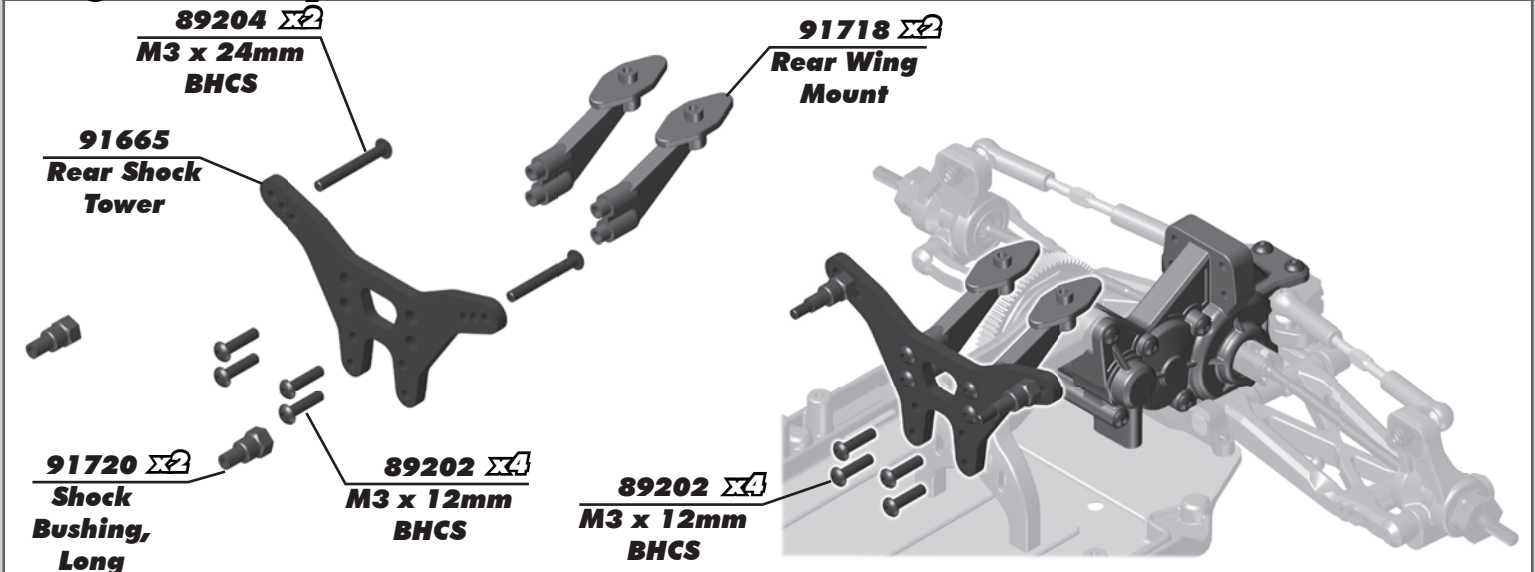


Build x2 (right and left side)

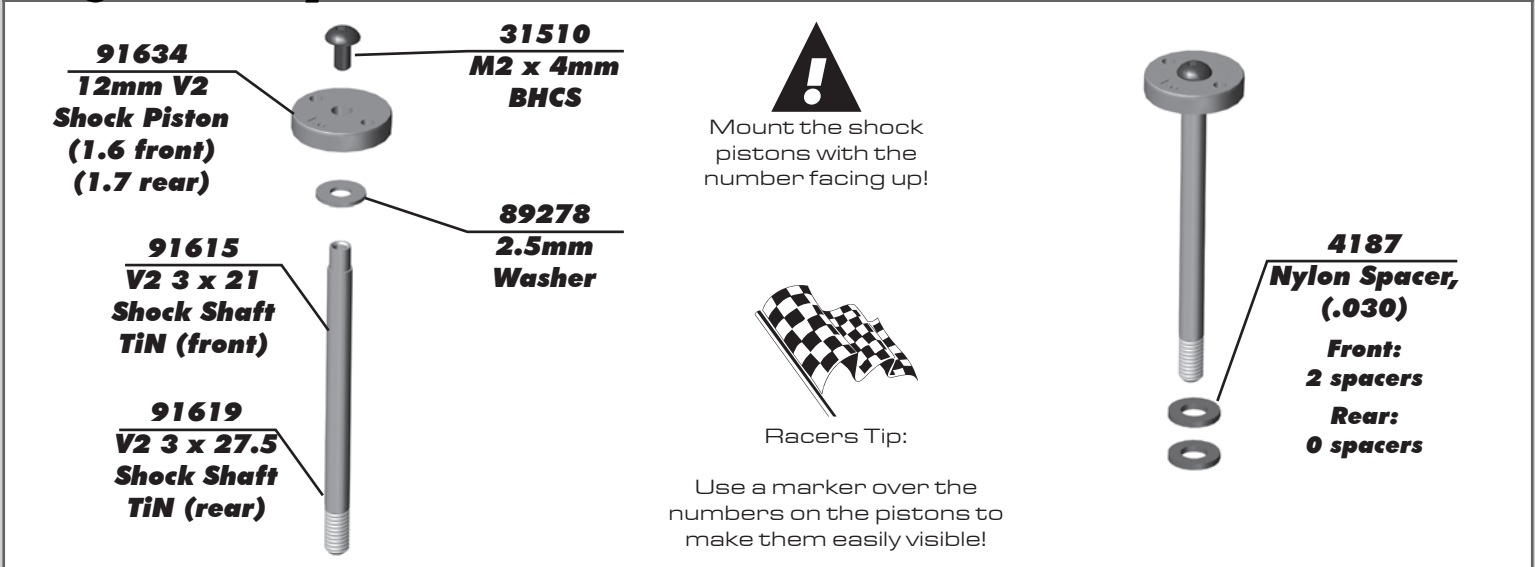
:: Bag 18-19 - Step 1



:: Bag 18-19 - Step 2



:: Bag 20-22 - Step 1



:: Bag 20-22 - Step 2

91480
12x23mm V2 Shock Bodies (front)

91481
12x27.5mm V2 Shock Bodies (rear)

91493
X-Ring

91495
V2 Shock Spacer

91495
V2 Shock Hat Bushing

91491
12mm Shock Cap O-Ring

31327
VCS3 Shock Bottom Cap O-Ring

31327
VCS3 Shock Bottom Cap

!
Lightly rub shock oil on the o-ring before installation!

!
There is a short and long shock eyelet. Front shocks use the long eyelet, rear shocks use the short eyelet.

#1105 green slime

91721
Shock Eyelet
Front Shocks - Long
Rear Shocks - Short

91721
Shock Pivot Ball

Short / Long

Racers Tip:
Coating the o-rings with green slime (# 1105) helps seal & reduce o-ring swell! **Green slime not included in kit!**

:: Bag 20-22 - Step 3

91449
12mm Shock Cap

91492
M2 x 4mm BHCS

Stroke
Front: 20mm
Rear: 28mm

Shock Bleeding Steps:

1. Before assembly, get each bleed screw and thread it 1-2 turns into the shock cap, then remove the screw. This will make it easier when you are bleeding your shocks.
2. Pull shock shaft down.
3. Fill shock body $\frac{3}{4}$ full with silicone shock fluid.
4. Slowly move the shock shaft up and down to remove air from under the piston.
5. Wait for bubbles to come to surface.
6. Fill shock body to top with silicone shock fluid.
7. Place a drop of oil in the cap and on cap threads.
8. Install cap (without bleed screw) and tighten completely.
9. Slowly compress shaft all the way to bleed excess silicone shock fluid out the hole in the cap (use rag around shock to catch excess fluid).
10. Install M2x4mm button head screw until snug while shaft is fully compressed.

Shock fluid

Front Shock: 37.5 wt #5433
Rear Shock: 30 wt #5422

Steps 2-3 **Steps 4-5** **Steps 6-7** **Step 8** **Steps 9-10**

:: Bag 20-22 - Step 4

91304
12mm Threaded Collar O-ring

91304
12mm Threaded Collar

91333
12mm Front Spring, Orange (4.05lb)

91339
12mm Rear Spring, Blue (2.30lb)

#91310 12mm Shock Spring Cups
0mm 5mm 9mm

91310
12mm shock spring cup (Front - 5mm Rear - 0mm)

Front: 5.00mm
Rear: 1.00mm

Build x2 front and x2 rear shocks

Racers Tip:
Use your finger to rub shock oil on the o-ring for smoother adjustment!

:: Bag 20-22 - Step 5

!
Use outside hole in front arm!

91447 Shock Bushing

25188 M3 x 20mm BHCS

Build x2 (right and left side)

25612 M3 Locknut w/Flange

!
Use inside hole in rear arm!

91447 Shock Bushing

25187 M3 x 14mm BHCS

25612 M3 Locknut w/Flange

:: Bag 23 - Step 1

89218 3 x 8mm Washer

31532 M3 x 8mm BHCS

Motor not included!

!
See page 19 for gear mesh setting instructions!

Pinion / Setscrew not included!

:: Bag 24-26 - Step 1

ESC not included!

6727 Servo Tape

25225 M3 x 3mm Set Screw

6338 Antenna Tube & Cap

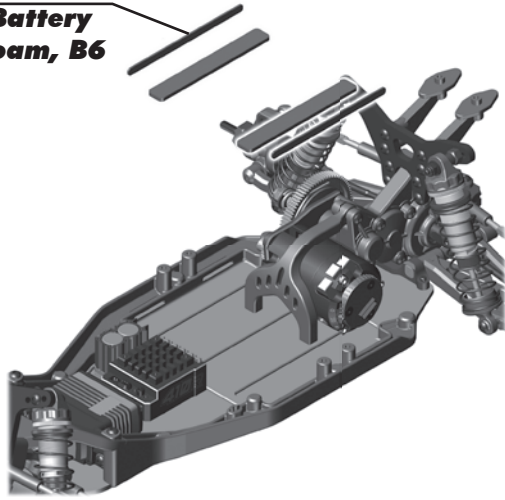
Receiver not included!

6727 Servo Tape

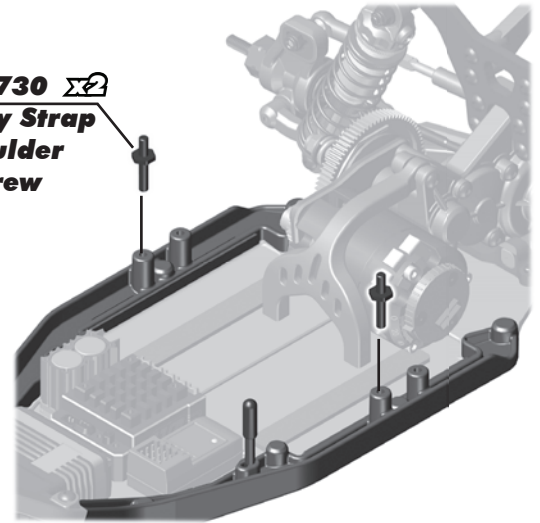
!
There are two options for mounting your antenna.

:: Bag 24-26 - Step 2

91734
Battery
Foam, B6

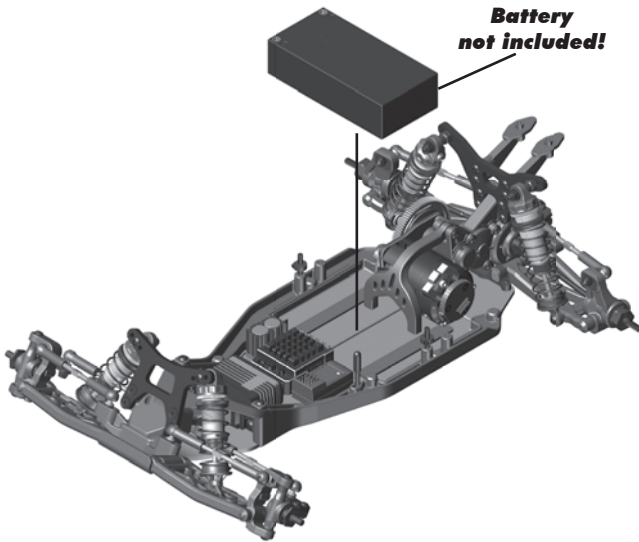


91730
Battery Strap
Shoulder
Screw



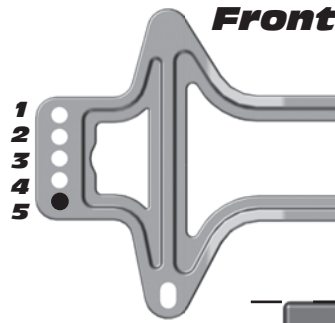
:: Bag 24-26 - Step 3

Battery
not included!

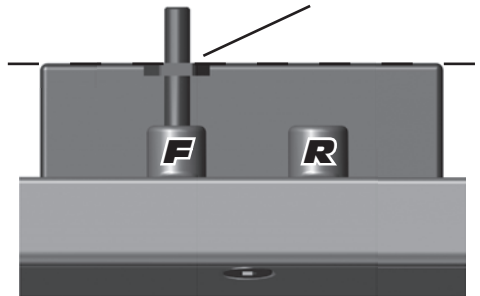


Front

- 1
- 2
- 3
- 4
- 5



Make sure the battery strap shoulder screw is flush with the top of your battery pack!



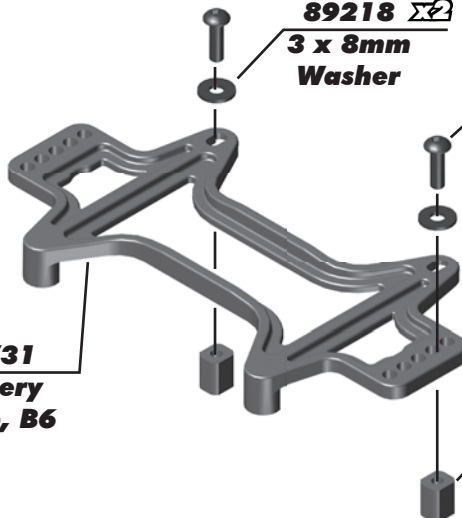
:: Bag 24-26 - Step 4

89218
3 x 8mm
Washer

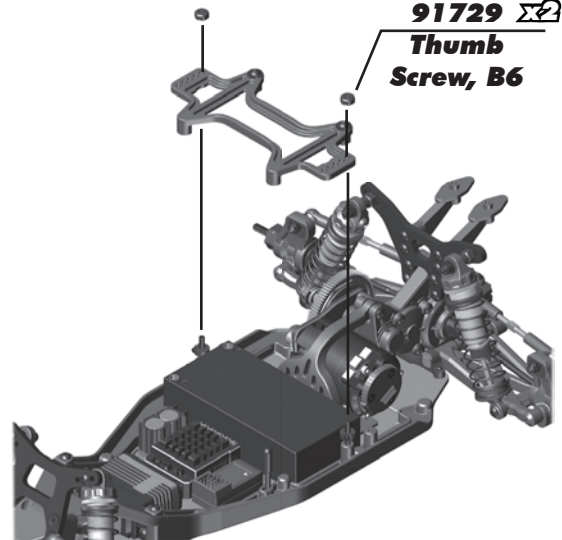
25211
M3 x 10mm
BHCS

91731
Battery
Strap, B6

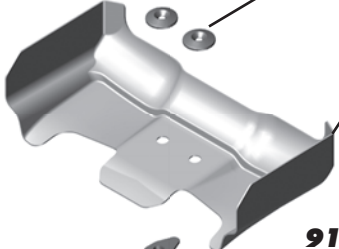
91731
Battery
Strap Nut,
B6





91729
Thumb
Screw, B6




:: Bag 24-26 - Step 5

25203  **M3 x 12mm FHCS**

91718  **Wing Button**

91741  **Wing, B6**

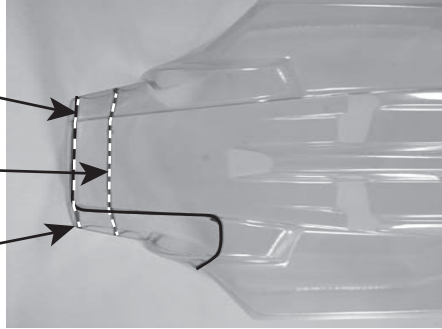
91718  **Wing Mount**

Body Trimming / Mounting:
 There are 3 body trimming options depending on what transmission and shock position you choose to run.

Cut Line A: Laydown Transmission / Rear Shocks mounted in rear of arm.
 Cut Line B: Laydown Transmission / Rear Shocks mounted in front of arm.
 Cut Line C: 3 Gear Stand Up Transmission.

0° - Mount under wing
 3° - Mount on top of wing
 6° - Mount under wing

Wing Mount



:: Bag 24-26 - Step 6

Wheels / Tires and Inserts are not included!

#1597 ca glue

Carefully apply ca glue (tire adhesive) to the tire bead on the side. Do one side at a time, allowing it to dry before gluing the other side!
CA glue not included!

Wheels / Tires and Inserts are not included!


#1597 ca glue


Build x2

Build x2



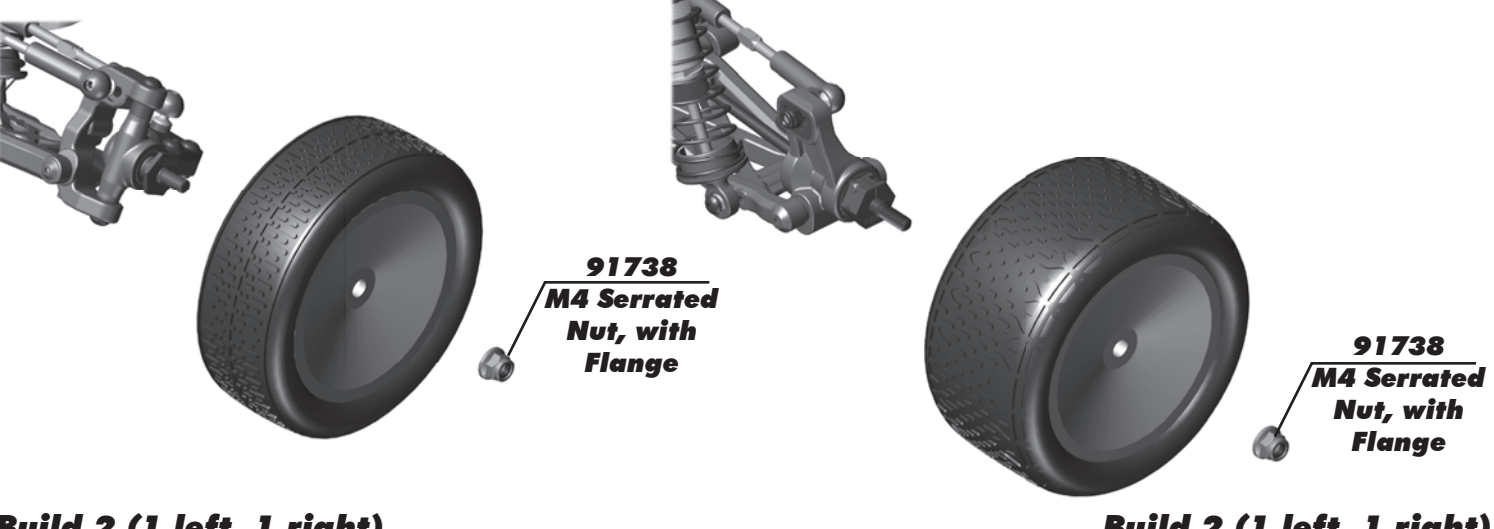
:: Bag 24-26 - Step 7

91738  **M4 Serrated Nut, with Flange**

91738  **M4 Serrated Nut, with Flange**

Build 2 (1 left, 1 right)

Build 2 (1 left, 1 right)



:: Painting Tips

Your B6 Team Kit comes with a clear polycarbonate body. You will need to prep the body before you can paint it. Wash the INSIDE thoroughly with warm water and liquid detergent (do not use any detergents with scents or added hand lotion ingredients!). Dry the body using a clean, soft, lint-free cloth. Use the supplied window masks to cover the windows from the INSIDE of the body (RC cars get painted on the inside). Using high quality masking tape, apply tape to the inside of the body to create a design. Spray (use either rattle can or airbrush) the paint on the inside of the body (preferably dark colors first, lighter colors last).

NOTE: ONLY use paint that is recommended for use with (polycarbonate) plastics. If you do not, you can destroy the plastic body!

After the paint has completely dried (usually after 24 hours), cut the body along the trim lines. Make sure to drill or use a body reamer to make the holes for the antenna if needed! Use hook and loop tape to secure the body to the side rails of the vehicle.

:: Tuning Tips

Tips for Beginners:

Before making any changes to the standard setup, make sure you can get around the track without crashing. Changes to your vehicle will not be beneficial if you can't stay on the track. Your goal is consistent laps.

Once you can get around the track consistently, start tuning your vehicle. Make only ONE adjustment at a time, testing it before making another change. If the result of your adjustment is a faster lap, mark the change on the included setup sheet (make additional copies of the sheet before writing on it). If your adjustment results in a slower lap, revert back to the previous setup and try another change.

When you are satisfied with your vehicle, fill in the setup sheet thoroughly and file it away. Use this as a guide for future track days or conditions. Periodically check all moving suspension parts. Suspension components must be kept clean and move freely without binding to prevent poor and/or inconsistent handling.

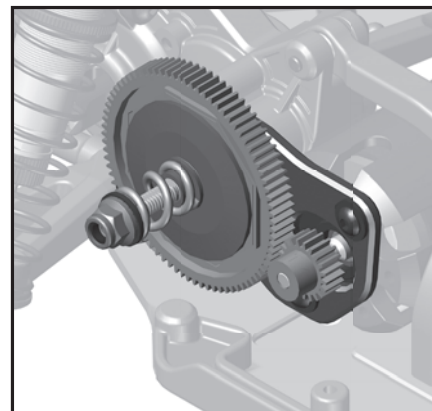
Motor Gearing:

Proper motor gearing will result in maximum performance and run time while reducing the chance of overheating and premature motor failure. The gear ratio chart lists recommended **starting gear ratios** for the most widely used motor types. Gear ratios will vary depending upon motor brand, wind, and electronic speed control. Consult your motor and electronic speed control manufacturers for more information.

Team Associated is not responsible for motor damage due to improper gearing.

B6 Gear Ratio Chart (Internal Gear Ratio 2.60:1)

Motor	Pinion	Spur	Final Drive Ratio
17.5 Reedy Sonic Brushless	31	69	5.79:1
13.5 Reedy Sonic Brushless	30	75	6.50:1
10.5 Reedy Sonic Brushless	24	78	8.45:1
9.5 Reedy Sonic Brushless	23	78	8.82:1
8.5 Reedy Sonic Brushless	22	78	9.22:1
7.5 Reedy Sonic Brushless	21	78	9.65:1
6.5 Reedy Sonic Brushless	20	78	10.14:1
3300kV Brushless	21	81	10.03:1
3900kV Brushless	21	81	10.03:1
4900kV Brushless	19	81	11.08:1
6100kV Brushless	18	81	11.70:1



Set The Gear Mesh:

You should be able to rock the spur gear back and forth in the teeth of the pinion gear without making the pinion gear move. If the spur gear mesh is tight, then loosen the #31532 screws and move the motor away, then try again. A gear mesh that is too tight or too loose will reduce power and damage the gear teeth.

:: Tuning Tips (cont.)

Gear Box Type:

Selecting the correct gear box is dependent on the type of track it will be used on. The optional 4 gear stand-up gear box is for the lowest grip conditions. This gear box moves the weight towards the rear of the car and also uses the rotation of the motor to transfer weight to the rear while on-power. The 3 gear stand-up gear box also moves the weight towards the rear of the car, but in this configuration, the motor's rotation helps with on-power steering. The lay-down gear box is used on high grip conditions when on-power steering and stability are most important. This gear box will change directions the quickest and generate the most steering.

Slipper Clutch:

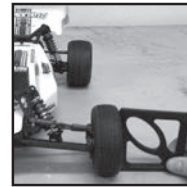
The assembly instructions give you a base setting for your clutch. Turn the nut on the shaft so that the end of the top shaft is even with the outside of the nut. At the track, tighten or loosen the nut in 1/8 turn increments until you hear a faint slipping sound for 1-2 feet on takeoffs. Another popular way to set the clutch is to hold both rear tires firmly in place and apply short bursts of throttle. If the clutch is properly set, the front tires should lift slightly up off the surface.

Caster:

Caster describes the angle of the caster block as it leans toward the rear of the vehicle. Positive caster means the kingpin leans rearward at the top. The B6 includes three inserts to adjust caster angle at the caster block, 0°, 2.5°, and +5°. The total caster angle is the sum of the kick-up angle and the caster block angle. Standard total caster angle for the B6 is 30°, with 25° kick-up and +5° caster block angle. For less entry steering and more exit steering, try 0° caster block angle.

Front Camber:

Camber describes the angle at which the tire and wheel rides when looked at from the front. Negative camber means that the tire leans inward at the top. A good starting camber setting is -1°. Positive camber, where the top of the tire is leaning out, is not recommended. Optional # 1719 camber gauge can be used to more accurately set camber.



*Testing camber with camber gauge

Rear Camber:

Camber describes the angle at which the tire and wheel rides when looked at from the back. Negative camber means that the tire leans inward at the top. A good starting camber setting is -1°. Adding a small amount of positive camber, where the top of the tire is leaning out, will tend to improve straight-line acceleration on loose tracks. Optional # 1719 camber gauge can be used to more accurately set camber.

Front Camber Links:

Changing the length of the camber link is considered a bigger step than adjusting the ball end height on the tower. Shortening the camber link (or lowering the ball end) will give the front end less roll and quicken steering response. Lengthening the camber link (or raising the ball end) will give the front more roll and slower steering response. Longer camber links are typically used on high grip tracks and shorter links tend to work better on medium-grip loose tracks.



*Raise or lower the ball end by adding or removing washers here

Rear Camber Link:

Changing the length of the camber link is considered a bigger step than adjusting the ball end height on the rear chassis brace. Shortening the camber link (or lowering the ball end) will give the rear end less roll and the car will tend to accelerate or "square up" better. Lengthening the camber link (or raising the ball end) will give the rear more roll and more cornering grip. Longer camber links are typically used on high grip tracks, while shorter links tend to work better on medium grip loose tracks. The kit setting is the best compromise of cornering grip and acceleration.



*Raise or lower the ball end by adding or removing washers here

:: Tuning Tips

Ackermann:

Ackermann is the angle difference between the front wheels when they are turned to steer the car. For minimal tire slip, it is standard for the inside wheel to steer to a greater angle than the outside wheel. The B6 allows Ackermann adjustments by changing the washer thickness used behind the steering rack ballstuds. The kit setup uses 2mm washers and is most common for racing conditions. If corner entry steering is too aggressive, try increasing the Ackermann by removing shims from behind the steering rack ballstuds. Increasing the Ackermann will increase the angle difference of the front wheels when steered, resulting in a more stable car on corner entry.

Kickup:

Kickup is the angle the front suspension arm mounts at where the front of the arm is higher than the rear. The standard kickup angle for the B6 is 25°, and is most common. If more corner entry steering is desired, try the included 30° front bulkhead.

Axle Height:

Axle height is used to keep roll centers similar when large ride height changes are made. As a rule of thumb, high axle heights are used for lower ride heights (< 20mm) and low axle heights are used for higher (> 22mm) ride heights. The idea is to keep the arms close to level at ride height.

Ride Height:


Ride height is the distance from the ground to the bottom of the chassis. The standard front ride height setting is 19mm (Ride Height Gauge # 1449). Check the front ride height by lifting up the entire car about 8-12 inches off the bench and dropping it. After the suspension "settles" into place, measure ride height (Ride Height Gauge # 1449). Raise or lower the shock collars as necessary.

The rear ride height setting you should use most often is 19mm (Ride Height Gauge # 1449). Check the rear ride height by lifting up the entire car about 8-12 inches off the bench and drop it. After the suspension "settles" into place, measure ride height (Ride Height Gauge # 1449). Raise or lower the shock collars as necessary.

Wheelbase Adjustment:

You have three options for rear hub spacing, Forward, Middle, & Back. The kit setting of Middle is the most neutral, and will be used most often. For improved handling in bumps or rhythm sections, try moving the hubs to the Back position. Hub forward is typically used on low grip or where there are lots of tight corners.



 *Spacers to the rear will place hubs forward, shortening the wheelbase

Anti-Roll Bars:

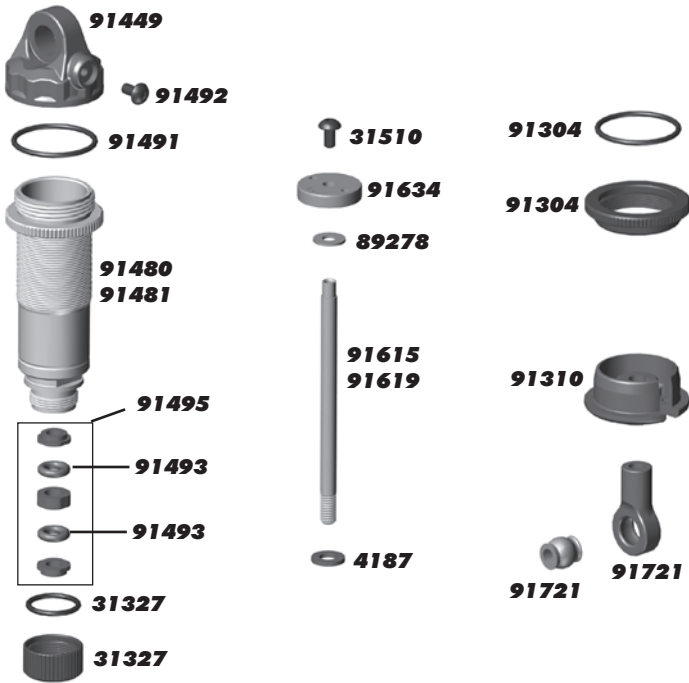
The optional #91735 and 91736 anti-roll bar kits (also called the "swaybar") allows you to add roll resistance to the front and/or rear end with minimal effect on handling over bumps and jumps. It is an especially helpful tuning item on high-grip tracks.

Shock Mounting Position:

There are two positions for mounting the rear shocks. Mounting the shocks on the front of the arm reduces rear weight bias. This causes the car to turn quicker and also steer more on-power. Usually this is used on high bite tracks in order to keep the car steering while applying throttle. Front mounted shocks can only be used with the #91708 lay-down gear box. Mounting the shocks on the rear of the arm increases rear weight bias and keeps the rear end planted while making the steering radius larger. This setting is typically easier to drive and will produce more rear traction and can be used with any gear box configuration.

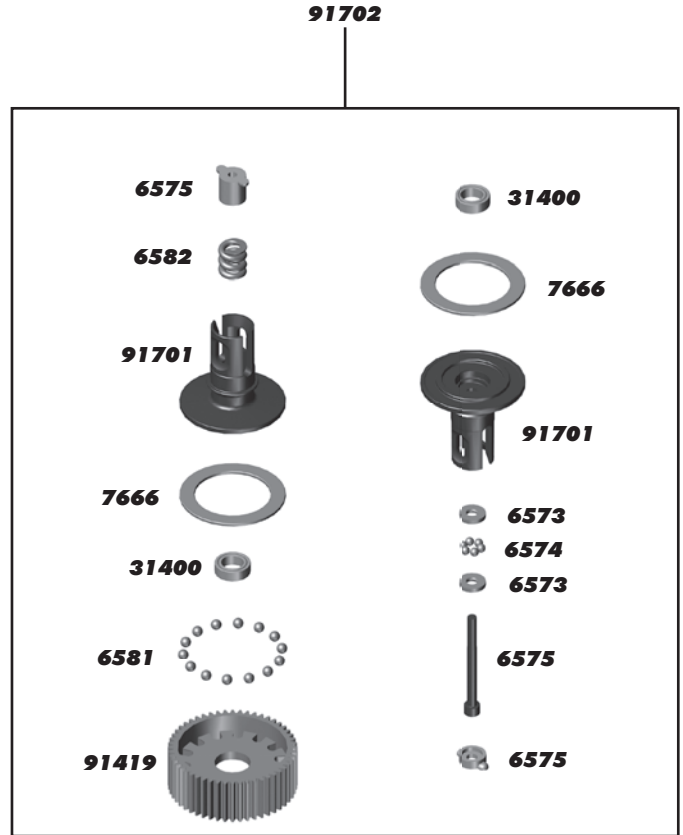
:: Shocks

4187	.030 Nylon Washer	12
31327	VCS3 Shock Bottom Cap and O-Ring	2 ea.
31510	2x4mm BHCS	6
89278	2.5mm Washer	20
91304	12MM Threaded Collar and O-Ring	2
91310	12MM Shock Spring Cups (+0mm, +5mm, +9mm)	4 ea.
91449	12MM V2 Composite Shock Cap w/O-ring and bleeder screw	4
91480	12x23MM V2 Shock Bodies	2
91481	12x27.5MM V2 Shock Bodies	2
91491	12MM V2 Shock Rebuild Kit	1
91492	M2 x 4mm BHCS with Washer	2
91493	FT Low Friction X-Rings	8
91495	12 mm V2 X-Ring Rebuild Kit	1
91615	3 x 21mm Shock Shaft (V2), TiN	2
91619	3 x 27.5mm Shock Shaft (V2), TiN	2
91634	12mm V2 Shock Pistons (2x1.5, 2x1.6, 2x1.7)	4 ea.
91721	Shock Eyelets w/Pivot Ball, B6	4 ea.



:: Optional Ball Differential

1733	Diff Shims	8
6573	Diff Thrust Washer & Bolt	2
6574	Precision Diff Thrust Balls, 5/64"	6
6575	Locking T-Nut, Diff Thrust Bolt, & Cover	1
6581	3/32" Carbide Diff Balls	12
6582	Diff Thrust Spring	1
7666	Diff Drive Rings, 2.60:1	2
7677	Ball Diff Rebuild Kit	1
31400	Bearing, 5 x 8mm	2
91419	Diff Gear, B5	1
91701	Ball Diff Outdrive, B6	1 ea.
91702	Ball Diff Kit, B6	1



:: Shock Springs

91325	12MM Front SPRING BRN 2.85	Pr.
91326	12MM Front SPRING BLK 3.00	Pr.
91327	12MM Front SPRING GRN 3.15	Pr.
91328	12MM Front SPRING WHT 3.30	Pr.
91329	12MM Front SPRING GRY 3.45	Pr.
91330	12MM Front SPRING BLU 3.60	Pr.
91331	12MM Front SPRING YLW 3.75	Pr.
91332	12MM Front SPRING RED 3.90	Pr.
91333	12MM Front SPRING ORN 4.05 - Kit	Pr.
91334	12MM Front SPRING PRL 4.20	Pr.
91335	12MM Rear SPRING BLK 1.90	Pr.
91336	12MM Rear SPRING GRN 2.00	Pr.
91337	12MM Rear SPRING WHT 2.10	Pr.
91338	12MM Rear SPRING GRY 2.20	Pr.
91339	12MM Rear SPRING BLU 2.30 - Kit	Pr.
91340	12MM Rear SPRING YLW 2.40	Pr.
91341	12mm Big Bore Front Soft Spring Kit	1
91342	12mm Big Bore Front Medium Spring Kit	1
91343	12mm Big Bore Front Hard Spring Kit	1
91344	12mm Big Bore Rear Soft Spring Kit	1
91345	12mm Big Bore Rear Medium Spring Kit	1



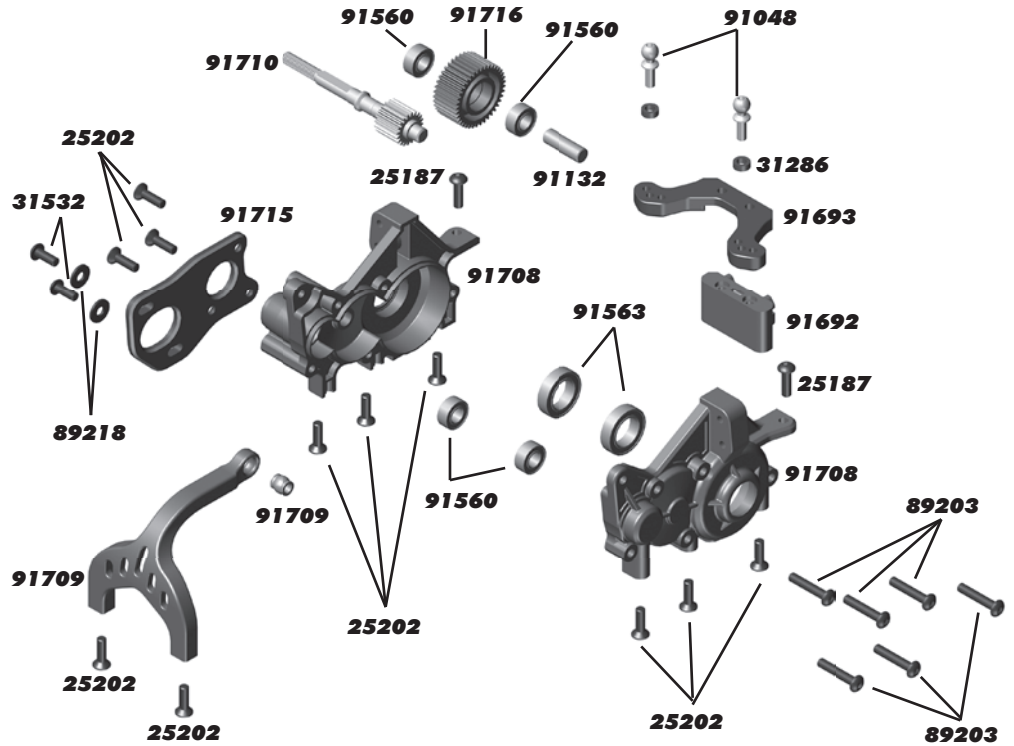
:: Shock Fluid

5420	10 Weight Silicone Shock Fluid	2oz.
5421	20 Weight Silicone Shock Fluid	2oz.
5422	30 Weight Silicone Shock Fluid	2oz.
5423	40 Weight Silicone Shock Fluid	2oz.
5424	22.5 Weight Silicone Shock Fluid	2oz.
5425	80 Weight Silicone Shock Fluid	2oz.
5426	27.5 Weight Silicone Shock Fluid	2oz.
5427	15 Weight Silicone Shock Fluid	2oz.
5428	25 Weight Silicone Shock Fluid	2oz.
5429	35 Weight Silicone Shock Fluid	2oz.
5430	45 Weight Silicone Shock Fluid	2oz.
5431	55 Weight Silicone Shock Fluid	2oz.
5432	32.5 Weight Silicone Shock Fluid	2oz.
5433	37.5 Weight Silicone Shock Fluid	2oz.
5434	42.5 Weight Silicone Shock Fluid	2oz.
5435	50 Weight Silicone Shock Fluid	2oz.
5436	60 Weight Silicone Shock Fluid	2oz.
5437	70 Weight Silicone Shock Fluid	2oz.
5438	47.5 Weight Silicone Shock Fluid	2oz.



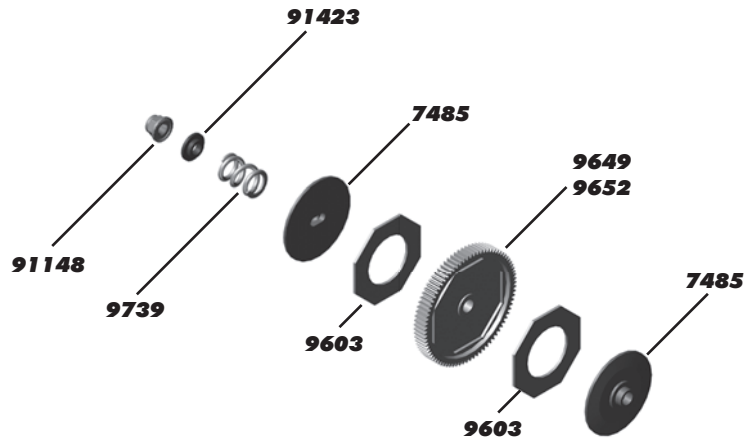
:: Transmission

25187	M3 x 14mm BHCS	20
25202	M3 x 10mm FHCS	20
31286	Ball Stud Washers, Alum. (1mm, 2mm)	4 ea.
31532	M3 x 8mm BHCS	6
89203	M3 x 16mm BHCS	10
89218	3 x 8mm Washer	10
91048	Heavy-duty Ballstud, 8mm	8
91132	FT 4x4 Idler Gear Shaft	2
91560	FT Bearings, 5x10x4mm	4
91563	FT Bearings, 10x15x4mm	4
91692	Rear Gearbox Brace, B6	1
91693	Rear Ball Stud Mount, B6	1
91708	Lay Down Gear Box	Pr.
91709	Chassis Brace, B6	1
91710	Top Shaft, B6	1
91715	Lay Down Motor Plate, B6	1
91716	Idler Gear, 39T	1



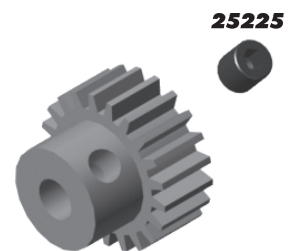
:: Slipper Clutch

7485	FT V2 Slipper Hubs	2
9603	Slipper Pad	2
9648	69T 48P Spur Gear	1
9649	72T 48P Spur Gear (Kit)	1
9650	75T 48P Spur Gear	1
9651	81T 48P Spur Gear	1
9652	78T 48P Spur Gear (Kit)	1
9653	84T 48P Spur Gear	1
9739	Slipper Spring	1
91148	M4 Locknut, w/flange and knurl	4
91423	Slipper Spring Adapter	2



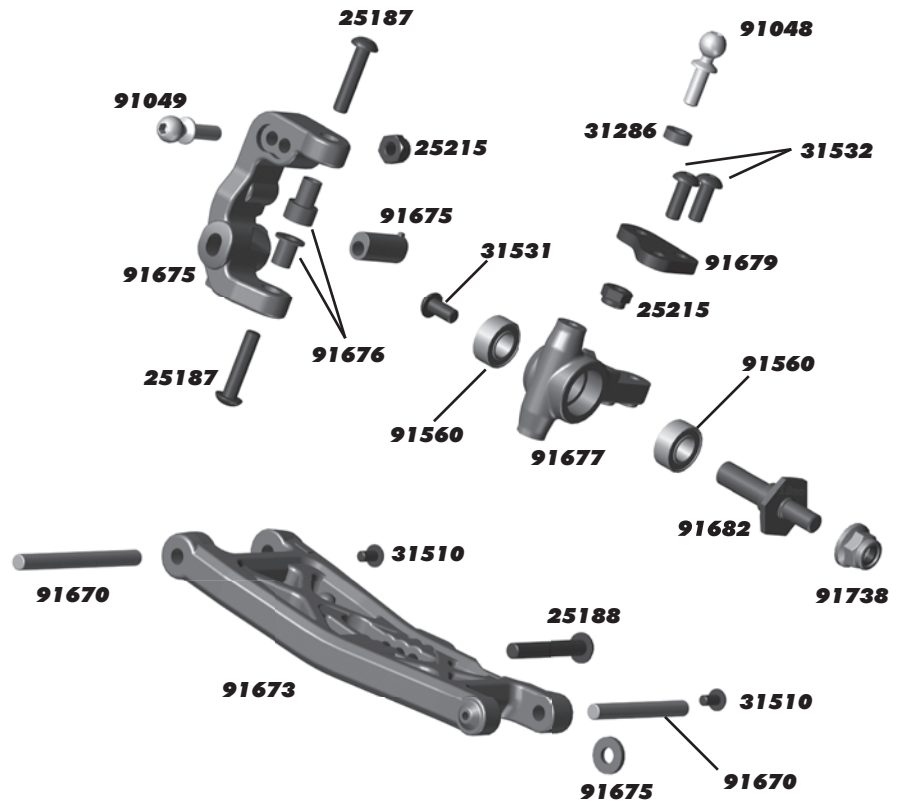
:: Pinion Gears

1335	17T 48P Aluminum Pinion Gear	1	1349	31T 48P Aluminum Pinion Gear	1
1336	18T 48P Aluminum Pinion Gear	1	1350	32T 48P Aluminum Pinion Gear	1
1337	19T 48P Aluminum Pinion Gear	1	1351	33T 48P Aluminum Pinion Gear	1
1338	20T 48P Aluminum Pinion Gear	1	1352	34T 48P Aluminum Pinion Gear	1
1339	21T 48P Aluminum Pinion Gear	1	1353	35T 48P Aluminum Pinion Gear	1
1340	22T 48P Aluminum Pinion Gear	1	25225	M3 x 3mm Set Screw	20
1341	23T 48P Aluminum Pinion Gear	1			
1342	24T 48P Aluminum Pinion Gear	1			
1343	25T 48P Aluminum Pinion Gear	1			
1344	26T 48P Aluminum Pinion Gear	1			
1345	27T 48P Aluminum Pinion Gear	1			
1346	28T 48P Aluminum Pinion Gear	1			
1347	29T 48P Aluminum Pinion Gear	1			
1348	30T 48P Aluminum Pinion Gear	1			



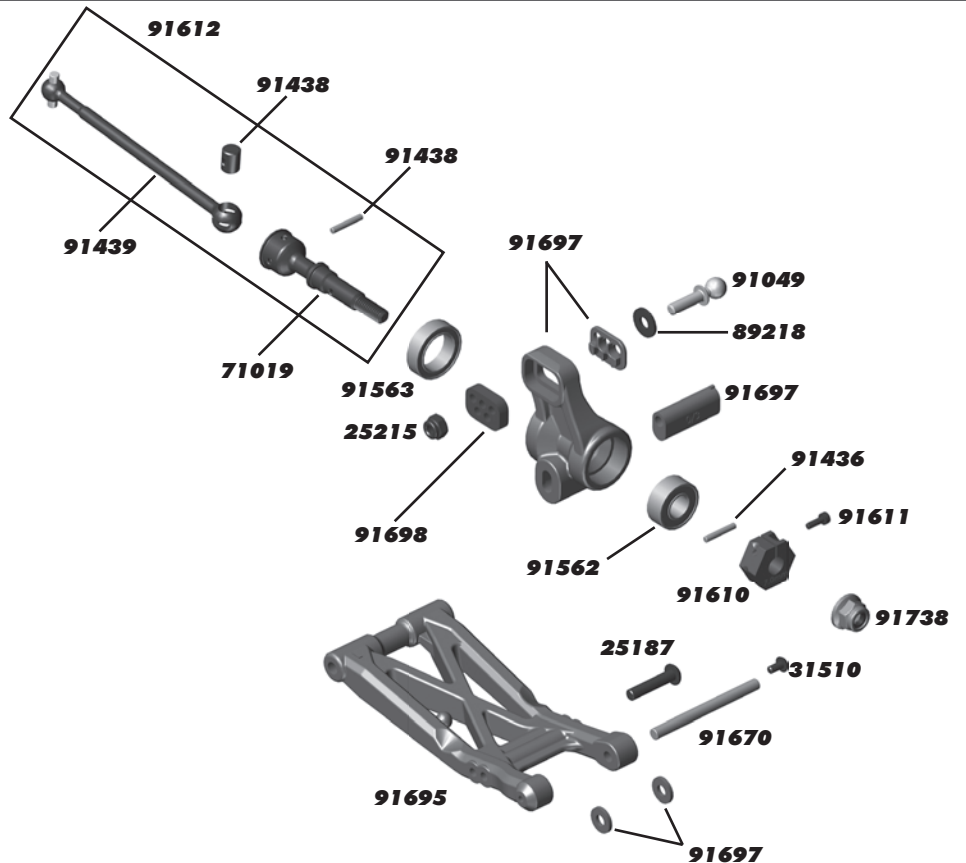
:: Front Arm

25187	M3 x 14mm BHCS	20
25188	M3 x 20mm BHCS	20
25215	M3 Locknut, Black	20
31286	FT Ballstud Washer, aluminum (1mm, 2mm)	4 ea.
31510	M2 x 4mm BHCS	6
31531	M3 x 6mm, BHCS	6
31532	M3 x 8mm, BHCS	6
91048	Heavy-duty Ballstud, 8mm	8
91049	Heavy-duty Ballstud, 10mm	8
91560	FT Bearing, 5 x 10 x 4	4
91670	Hinge Pin Set, B6	1
91673	Front Arm, Gull-Wing, B6	2
91675	Caster Block, B6	Pr.
91676	Caster Hat Bushing, B6 (0mm, 1mm, 2mm, 3mm)	2 ea.
91677	Steering Block, B6	Pr.
91679	Steering Block Arm, B6	2
91682	Front Axle, B6	2
91738	M4 Serrated Nut w/ Flange	4



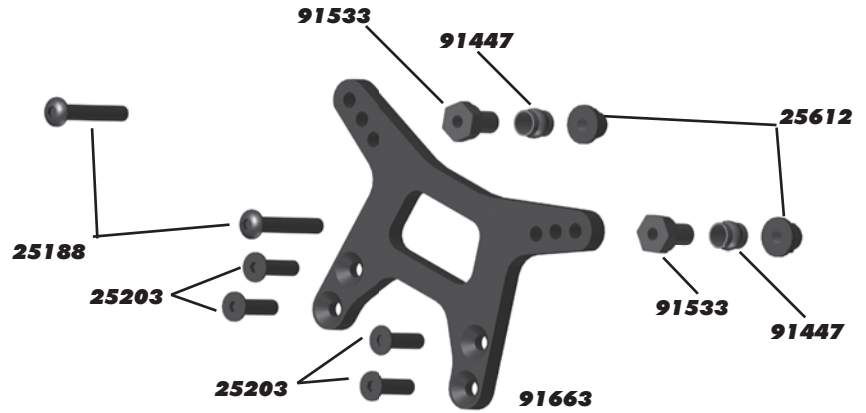
:: Rear Arm

25187	M3 x 14mm BHCS	20
25215	M3 Locknut, Black	20
31510	M2 x 4mm BHCS	6
71019	HD CVA Axle	2
89218	Washer, 3 X 8mm	10
91049	Heavy-duty Ballstud, 10mm	8
91436	CVA/Wheel Hex Pin, B5	4
91438	CVA Rebuild Kit, B5	1
91439	CVA Bone, B5	1
91562	FT Bearing, 6 x 13 x 5	4
91563	FT Bearing, 10 x 15 x 4	4
91610	Clamping Wheel Hex, 7mm	2
91611	M1.6 x 8mm SHCS	4
91612	HD CVA Kit	2
91670	Hinge Pin Set, B6	1
91695	Rear Arm, B6	Pr.
91697	Rear Hub w/Inserts, B6	Pr.
91698	Rear Hub Link Nut, B6	2
91738	M4 Serrated Nut w/ Flange	4



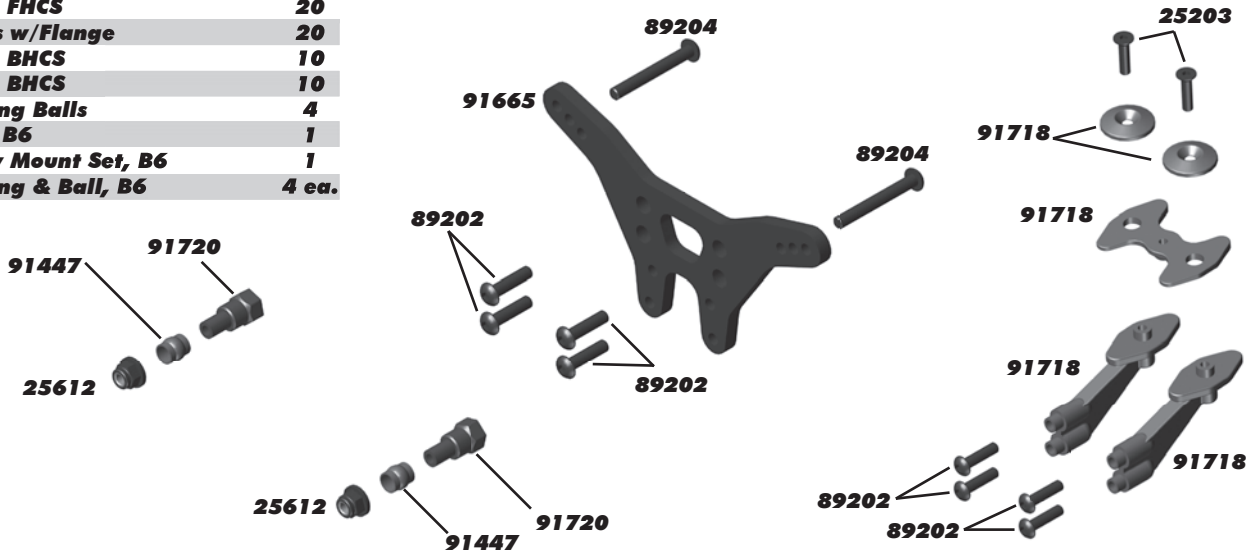
:: Front Shock Tower

25188	M3 x 20mm BHCS	20
25203	M3 x 12mm FHCS	20
25612	M3 Locknuts w/Flange	20
91447	Shock Bushing Balls	4
91533	Shock Bushings, Short w/Balls	4 ea.
91663	Front Tower, Gull-Wing, B6	1



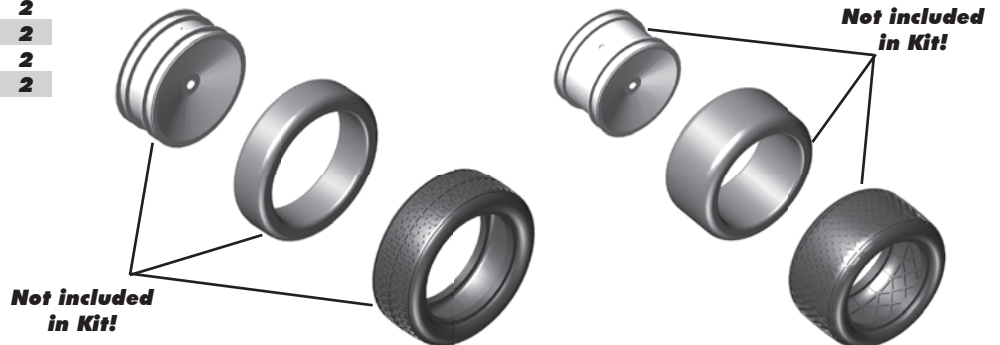
:: Rear Shock Tower

25203	M3 x 12mm FHCS	20
25612	M3 Locknuts w/Flange	20
89202	M3 x 12mm BHCS	10
89204	M3 x 24mm BHCS	10
91447	Shock Bushing Balls	4
91665	Rear Tower, B6	1
91718	Wing / Body Mount Set, B6	1
91720	Shock Bushing & Ball, B6	4 ea.



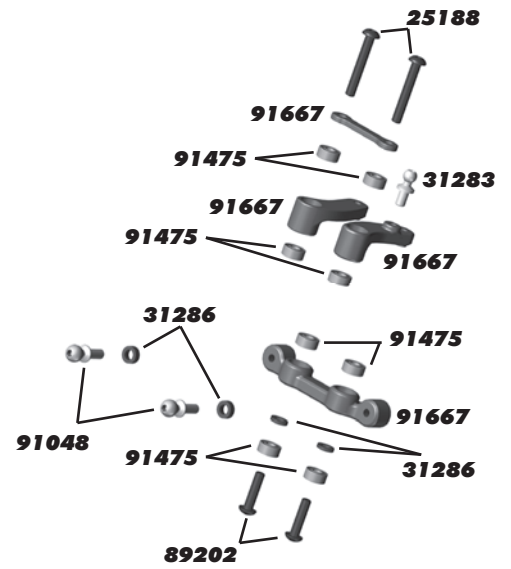
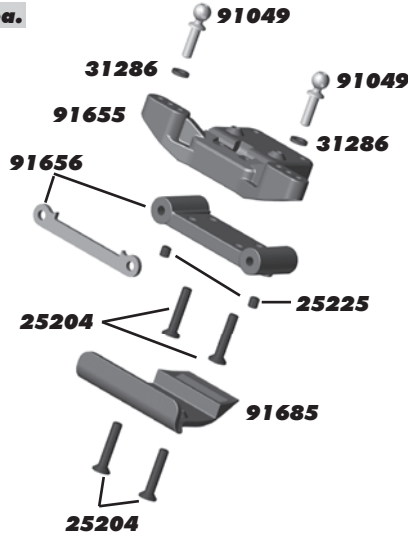
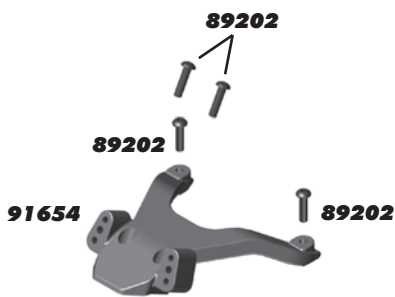
:: Wheels

9690	Buggy Front Wheel, hex, white	2
9691	Buggy Front Wheel, hex, yellow	2
9695	Buggy Rear Wheel Hex, white	2
9696	Buggy Rear Wheel Hex, yellow	2
91570	61mm Buggy Rear Wheel, White	2
91571	61mm Buggy Rear Wheel, Yellow	2
91572	61mm Buggy Front Wheel, White	2
91573	61mm Buggy Front Wheel, Yellow	2



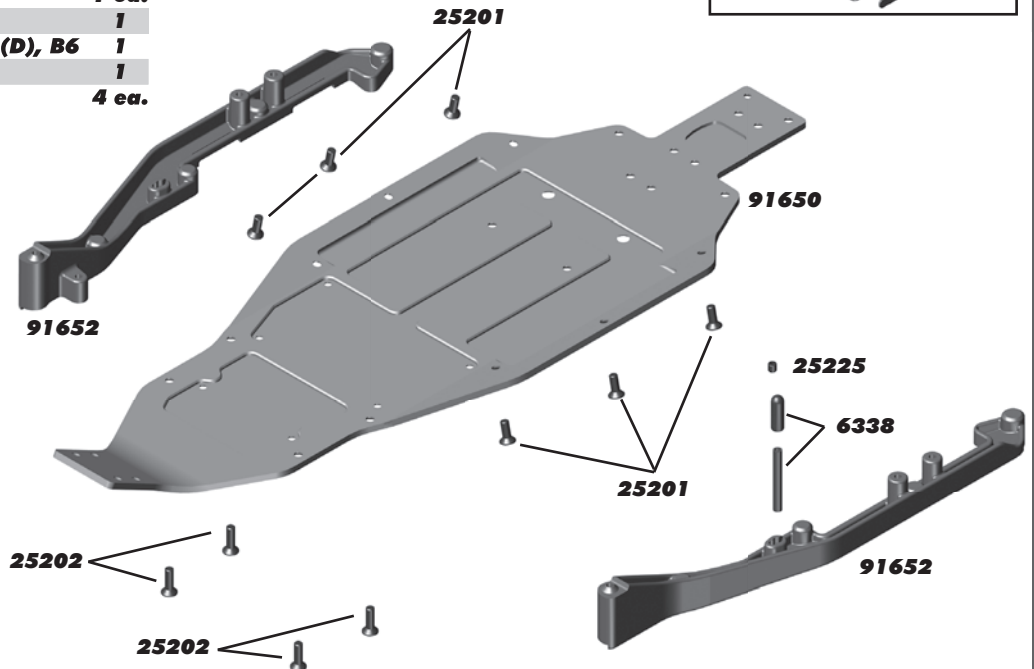
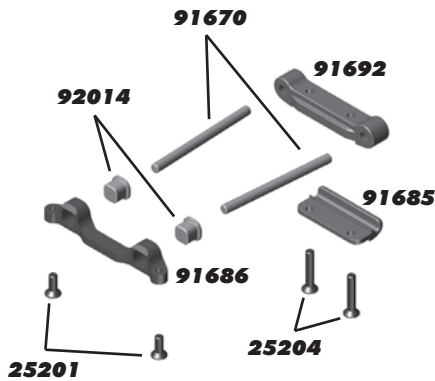
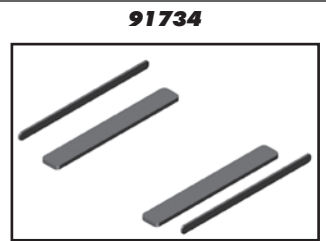
:: Front Bulkhead / Steering

25188	M3 x 20mm BHCS	20
25204	M3 x 16mm FHCS	20
25225	M3 x 3mm Set Screw	20
31283	Ball Studs, Long, 5mm	6
31286	FT Ball Stud Washer, aluminum (1mm, 2mm)	4 ea.
89202	M3 x 12mm BHCS	10
91048	Heavy-duty Ballstud, 8mm	8
91049	Heavy-duty Ballstud, 10mm	8
91475	3x7x3 Ball Bearing	8
91654	Top Plate, B6	1
91655	Front Ball Stud Mount, B6	1
91656	Bulkhead, B6	1
91667	Steering Assembly, B6	1
91685	Bumpers, B6	1 ea.



:: Chassis

6338	Antenna Tube & Cap (black)	1
25201	M3 x 8mm FHCS	20
25202	M3 x 10mm FHCS	20
25204	M3 x 16mm FHCS	20
25225	M3 x 3mm Set Screw	20
91650	Chassis, B6	1
91652	Side Rails, B6	Pr.
91670	Hinge Pin Set, B6	1
91685	Bumpers, B6	1 ea.
91686	Aluminum Arm Mount (C), B6	1
91692	Rear Gear Box Brace, Arm Mount (D), B6	1
91734	Battery Foam, B6	1
92014	Arm Mount Inserts	4 ea.



:: Factory Team and Option Parts

7495	Vented V2 Slipper Hubs	2
31286	FT Ballstud Washer, aluminum (1mm, 2mm)	4 ea.
91175	FT VTS Slipper Conversion	1
91176	VTS Slipper Housing	1
91177	VTS Slipper Pads	2
91178	VTS Slipper Plate	1
91179	FT VTS Slipper Hub, outer	1
91389	Arm Mount Insert (D), B5	1
91447	Shock Bushing Ball	4
91450	12mm V2 Aluminum Shock Cap (2 screws, 2 bleeder gaskets, and 2 o-rings)	2
91492	12mm V2 Bleeder Gasket/Screw	1
91495	12mm V2 X-Ring Rebuild Kit (4 clear x rings, 2 spacers, 4 hat bushings)	1
91548	RC10B5 Aluminum Rear Hubs (Blue)	Pr.
91549	RC10B5 Aluminum Rear Hubs (Black)	Pr.
91550	RC10B5 Rear Hub Bearing Inserts Use with #91548, or #91549	2 ea.
91553	Factory Team Bearing Kit, B5, B5M	1
91580	Titanium Screws, 3x6mm BHCS	4
91581	Titanium Screws, 3x8mm BHCS	4
91582	Titanium Screws, 3x10mm BHCS	4
91583	Titanium Screws, 3x12mm BHCS	4
91584	Titanium Screws, 3x14mm BHCS	4
91585	Titanium Screws, 3x16mm BHCS	4
91588	Titanium Screws, 3x22mm BHCS	4
91589	Titanium Screws, 3x24mm BHCS	4
91592	Titanium Screws, 3x8mm FHCS	4
91593	Titanium Screws, 3x10mm FHCS	4
91594	Titanium Screws, 3x12mm FHCS	4
91595	Titanium Screws, 3x14mm FHCS	4
91596	Titanium Screws, 3x16mm FHCS	4
91597	Titanium Screws, 3x18mm FHCS	4
91609	Clamping Wheel Hex, (5.0mm)	2
91612	RC10B5 HD CVA Kit	1
91658	RC10B6 Aluminum Front Bulkhead	1
91659	RC10B6 Brass Front Bulkhead	1
91663	RC10B5 Front Tower (Gull-Wing) - Req. #91673 or #91674	1
91668	RC10B6 Aluminum Steering Bell Crank	1
91669	RC10B6 Aluminum Steering Rack	1
91672	RC10B6 Flat Front Arm, Hard	Pr.
91673	RC10B6 Gull Front Arm - Req. #91663	Pr.
91674	RC10B6 Gull Front Arm, Hard - Req. #91663	Pr.
91683	RC10B6 Titanium Front Axle	2
91687	RC10B6 Brass Arm Mount (C)	1
91688	RC10B6 Aluminum Arm Mount (D)	1
91696	RC10B6 Rear Arm, Hard	Pr.
91703	RC10B6 Gear Diff Kit	1
91707	RC10B6 Stand-Up Gear Box, 4 Gear - Req. #91711, #91714	1
91708	RC10B6 Lay-Down Gear Box - Req. #91715, #91716	1
91711	RC10B6 Gear Cover, 4 Gear - Req. #91707, #91714	1
91714	RC10B6 Stand-Up Motor Plate, 4 Gear Req. #91707, #91711	1
91715	RC10B6 Lay-Down Motor Plate - Req. #91708, #91716	1
91716	RC10B6 Idler Gear, 39T - Req. #91708, #91715	2
91735	RC10B6 Front Anti-Roll Bar Kit	1
91736	RC10B6 Rear Anti-Roll Bar Kit	1
91745	RC10B6 Aluminum Chassis Weight (8g)	1
91746	RC10B6 Aluminum Chassis Weight (13g)	1
91747	RC10B6 Steel Chassis Weight (25g)	1
91748	RC10B6 Steel Chassis Weight (40g)	1
91749	M2 x 3mm FHCS - Use with Chassis Weights	6
91750	HD Titanium Ball Stud, 4mm	2
91751	HD Titanium Ball Stud, 6mm	2
91752	HD Titanium Ball Stud, 8mm	2
91753	HD Titanium Ball Stud, 10mm	2
91755	RC10B6 Titanium Screw Kit	1

:: Body and Decals

91739	RC10B6 Clear Body	1
91740	RC10B6 Lightweight Clear Body	1
91741	RC10B6 Wing	1
91742	RC10B6 Decal Sheet	1
91743	Adhesive Hook and Loop	1

:: Lubes & Adhesives / Decals / Misc.

1105	FT Green Slime Shock Lube	1
1596	FT Locking Adhesive	1
1597	FT Tire Adhesive, medium	1
6588	Black Grease - 4cc	1
6591	S.Diff Lube - 4cc	1
6636	Silicone Grease - 4cc	1
6727	Servo Tape	2
726	Reedy 2016 Sticker Set	1
3816	American Bumper Sticker	1
3820	AE Logo Decal Sheet	1
3834	AE Blue Embossed Logo Sticker	2
9787	FT Chassis Protective Sheet	1



:: Reedy Batteries

302	AA Alkaline 1.5V (4)	1
304	LiPo Pro TX/RX Battery 1600mAh 7.4V Flat	1
305	LiFe Pro TX/RX Battery 1300mAh 6.6V Flat	1
315	LiPo Pro TX/RX Battery 2100mAh 7.4V Flat	1
317	LiPo 50C 5200mAh 7.4V SQ	1
319	LiPo 70C 3900mAh 7.4V LP Shorty	1
322	LiPo 70C 5300mAh 7.4V Shorty	1
323	LiPo 50C 3400mAh 7.4V LP Shorty	1
637	LiPo TX Battery - M11X 2500mAh 7.4V	1
638	LiFe RX Battery 1700mAh 6.6V	1
639	LiPo RX Battery 1200mAh 7.4V	1
640	LiPo RX Battery 2300mAh 7.4V	1
738	Wolfpack LiPo 3800mAh 7.4V 25C Shorty	1

:: Reedy Chargers / Accessories

616	423-S AC 35W Compact Balance Charger	1
27200	1216-C2 Dual AC/DC Competition Battery Charger	1
27201	324-S AC LiPo/LiFe Compact Balance Charger	1
606	Charge Harness 2S Saddle Pack 4mm	1
607	Charge Harness 2S Standard Pack 4mm	1
609	TAM to T-Plug charge adapter	1
611	Charge Harness 2S Standard Pack 5mm	1
996	5.0mm 1S-2S Balance Charge lead w/SP Clip (4mm)	1
997	4.0mm 1S-2S Balance Charge lead w/SP Clip (4mm)	1
998	5.0mm 4S Balance Charge Lead (4mm)	1
999	Saddle Pack Balance Charge Clip	1
27220	7-in-1 Universal Charge Lead (4mm)	1
27221	T-plug Charge Lead (4mm)	1
27222	XH 2-6S Balance Board (4mm)	1
27223	RX Charger Lead FUT (4mm)	1
27224	US to IEC 320 C5 angle 1M AC Power Cord	1
27225	US to IEC 320 C5 angle .5M AC Power Cord	1
27226	EU to IEC 320 C5 angle 1M AC Power Cord	1
27227	UK to IEC 320 C5 angle 1M AC Power Cord	1
27228	AU to IEC 320 C5 angle 1M AC Power Cord	1
27229	CN to IEC 320 C5 angle 1M AC Power Cord	1

:: Reedy Motors / Spare Parts / Accessories

252	Sonic 540-M3 25.5	1
253	Sonic 540-M3 21.5	1
254	Sonic 540-M3 17.5	1
255	Sonic 540-M3 13.5	1
256	Sonic 540-M3 10.5	1
257	Sonic 540-M3 9.5	1
258	Sonic 540-M3 8.5	1
259	Sonic 540-M3 8.0	1
260	Sonic 540-M3 7.5	1
261	Sonic 540-M3 7.0	1
262	Sonic 540-M3 6.5	1
263	Sonic 540-M3 6.0	1
264	Sonic 540-M3 5.5	1
265	Sonic 540-M3 5.0	1
266	Sonic 540-M3 4.5	1
267	Sonic 540-M3 4.0	1
268	Sonic 540-M3 3.5	1
269	Sonic 540-M3 SS 17.5 1S	1
270	Sonic 540-M3 SS 13.5 1S	1
284	Sonic 540-M3 SS 21.5 1S	1
285	Sonic 540-M3 SS 10.5 1S	1
271	Sonic 540-M3 Spec Rotor 12.0 x 7.25 x 25.3	1
272	Sonic 540-M3 Spec Rotor 12.2 x 7.25 x 25.3	1
273	Sonic 540-M3 Spec Rotor 12.5 x 7.25 x 25.3	1
274	Sonic 540-M3 Mod Rotor 12.3 x 5.0 x 25.3	1
275	Sonic 540-M3 Mod Rotor 12.5 x 5.0 x 25.3	1
276	Sonic 540-M3 Mod Rotor 13.0 x 5.0 x 25.3	1
277	Sonic 540-M3 Stainless Steel Bearing Set	1
278	Sonic 540-M3 Ceramic Bearing Set	1
279	Sonic 540-M3 Sensor Assembly	1
280	Sonic 540-M3 Rotor Spacer Set	1
281	Sonic 540-M3 Case Screws w/Insulator	1
282	Sonic 540-M3 Motor Mounting Plate 1S	1
283	Sonic 540-M3 Motor Mounting Plate	1
287	Sonic 540-M3 25.5 ROAR Spec	1
978	Flat Sensor Wire 70mm	1
979	Flat Sensor Wire 110mm	1
980	Flat Sensor Wire 150mm	1
981	Flat Sensor Wire 200mm	1
982	Flat Sensor Wire 270mm	1
994	Flat Sensor Wire 125mm	1
995	Flat Sensor Wire 175mm	1

:: Reedy ESC's

252C	Blackbox 800Z/540-M3 25.5 Combo	1
253C	Blackbox 800Z/540-M3 21.5 Combo	1
254C	Blackbox 800Z/540-M3 17.5 Combo	1
255C	Blackbox 800Z/540-M3 13.5 Combo	1
256C	Blackbox 800Z/540-M3 10.5 Combo	1
269C	Blackbox 800Z/540-M3 17.5 SS Combo	1
270C	Blackbox 800Z/540-M3 13.5 SS Combo	1
284C	Blackbox 800Z/540-M3 21.5 SS Combo	1
285C	Blackbox 800Z/540-M3 10.5 SS Combo	1
287C	Blackbox 800Z/540-M3 25.5 ROAR SPEC Combo	1
27000	Blackbox 410R 1S-2S Competition ESC	1
27001	Blackbox 410R 1S-2S Competition ESC w/Programmer	1
27002	Blackbox 800Z 2S Zero-Timing Competition ESC	1
27003	Blackbox 1000Z+ 2S Competition ESC	1
27020	Blackbox ESC PROgrammer	1
27021	Blackbox 410R Fan w/Screws	1
27022	Blackbox 410R Heavy-Duty Capacitor Unit	1
27023	Blackbox 410R XL Capacitor Unit	1
27024	Blackbox Pro Capacitor Unit	1
27025	Blackbox ESC PROgrammer Wire Extension	1

:: Reedy Servos & Accessories

27100	RS1206 Digital HV Hi-Speed Competition Servo	1
27101	RT1508 Digital HV Hi-Torque Competition Servo	1
27102	RS1206 Servo Case Set w/screws	1
27103	RS1206 Servo Gear Set	1
27104	RT1508 Servo Case Set w/screws	1
27105	RT1508 Servo Gear Set	1
27106	RS1806A Digital HV Hi-Speed Aluminum Competition Servo	1
27107	RT2207A Digital HV Hi-Speed Aluminum Competition Servo	1
27108	RS0806 Digital HV Hi-Speed LP Competition Servo	1
27109	RT1408 Digital HV Hi-Speed LP Competition Servo	1
27120	RS1806A Servo Gear Set	1
27121	RT2207A Servo Gear Set	1
27122	Reedy Aluminum Servo Horn (25)	1
27123	Reedy Aluminum Clamping Servo Horn (25)	1
27124	RS0806 LP Case Set	1
27125	RS0806 LP Gear Set	1
27126	RT1408 LP Case Set	1
27127	RT1408 LP Gear Set	1

:: Reedy Accessories

643	Low Profile Bullet Plug 4mm x 14mm (2)	1
644	Low Profile Bullet Plug 4mm x 14mm (10)	1
645	Low Profile Bullet Plug 5mm x 14mm (2)	1
646	Low Profile Bullet Plug 5mm x 14mm (10)	1
647	Silicone Wire 12AWG-Black (1m)	1
648	Silicone Wire 14AWG-Black (1m)	1
649	Silicone Wire 16AWG-Black (1m)	1
650	Shrink Tubing - 15pcs 4.5mm x 20mm	1
654	4.0mm Bullet Plugs (2M, 2F)	1
655	4.0mm Bullet Plugs (2M, 10F)	1
656	4.0mm Bullet Plugs (10F)	1
658	4.0mm Bullet Plugs (10M)	1
659	4.0mm Bullet Plugs (30M)	1
747	Silicone Wire 12AWG-Black (30m)	1
748	Silicone Wire 14AWG-Black (30m)	1
749	Silicone Wire 16AWG-Black (30m)	1
790	Silicone Wire 13AWG-Black (1m)	1
791	Silicone Wire 13AWG-Black (30m)	1
792	Low Profile Caged Bullet Plug 4mm x 14mm (2)	1
793	Low Profile Caged Bullet Plug 4mm x 14mm (10)	1
794	Low Profile Caged Bullet Plug 5mm x 14mm (2)	1
795	Low Profile Caged Bullet Plug 5mm x 14mm (10)	1
27304	LiPo Battery Weight Set - Shorty	1

:: XP Electronics

29166	XP DS1313 Digital Servo	1
29167	XP DS1015 Digital Servo	1
29210	Gear Set, DS1015	1
29211	Servo Case, DS1313/DS1015	1
29212	Accessory Pack, DS1313/DS1015	1

:: Tools

1111	FT Turnbuckle Wrench	1
1113	12mm Big Bore Shock Tool	1
1449	FT Off Road Ride Height Gauge	1
1541	FT Hex Driver Set, (7 pcs)	1
1545	FT 5/64" Blue Hex Driver	1
1546	FT 3/32" Gold Hex Driver	1
1554	FT Silver Spring Hook Tool	1
1564	FT 5.5mm Red Nut Driver	1
1567	FT 8mm Gold Nut Driver	1
1568	Factory Team 5.5mm Short Nut Driver	1
1569	Factory Team 7mm Nut Driver, T-Handle	1
1570	Factory Team 7.0mm Short Nut Driver	1
1590	FT 3/32" Gold Ball Hex Driver	1
1592	FT Ball Hex Driver Set, (3 pcs)	1
1655	FT 8-Piece 1/4" Hex Drive Set	1
1656	FT 1/4" Hex Drive Handle, without tips	1
1657	FT 1/4" Hex Drive .050" Tip	1
1658	FT 1/4" Hex Drive 1/16" Tip	1
1659	FT 1/4" Hex Drive 5/64" - 2.0mm Tip	1
1660	FT 1/4" Hex Drive 3/32" Tip	1
1661	FT 1/4" Hex Drive 1.5mm Tip	1
1662	FT 1/4" Hex Drive 2.5mm Tip	1
1663	FT 1/4" Hex Drive 3/16" Nut Driver Tip	1
1664	FT 1/4" Hex Drive 1/4" Nut Driver Tip	1
1665	FT 1/4" Hex Drive 11/32" Nut Driver Tip	1
1666	FT 1/4" Hex Drive 5.5mm Nut Driver Tip	1
1667	FT 1/4" Hex Drive 7.0mm Nut Driver Tip	1
1668	FT 1/4" Hex Drive 8.0mm Nut Driver Tip	1
1669	FT 1/4" Hex Drive 5/64" - 2.0mm Ball End Tip	1
1670	FT 1/4" Hex Drive 3/32" Ball End Tip	1
1671	FT 1/4" Hex Drive Standard Screwdriver Tip	1
1672	FT 1/4" Hex Drive Phillips Screwdriver Tip	1
1673	FT 1/4" Hex Drive 2.5mm Ball End Tip	1
1674	FT 1/4" 5 Piece Power Tool Tips Set (5/64-2.0mm, 1.5mm, 2.5mm, 5/64"- 2.0mm ball, 2.5mm ball)	1
1675	FT Shock Shaft Pliers	1
1719	FT Camber + Track Width Tool	1
1737	FT Body Scissors	1
3718	12 Inch Nylon Wire Ties	12
3719	6 Inch Nylon Wire Ties	12
3720	8 Inch Nylon Wire Ties	12
3987	Composite Droop Gauge	1
6429	Shock Building Tool	1
6956	Molded Tools, Set	1
7709	4 Inch Nylon Wire Ties	12

:: MyLaps Transponders

MLP10R078	MyLaps Hybrid (2-wire) Transponder	1
MLP10R120	MyLaps RC4 (3-wire) Transponder	1
MLP40R222	MyLaps Transponder Holder	1

:: RePlay Cameras / Kicker Audio

RP005	Replay XD PrimeX Camera System	1
RP021	Replay XD1080 Lens Bezel Kit	1
RP022	Replay XD1080 Clear Lens Cover	1
RP023	Replay XD1080 Lens Bezel & Rear Cap O-Ring	1
RP029	Replay XD1080 HDMI to Mini-HDMI	1
RP030	Replay XD1080 Mini 8-pin USB Charge Data Cable	1
RP032	USB DC Car Charger 1A Stubby	1
RP034	Micro SDHC USB Reader	1
RP036	3M VHB 4991 Mount Adhesive for SnapTray	1
RP042	Replay XD Suction Cup Short Arm Base	1
RP043	Replay XD Skateboard Mount	1
RP044	Replay XD VHB SnapTray, Convex	1
RP045	Replay XD VHB SnapTray, Flat	1
RP046	Au Plug for Universal DC Wall Charger	1
RP047	Eu Plug for Universal DC Wall Charger	1
RP048	Uk Plug for Universal DC Wall Charger	1
RP049	Universal USB DC Wall Charger 1A	1
RP050	Au Plug for Uni DC Wall Charger	1
RP055	Replay PrimeX Lens 5 pack	1
RP056	Replay PrimeX HDMI Cable	1
RP057	Replay PrimeX Deep Dive Waterproof Case	1
RP058	Replay PrimeX Heim Lock Mount	1
RP059	Replay PrimeX Low Boy Mount	1
RP060	Replay PrimeX Tilt Mount	1
29269	KICKER KPw Wireless Speaker System, (black)	1
29270	KICKER KPw Wireless Speaker System, (white)	1

:: Apparel / Promotional

SP13**	AE Lite Jacket - Black - (S, M, L, XL, 2XL)	1
SP14**	AE 2015 Worlds T-Shirt - Blue (S, M, L, XL-5XL)	1
SP15**	AE 2015 Worlds T-Shirt - Black (S, M, L, XL-5XL)	1
SP16**	AE 2015 Worlds Hoodie - Black (S, M, L, XL-3XL)	1
SP17**	AE INT'L T-Shirt - Black (S, M, L, XL-5XL)	1
SP18**	AE INT'L T-Shirt - White (S, M, L, XL-5XL)	1
SP19**	AE INT'L Hoodie - Black (S, M, L, XL-3XL)	1
SP20	AE Patch Trucker Hat	1
SP23**	AE Splash T-shirt - Black (S, M, L, XL-5XL)	1
SP24**	AE Splash T-shirt - Blue (S, M, L, XL-5XL)	1
SP29	Team Associated Countertop / Setup Mat	1
SP30	Team Associated Pit Mat	1
SP31	Reedy Countertop / Setup Mat	1
SP38	Reedy Trucker Hat	1
SP71**	AE Winter Jacket - Black (S, M, L, XL, 2XL)	1
SP84**	Reedy 3D T-Shirt, Black (S, M, L, 2XL, 3XL)	1
SP87**	AE 2013 Zip Hoodie (S, M, 2XL, 3XL)	1
SP90**	AE Retro T-shirt, Blue (S, M, L, XL-5XL)	1
SP91**	AE Retro T-shirt, Black (M, XL-5XL)	1
SP92**	AE Retro T-shirt, White (S, M, XL-5XL)	1
SP110*	Reedy R-Powered T-Shirt - Black (S, M, L, XL-3XL)	1
SP111*	Reedy W15 Sweatshirt - Black (S, M, L, XL-3XL)	1
SP112*	Reedy Medallion T-Shirt - Black (S, M, L, XL-3XL)	1
SP421S	AE 2012 Hat, Black, Flat Bill, S/M	1
SP421L	AE 2012 Hat, Black, Flat Bill, L/XL	1
SP422S	AE 2012 Hat, Black, Curved Bill, S/M	1
SP422L	AE 2012 Hat, Black, Curved Bill, L/XL	1
SP423S	AE 2012 Hat, White, Flat Bill, S/M	1
SP423L	AE 2012 Hat, White, Flat Bill, L/XL	1
SP424S	AE 2012 Hat, White, Curved Bill, S/M	1
SP424L	AE 2012 Hat, White, Curved Bill, L/XL	1
SP425	FT Fluid Carrier	1
715	Reedy 2009 Track Banner	1
110684	Team Associated Track Banner	1
110685	Team Associated Cloth Banner	1

** Use part number plus the desired size when ordering!

:: Notes**:: Contact Information**

**Check out the following web sites for all
of our electric kits, current products, new
releases, setup help, tips, and racing info!**

**Associated Electrics, Inc.
26021 Commercentre Drive
Lake Forest, CA 92630-8853 USA
<http://www.TeamAssociated.com>
<http://www.RC10.com>
<http://twitter/Team Associated>
<http://bit.ly/AEonFacebook>**

**call: (949) 544-7500
fax: (949) 544-7501**

Front Suspension:

Ride Height:	19mm
Camber:	-1°
Toe:	0°
Arm Type:	Gull-Wing
Tower Type:	Gull-Wing
Caster Block Insert:	+5°
Bulkhead Type:	Plastic
Kick-Up Angle:	25°
Wheel Hex:	5.0mm
Notes:	

Anti Roll Bar:

None

White (0.8mm)

Gray (0.9mm)

Blue (1.0mm)

Other: _____

Bump Steer Spacing: 0mm

Axle Height:

+3

+2

+1

0

Ball Stud Spacing: 0mm

Steering Plate: Kit

Steering Stop Spacing: 0

Ball Stud Spacing: 1mm

Caster Block Spacing: 1mm

Rear Suspension:

Ride Height:	19mm
Camber:	-1°
Wheel Hex:	7.0mm
Hub Spacing:	Forward <input type="checkbox"/> Middle <input type="checkbox"/> Back <input checked="" type="checkbox"/>
Shock Mounting Position:	Front of Arm <input checked="" type="checkbox"/> Rear of Arm <input type="checkbox"/>
Notes:	

Anti Roll Bar:

None

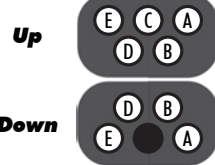
White (1.2mm)

Gray (1.3mm)

Blue (1.4mm)

Other: _____

Rear Hub Link Setting:



C Mount Inserts: 1° 0.5°

D Mount Inserts: 1° 0.5°

Hub Insert:

+3 +2 +1 0

Ball Stud Spacing: 3mm

Electronics:

Radio:	Servo:
EPA: Throttle: _____ % Brake: _____ %	
ESC:	
ESC Settings:	
Motor:	
Wind:	Timing:
Pinion:	Spur:
Battery:	
Battery Position:	5F

Drivetrain:

Transmission:	
3 Gear: <input checked="" type="checkbox"/> 4 Gear: <input type="checkbox"/>	
Stand Up: <input type="checkbox"/> Lay Down: <input checked="" type="checkbox"/>	
Differential:	
Ball Diff: <input type="checkbox"/> Gear Diff: <input checked="" type="checkbox"/>	
Notes: 4,000 Diff Fluid	
Slipper Clutch:	
Type: Kit	
# of Pads: 2	

Shocks:

	Front	Rear
Piston:	2 x 1.6	2 x 1.7
Fluid:	37.5	30
Spring:	Orange	Blue
Limiters:	2	0
Stroke:	20.0	28.0
Eyelet Length:	Long	Short
Cup Offset:	5mm	0mm
Notes:		



Track Info:

Size:	Small <input type="checkbox"/> Medium <input type="checkbox"/> Large <input type="checkbox"/> Extra Large <input type="checkbox"/>
Surface:	Dirt <input type="checkbox"/> Carpet <input type="checkbox"/> Astroturf <input type="checkbox"/> Multi Surface <input type="checkbox"/>
Traction:	Low <input type="checkbox"/> Medium <input type="checkbox"/> High <input type="checkbox"/> Very High <input type="checkbox"/>
Moisture:	Dry <input type="checkbox"/> Damp <input type="checkbox"/> Wet <input type="checkbox"/>
Condition:	Indoor <input type="checkbox"/> Outdoor <input type="checkbox"/> Dusty <input type="checkbox"/> Hard Packed <input type="checkbox"/> Bumpy <input type="checkbox"/> Grooved <input type="checkbox"/> Smooth <input type="checkbox"/> Loamy <input type="checkbox"/>
Temperature:	Ambient: _____ Track: _____
Notes:	

Tires:

Front Tires:	
Front Compound:	
Front Insert:	
Rear Tires:	
Rear Compound:	
Rear Insert:	
Wheel (F/R):	
Notes:	

Body, Wing, Weight:

Body:	Kit
Wing:	Kit
Wing Angle:	0° <input type="checkbox"/> 3° <input type="checkbox"/> 6° <input checked="" type="checkbox"/>
Servo Weights:	None <input checked="" type="checkbox"/> Aluminum <input type="checkbox"/> Steel <input type="checkbox"/> Other <input type="checkbox"/>
Electronic Weights:	None <input checked="" type="checkbox"/> Aluminum <input type="checkbox"/> Steel <input type="checkbox"/> Other <input type="checkbox"/>
Total Vehicle Weight:	

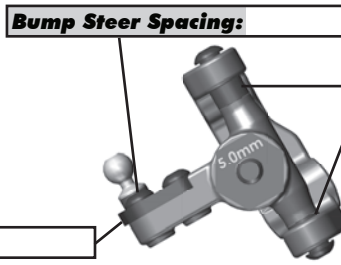
Vehicle Comments:

Notes: _____

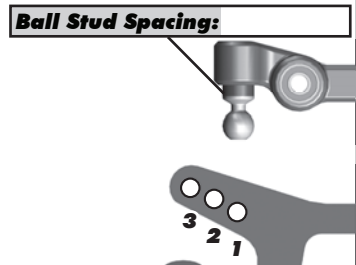
Front Suspension:

Ride Height: _____
Camber: _____
Toe: _____
Arm Type: _____
Tower Type: _____
Caster Block Insert: _____
Bulkhead Type: _____
Kick-Up Angle: _____
Wheel Hex: _____
Notes:

Anti Roll Bar:
 None
 White (0.8mm)
 Gray (0.9mm)
 Blue (1.0mm)
 Other: _____

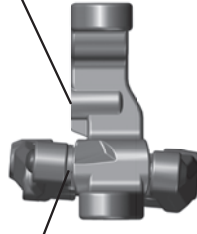


Axle Height:
 +3
 +2
 +1
 0



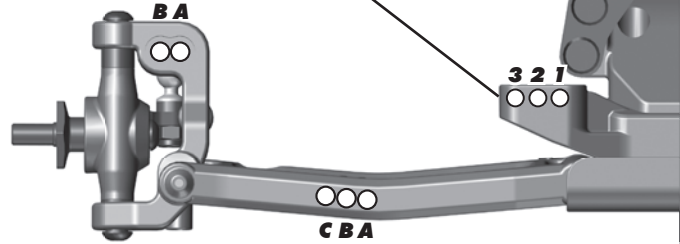
Steering Plate: _____

Steering Stop Spacing: _____



Caster Block Spacing: _____

Ball Stud Spacing: _____



Rear Suspension:

Ride Height: _____
Camber: _____
Wheel Hex: _____
Hub Spacing:
 Forward Middle Back
Shock Mounting Position:
 Front of Arm Rear of Arm
Notes:

Anti Roll Bar:
 None
 White (1.2mm)
 Gray (1.3mm)
 Blue (1.4mm)
 Other: _____

Rear Hub Link Setting:
Up
 E C A
 D B
Down
 D B
 E C A

C Mount Inserts: 1° 0.5°

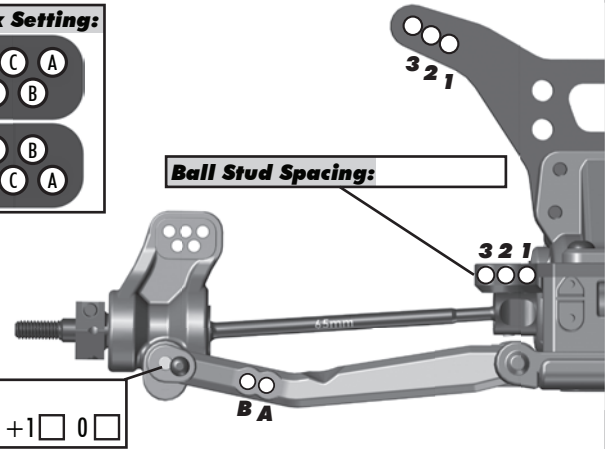


D Mount Inserts: 1° 0.5°



Hub Insert:
 +3 +2 +1 0

Ball Stud Spacing: _____



Electronics:

Radio: _____ **Servo:** _____
EPA: Throttle: _____ % Brake: _____ %
ESC: _____
ESC Settings: _____
Motor: _____
Wind: _____ **Timing:** _____
Pinion: _____ **Spur:** _____
Battery: _____
Battery Position: _____

Drivetrain:

Transmission:
3 Gear: **4 Gear:**
Stand Up: **Lay Down:**
Differential:
Ball Diff: **Gear Diff:**
Notes: _____
Slipper Clutch:
Type: _____
of Pads: _____

Shocks:

	Front	Rear
Piston:	_____	_____
Fluid:	_____	_____
Spring:	_____	_____
Limiters:	_____	_____
Stroke:	_____	_____
Eyelet Length:	_____	_____
Cup Offset:	_____	_____
Notes:	_____	_____



Track Info:

Size: Small Medium Large Extra Large
Surface: Dirt Carpet Astroturf Multi Surface
Traction: Low Medium High Very High
Moisture: Dry Damp Wet
Condition: Indoor Outdoor Dusty Hard Packed
 Bumpy Grooved Smooth Loamy
Temperature: Ambient: _____ Track: _____
Notes: _____

Tires:

Front Tires: _____
Front Compound: _____
Front Insert: _____
Rear Tires: _____
Rear Compound: _____
Rear Insert: _____
Wheel (F/R): _____
Notes: _____

Body, Wing, Weight:

Body: _____
Wing: _____
Wing Angle: 0° 3° 6°
Servo Weights:
 None Aluminum Steel Other
Electronic Weights:
 None Aluminum Steel Other
Total Vehicle Weight: _____

Vehicle Comments:

Notes: _____



**Associated Electrics, Inc.
26021 Commercentre Dr.
Lake Forest, CA 92630 USA**

<http://www.TeamAssociated.com>

<https://www.RC10.com>

https://twitter/Team_Associated

<https://bit.ly/AEonFacebook>

call: (949) 544-7500 - fax: (949) 544-7501

**Check out the following web sites for all of our kits,
current products, new releases, setup help, tips, and racing info!
www.TeamAssociated.com - www.RC10.com**