



Instruction Manual



71-73 Tenter Road
Moulton Park
Northampton
NN3 6AX
U.K.

ADDITIONAL ITEMS REQUIRED

Transmitter and receiver

CR151 - CODE FHSS LCD 2.4G 2 Stick 3Ch Tx+Rx
 CR153 - CODE Sport 2.4G 2 Stick 3Ch Tx+Rx
 CR277 - CODE Steering 2.4G 3Ch Tx+Rx



(Batteries not included)



Servo

E.S.C



Motor

Pinion Gear



Saddle Pack
Li-Po Battery



2S Shorty
Li-Po Battery

CR161
UAC50 Charger
12v/110-240v 6A



CORE RC Paint
CR600 to CR631



CR522 CORE RC
Pro Tyre Glue + 2 Nozzles



Tyres and Inserts



Soldering Iron
CR266 40w
CR275 80w

U3107 - Solder

G796 Male Connector Plugs (pk 2)

SPW1403
High Current 14AWG Wire

U2818
Schumacher Body Reamer



U4229 Steel Spanner - 5.5mm/3.9mm



CR044 Curved Body Scissors



U2795 M3 Nut Driver
U2796 M4 Nut Driver



U2789 Hex Driver - 1.5mm
U2790 Hex Driver - 2.0mm
U2791 Hex Driver - 2.5mm



Schumacher Racing stocks and distributes the following manufacturers products and full product listings are available on our website at www.racing-cars.com

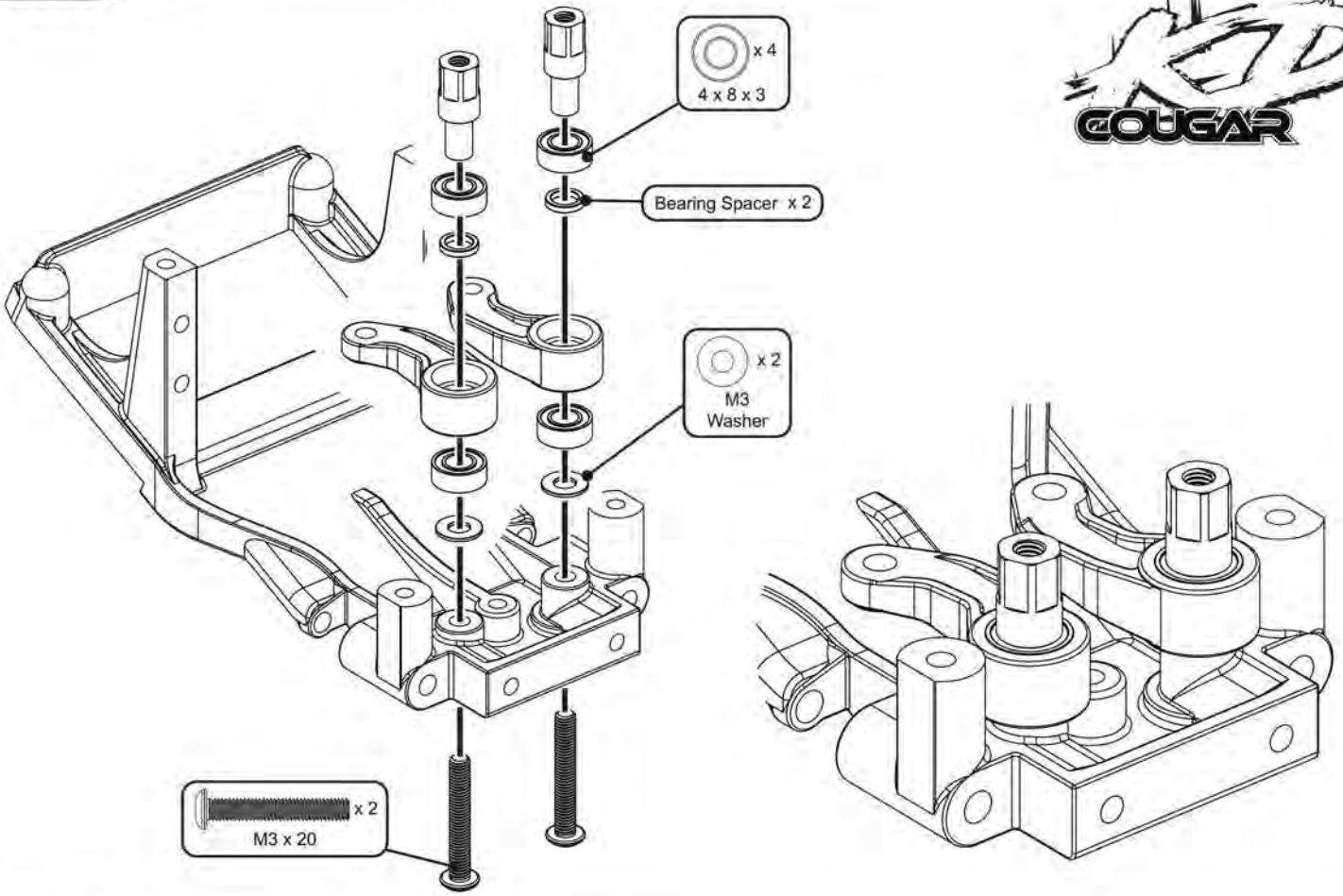
PLEASE NOTE THAT SOME OF THE PRODUCT RANGES BELOW ARE ONLY AVAILABLE IN THE UNITED KINGDOM.



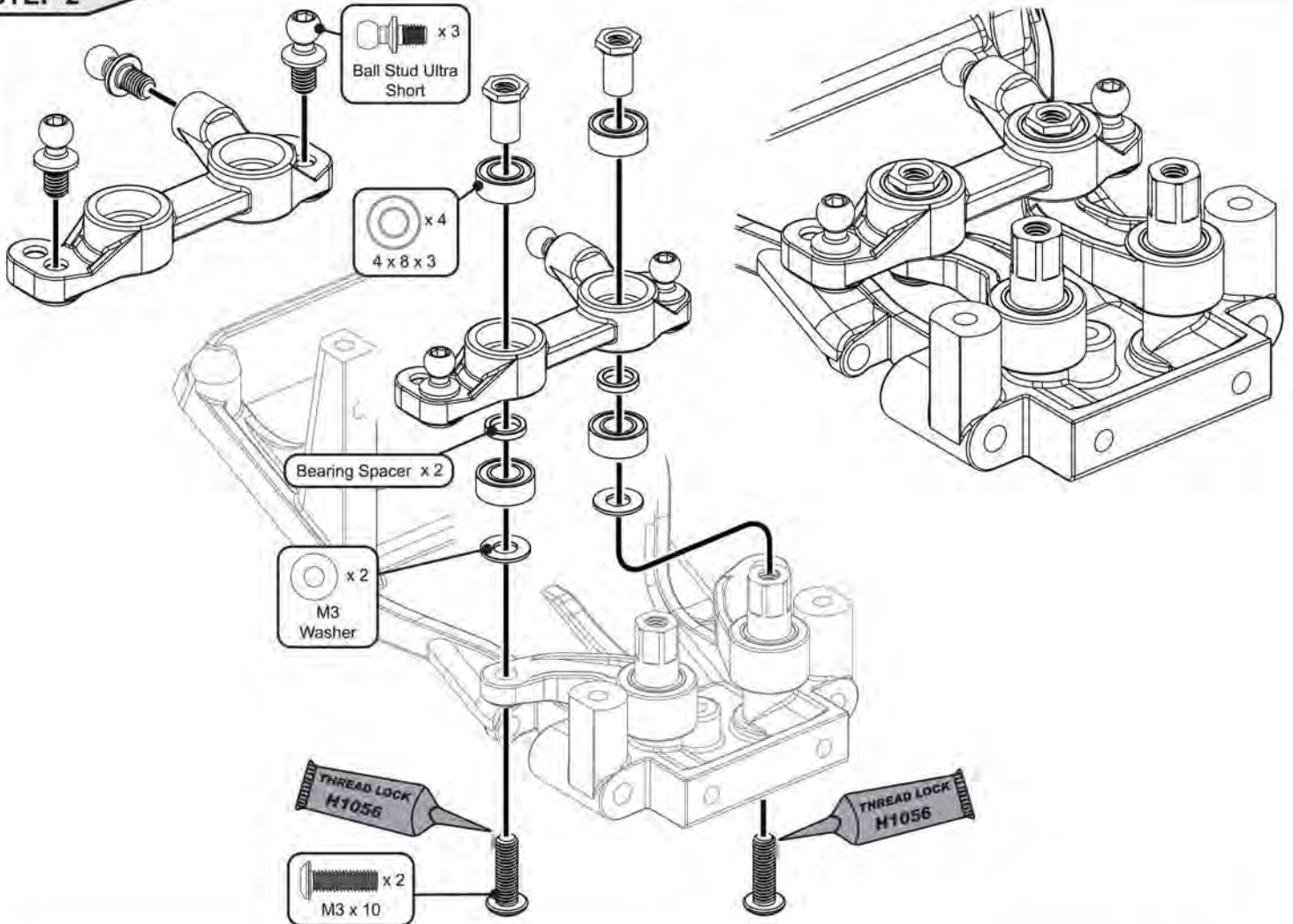
IMPORTANT SAFETY NOTES

- This product is not suitable for children under the age of 14, without the direct supervision of a responsible adult.
- Select an area for assembly that is away from the reach of small children.
- The parts in this kit are small and can be swallowed by children causing choking and possible internal injuries.
- Exercise care when using hand tools and sharp instruments during assembly.
- Carefully read all manufacturers warnings and cautions for any additional items used in the construction.
- In line with our policy of continuous development the exact details of the kit may vary.
- DO NOT use this car on public roads or in places where it can interfere with traffic, people or animals.
- Always check the operation of the radio with the wheels off the ground, before using the car.
- Make sure the radio and car batteries are fully charged before use.
- Disconnect and remove the battery from the car when not in use.
- Always store and charge LiPo batteries in a fireproof container.
- DO NOT put fingers or any objects inside rotating or moving parts as this may cause injury.
- Make sure the charger is correctly set for the type of battery you are using. Incorrect charging may cause a fire.
- Insulate all exposed electrical wiring. Exposed or damaged wires can cause short circuits and fire.
- The motor and speed controller can become hot during use. DO NOT touch them immediately after using your car as this may cause injury.

STEP 1



STEP 2



STEP 3



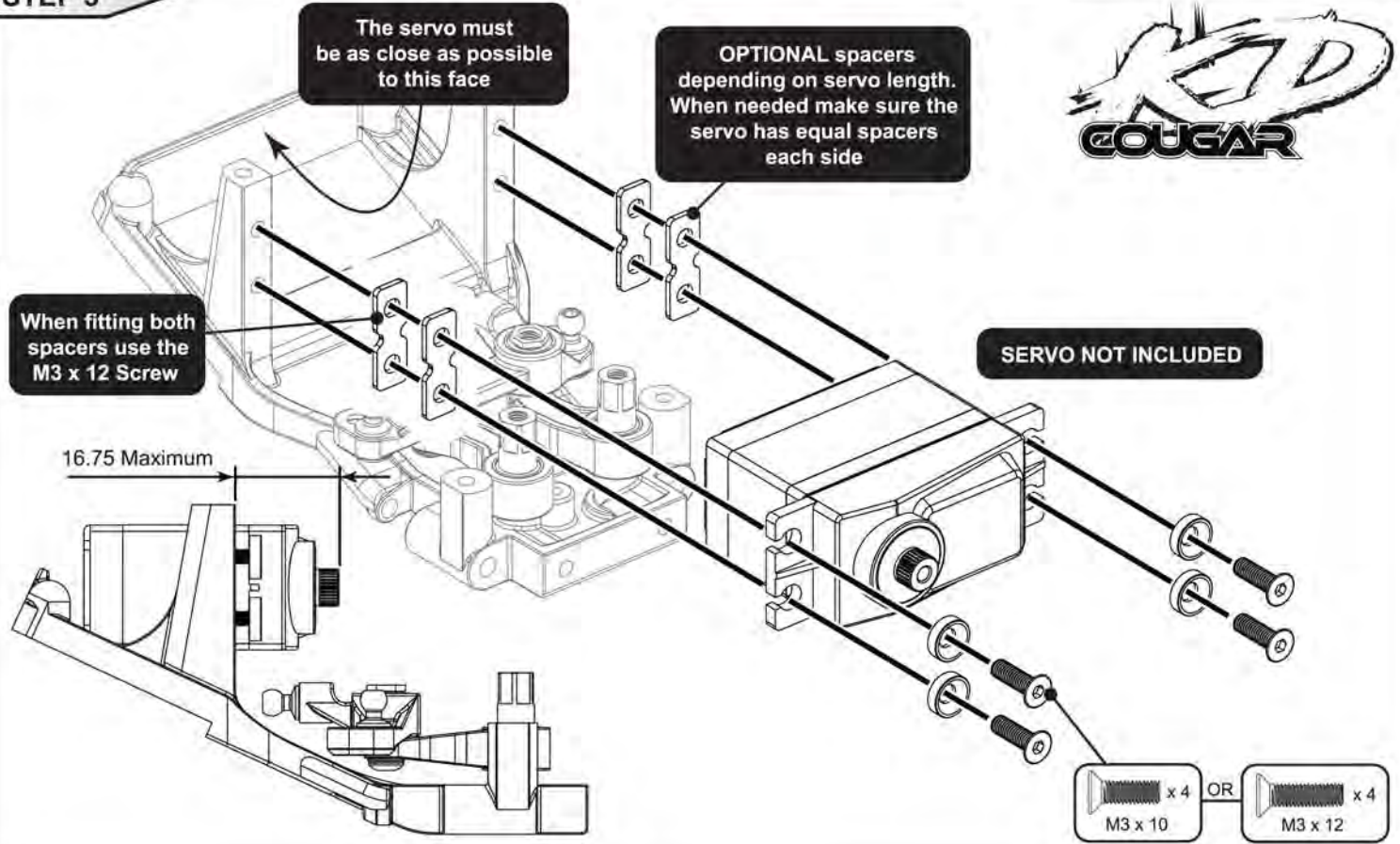
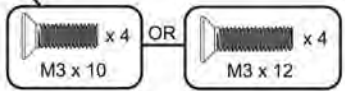
The servo must be as close as possible to this face

OPTIONAL spacers depending on servo length. When needed make sure the servo has equal spacers each side

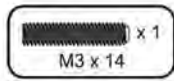
When fitting both spacers use the M3 x 12 Screw

SERVO NOT INCLUDED

16.75 Maximum



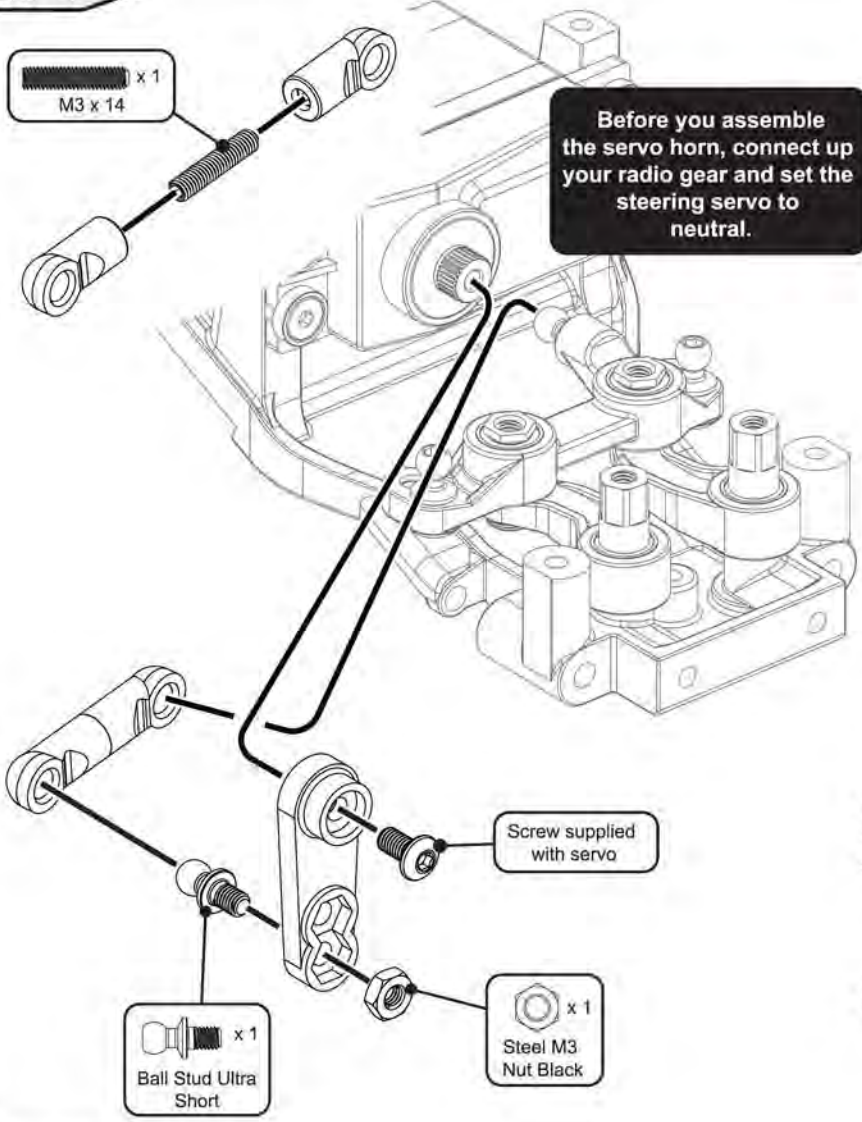
STEP 4



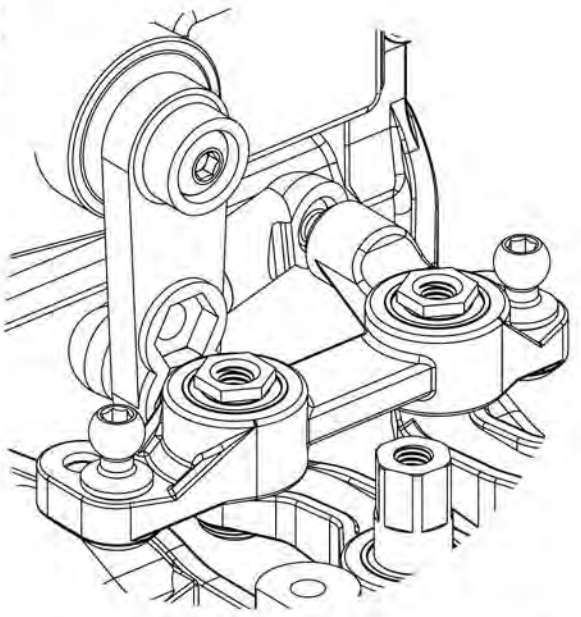
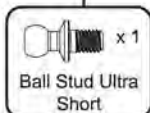
Before you assemble the servo horn, connect up your radio gear and set the steering servo to neutral.

Choose the correct Servo Horn

KO or Sanwa 23T Futaba 25T



Screw supplied with servo

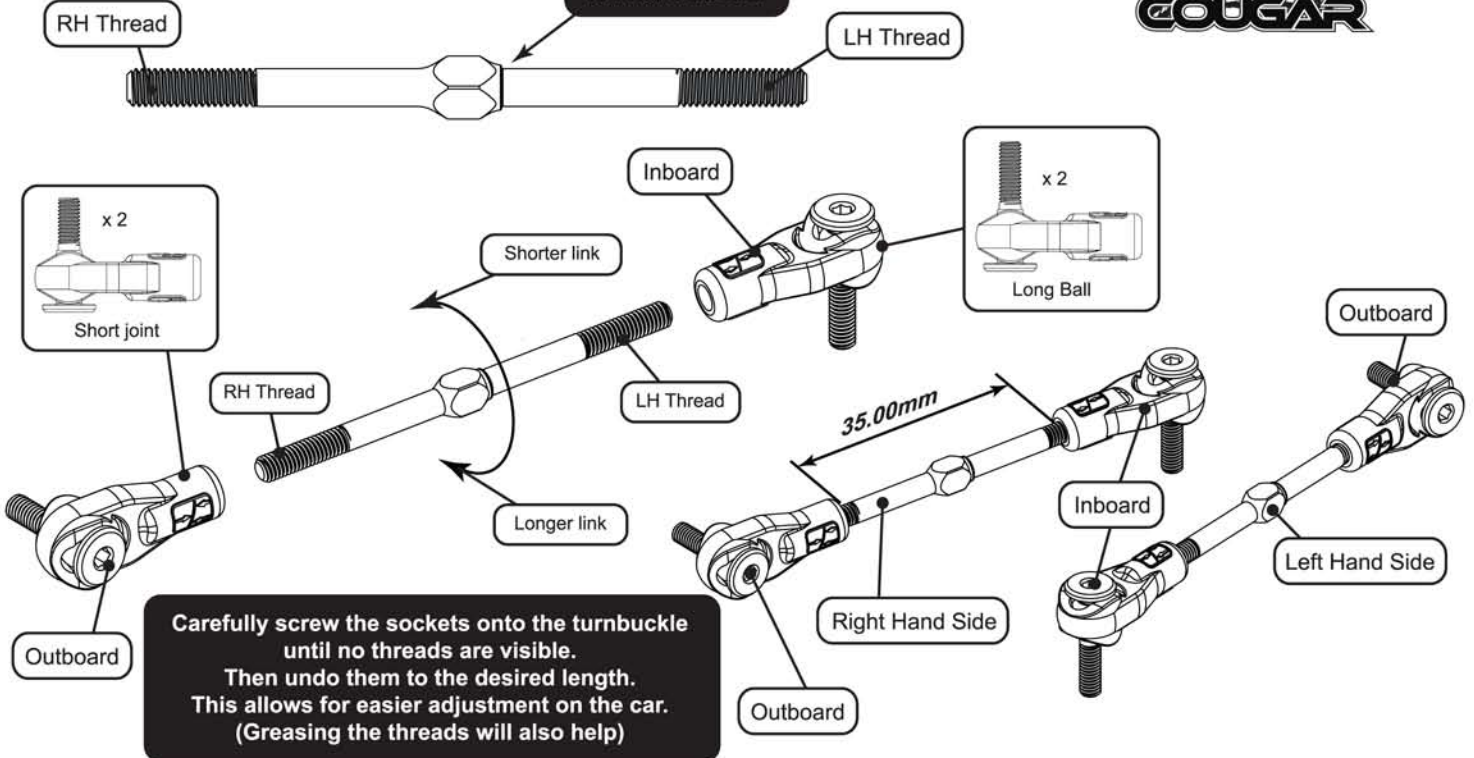


STEP 5

A



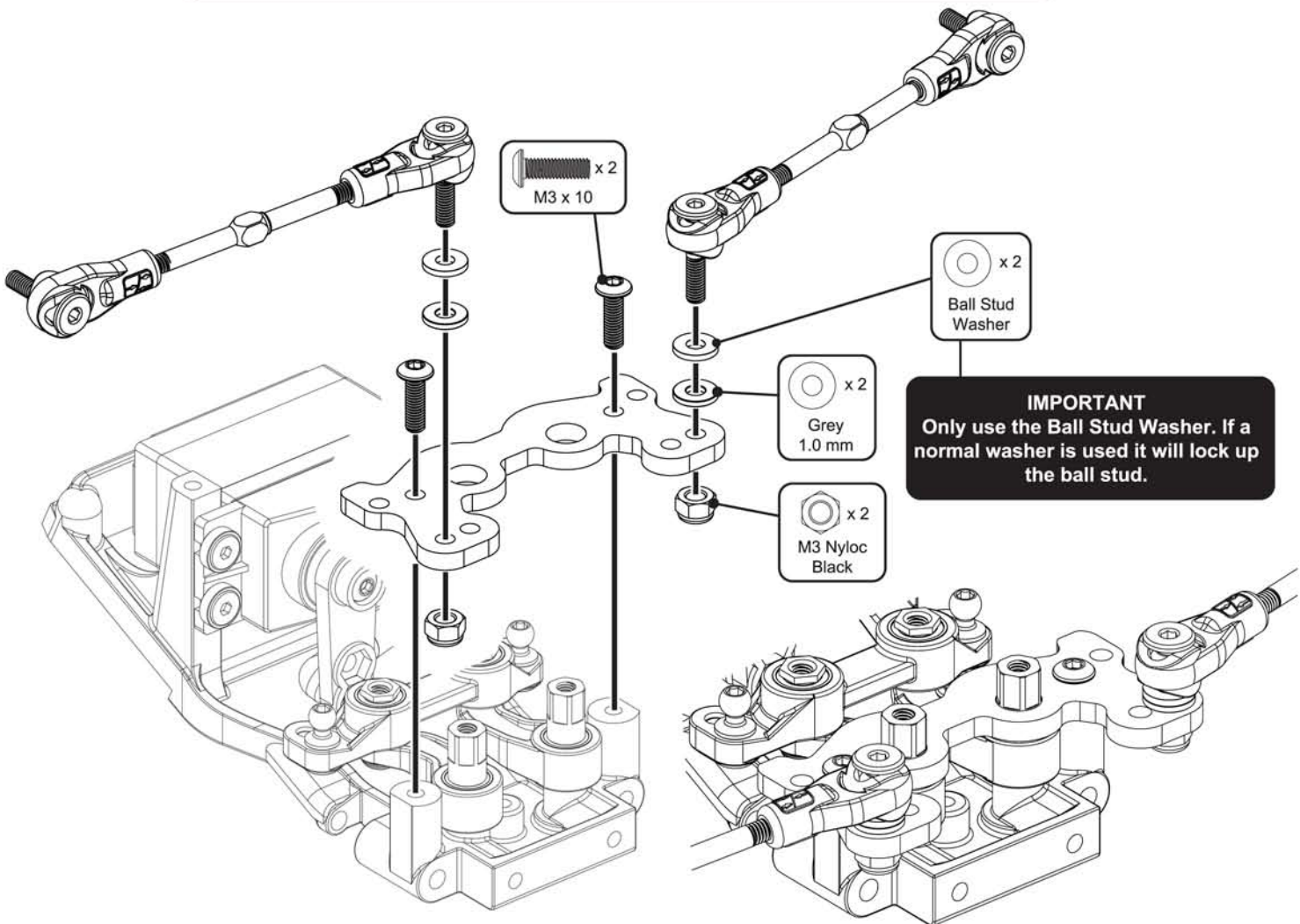
Note the shape of the turnbuckle. This side of the turnbuckle is the left hand thread.



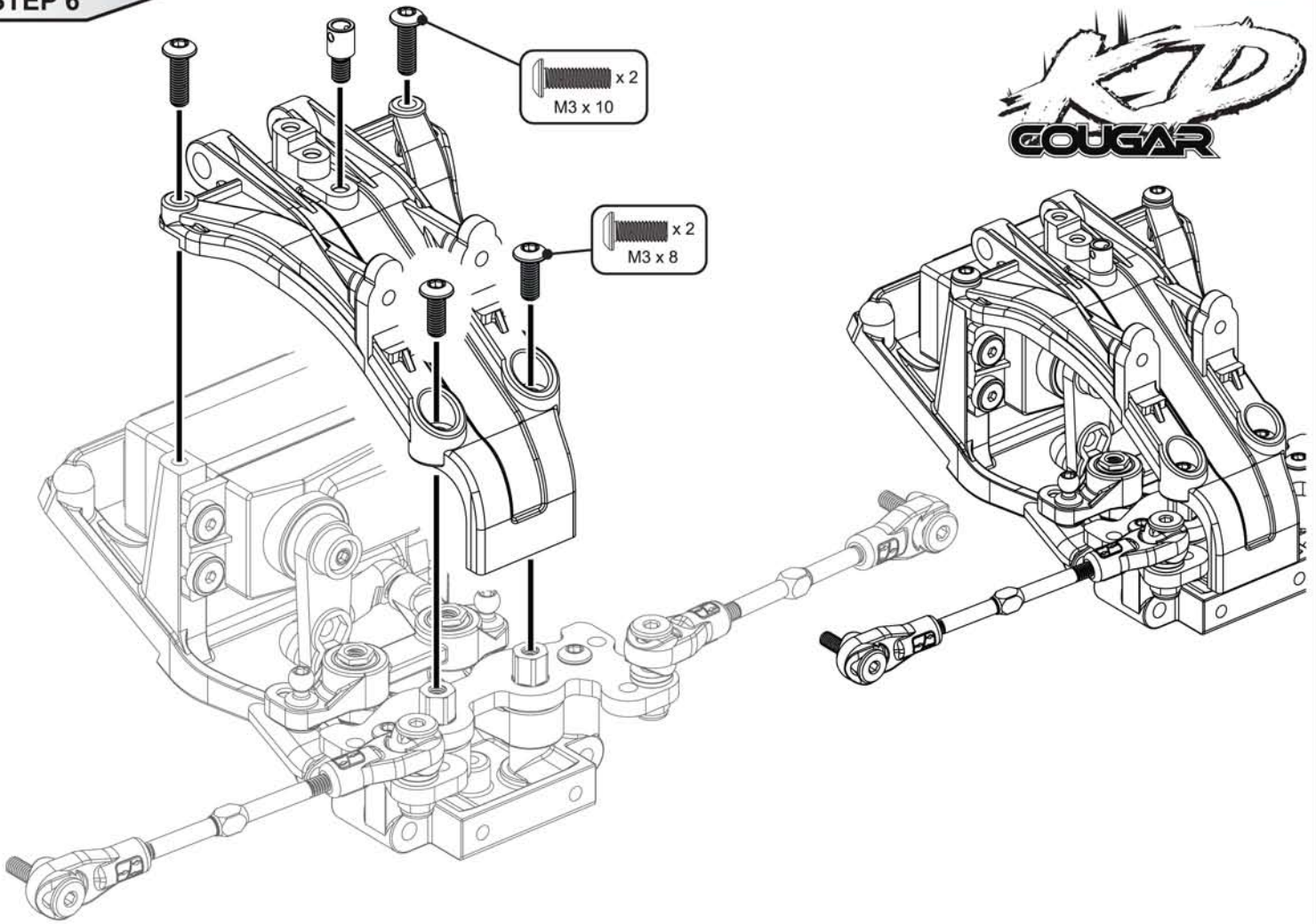
STEP 5

B

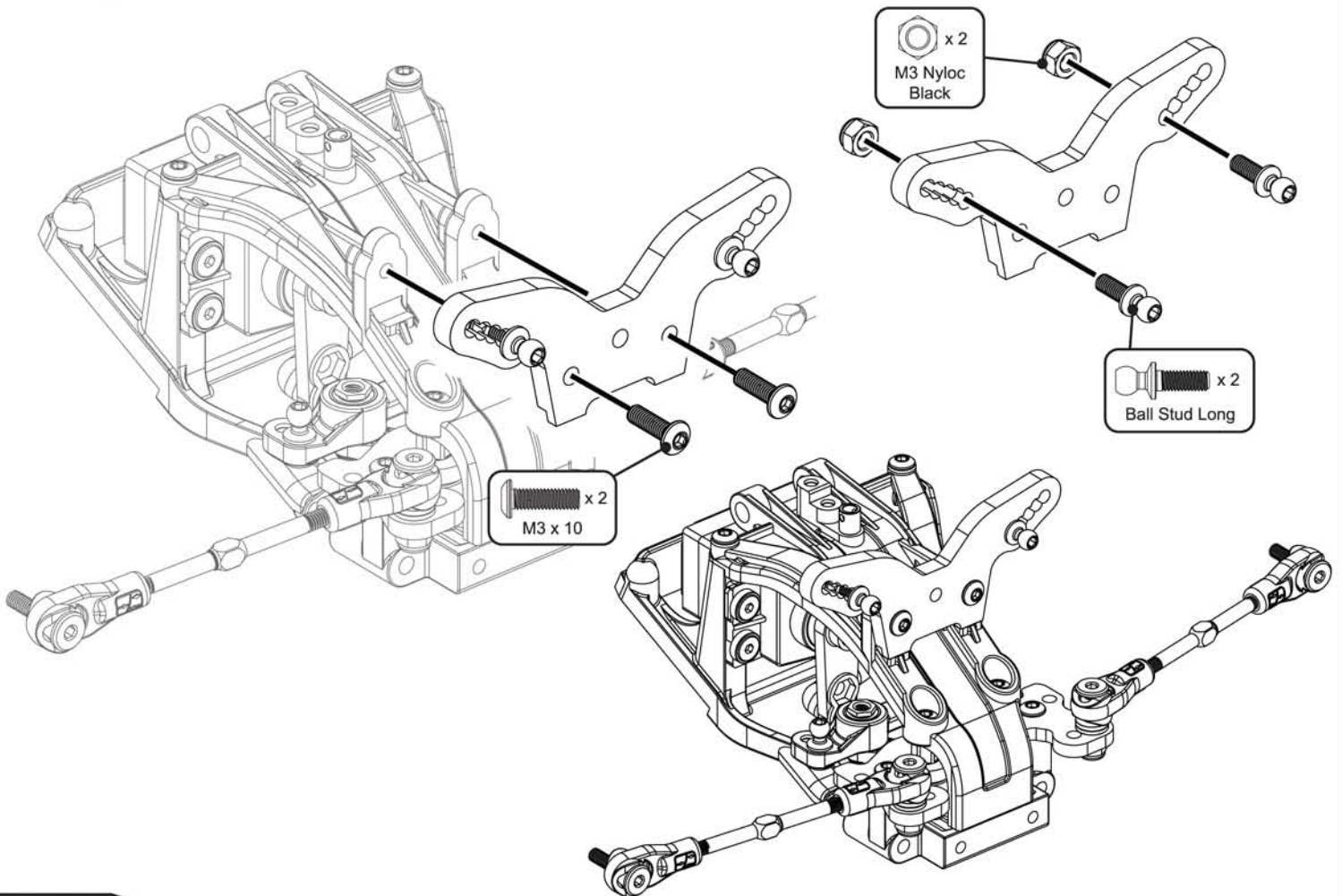
IMPORTANT
Peel off the protective film from ALL carbon fibre parts before assembly.



STEP 6



STEP 7



STEP 8



The grub screw tightens against this face.

x 2
M3 x 3

R.H Side End View

L.H Side End View

R.H Side End View

L.H Side End View

5°

5°

STEP 9

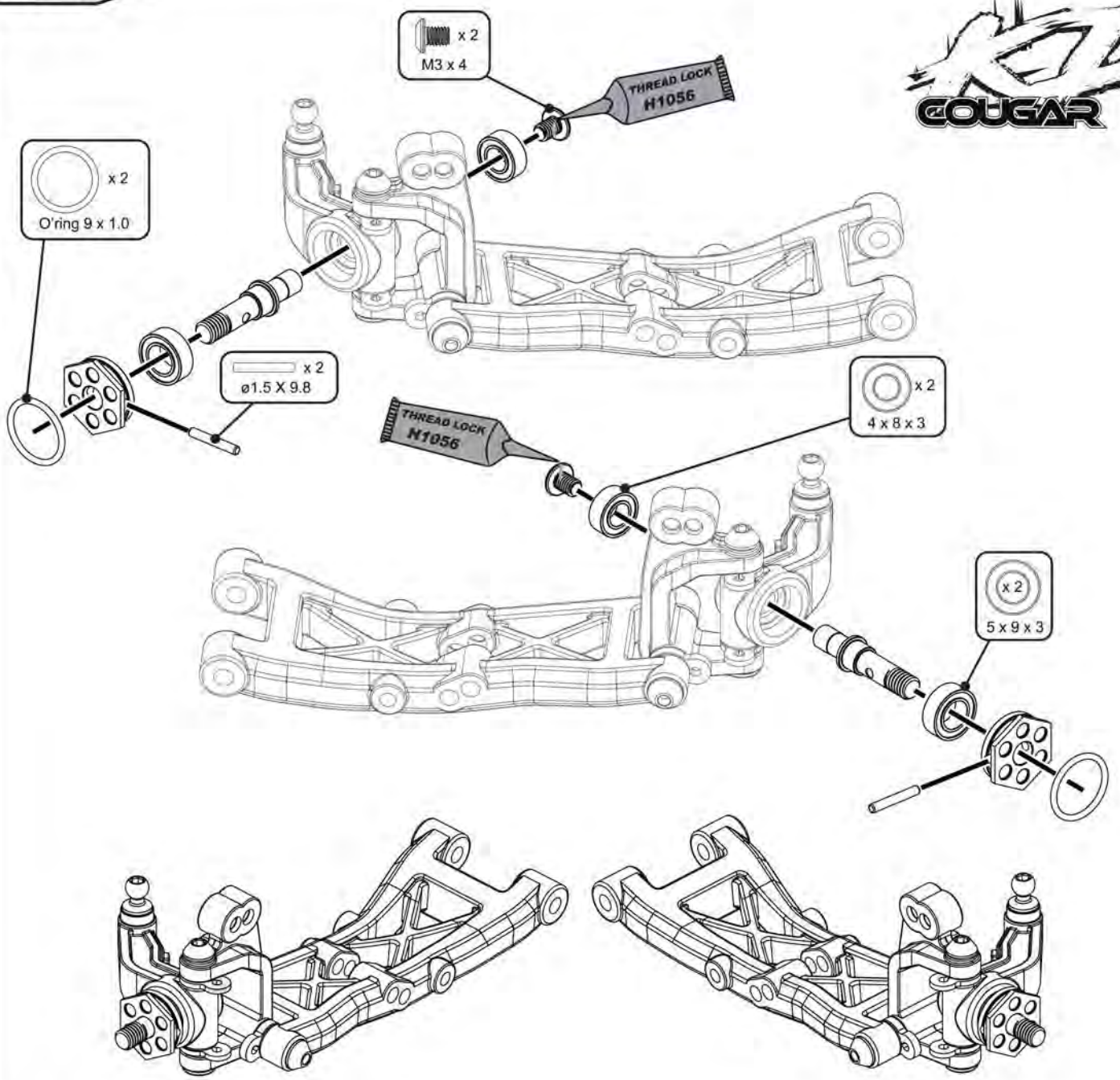
x 2
Ball Stud Long

L.H Side

x 2
Black
2.0 mm

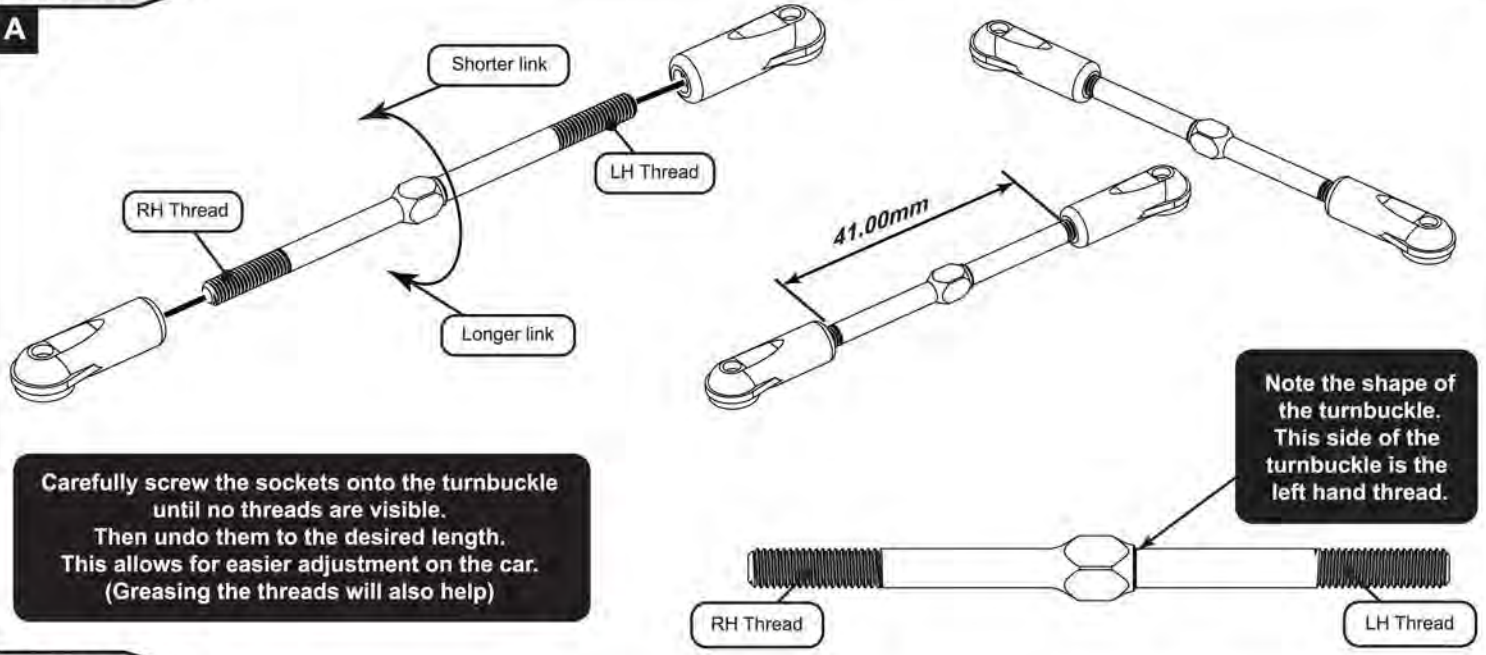
R.H Side

STEP 10



STEP 11

A

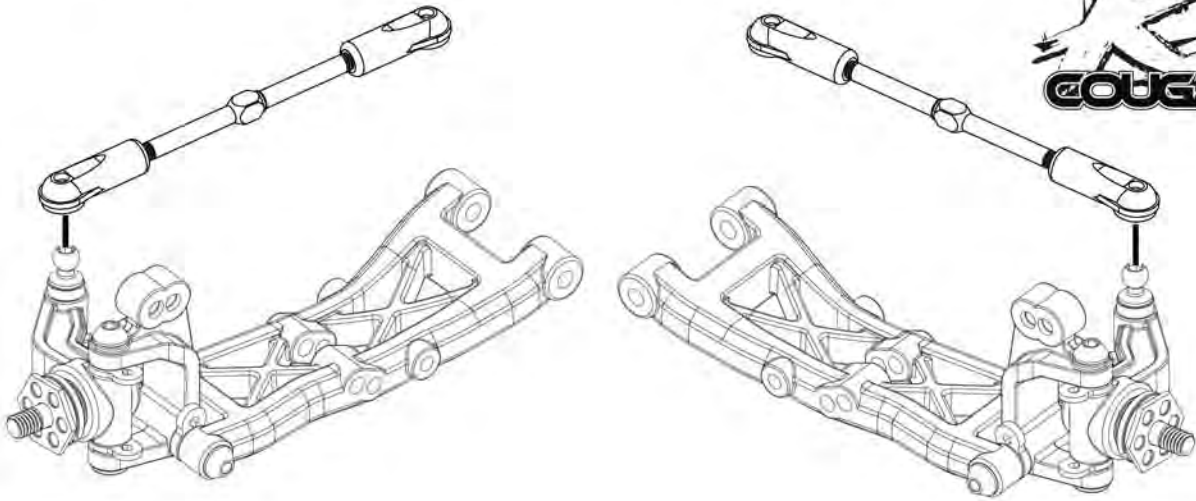


Carefully screw the sockets onto the turnbuckle until no threads are visible. Then undo them to the desired length. This allows for easier adjustment on the car. (Greasing the threads will also help)

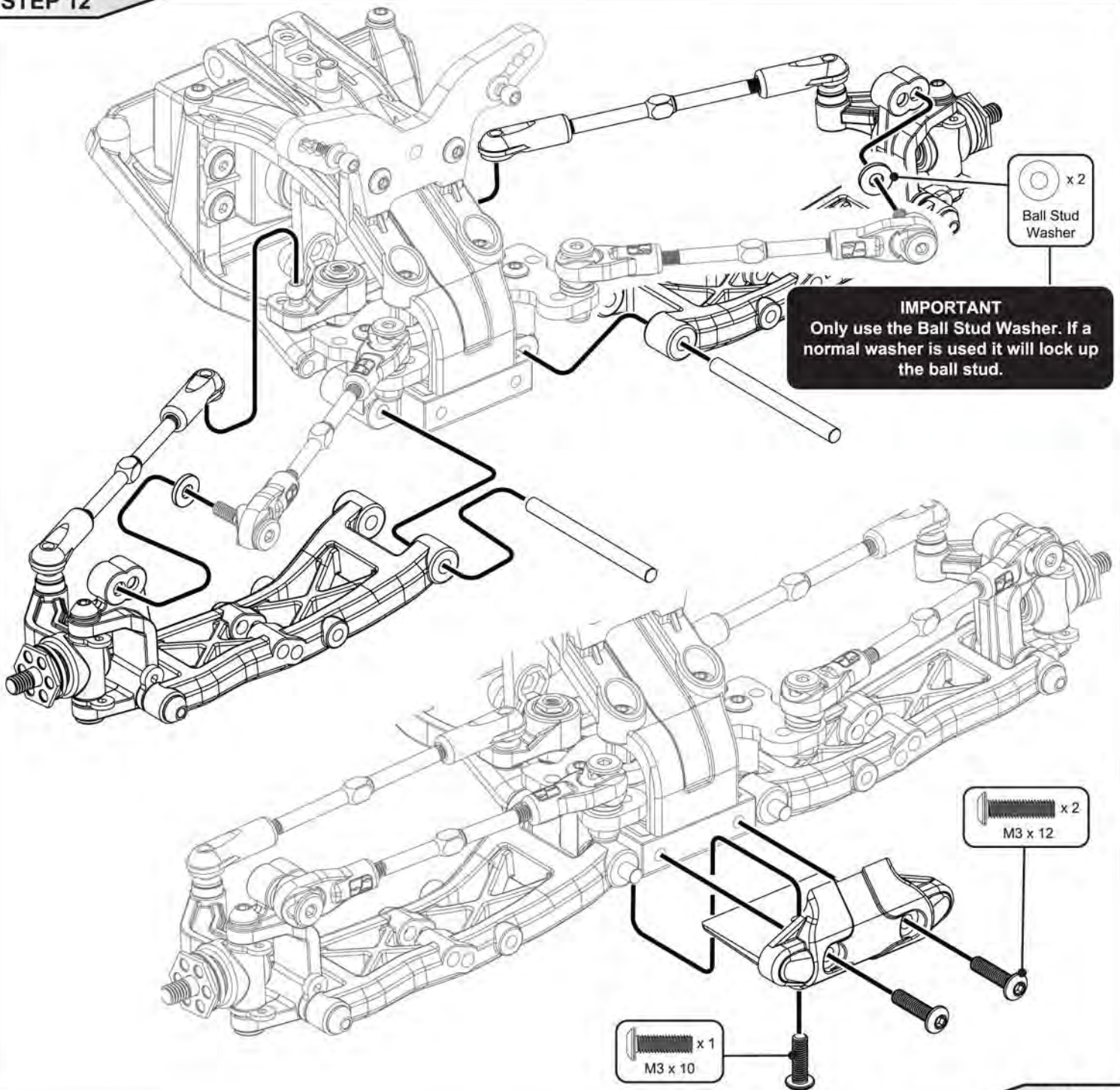
Note the shape of the turnbuckle. This side of the turnbuckle is the left hand thread.

STEP 11

B



STEP 12



x 2
Ball Stud Washer

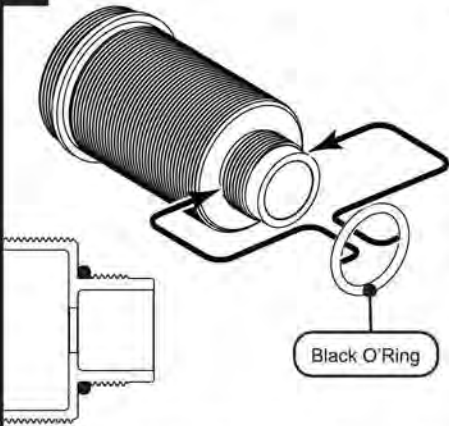
IMPORTANT
Only use the Ball Stud Washer. If a normal washer is used it will lock up the ball stud.

x 2
M3 x 12

x 1
M3 x 10

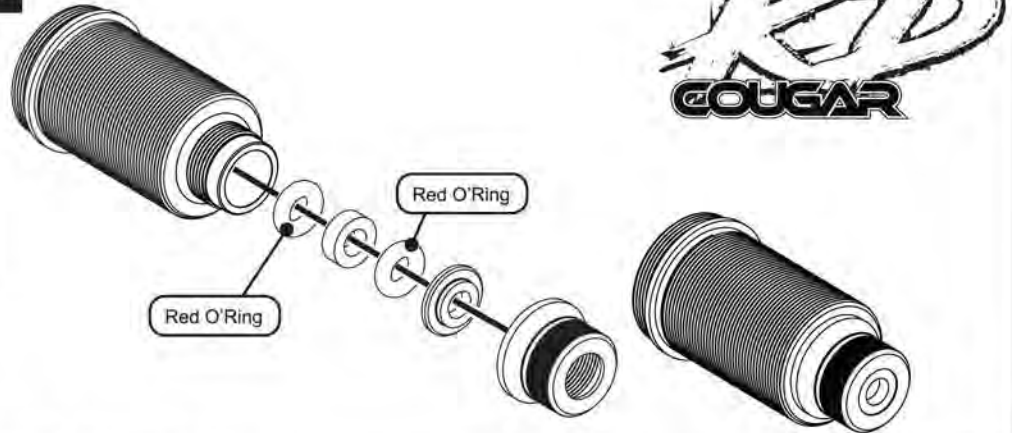
STEP 13

A



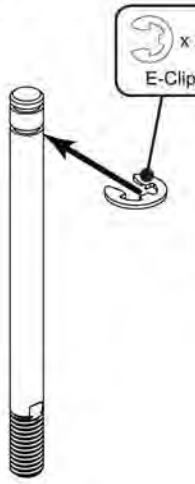
STEP 13

B



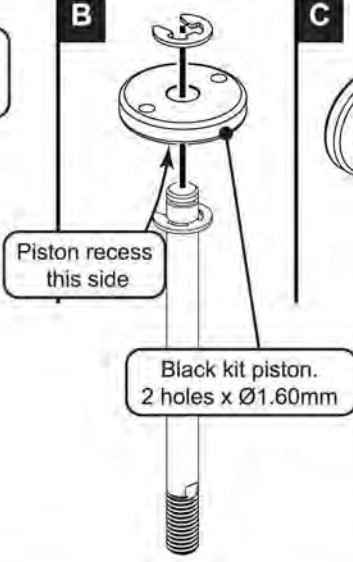
STEP 14

A



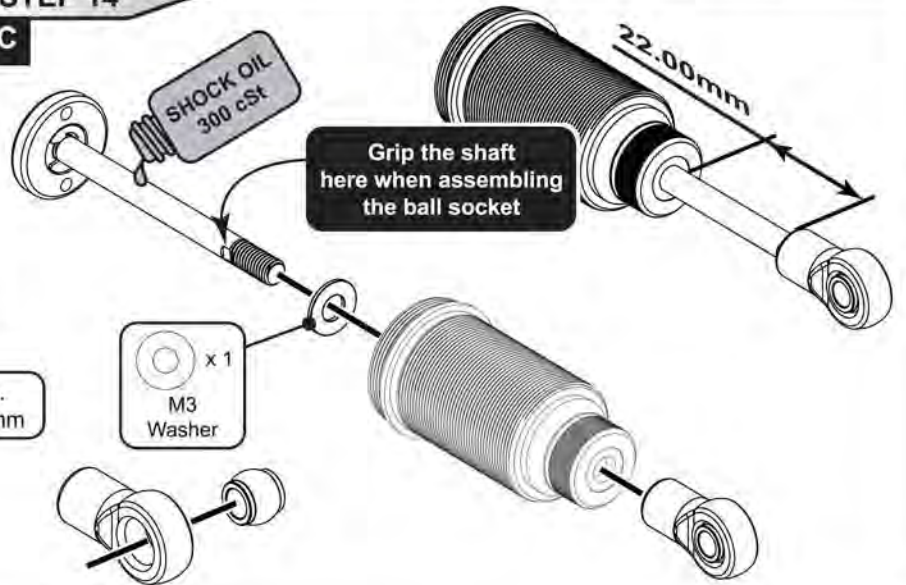
STEP 14

B



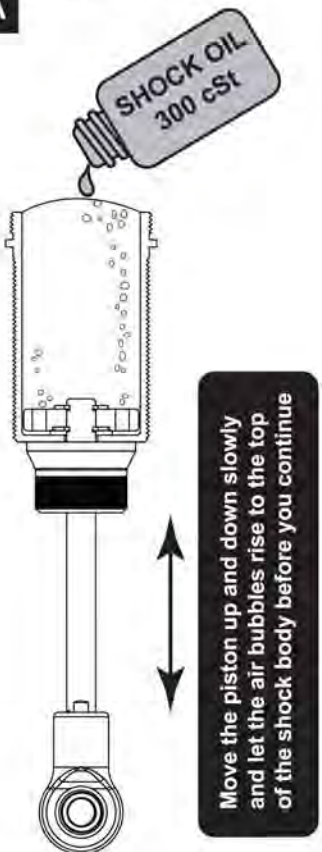
STEP 14

C



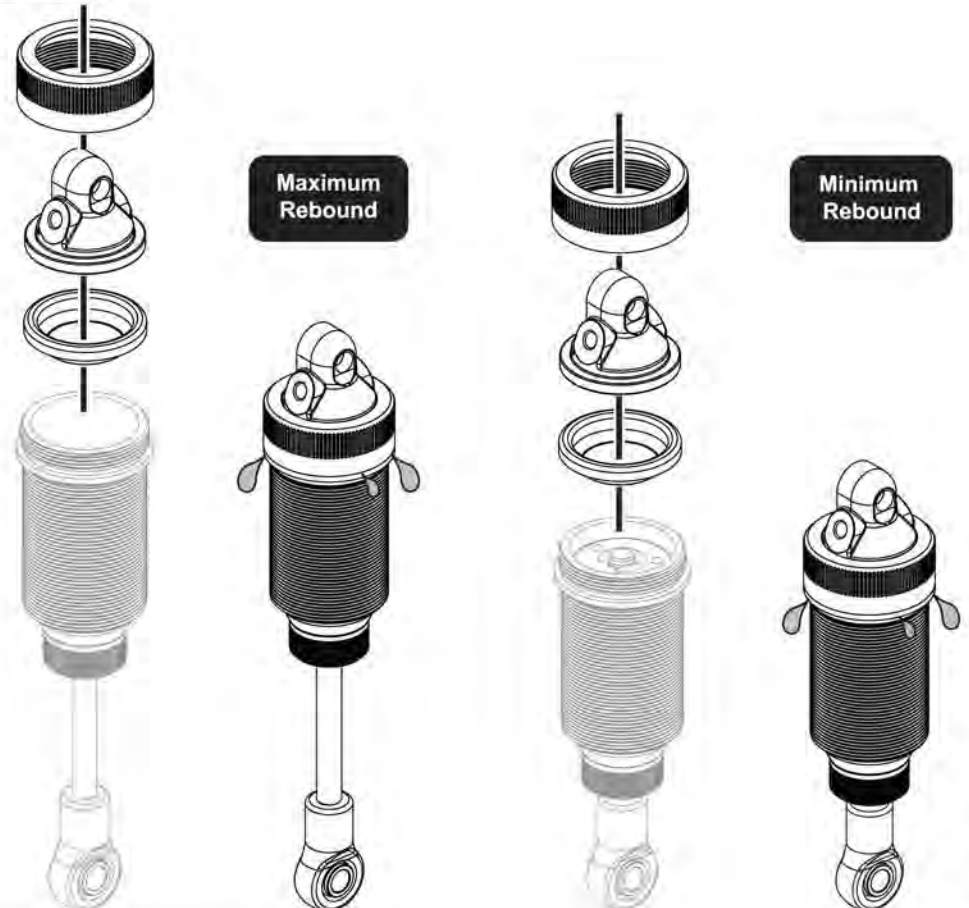
STEP 15

A



STEP 15

B

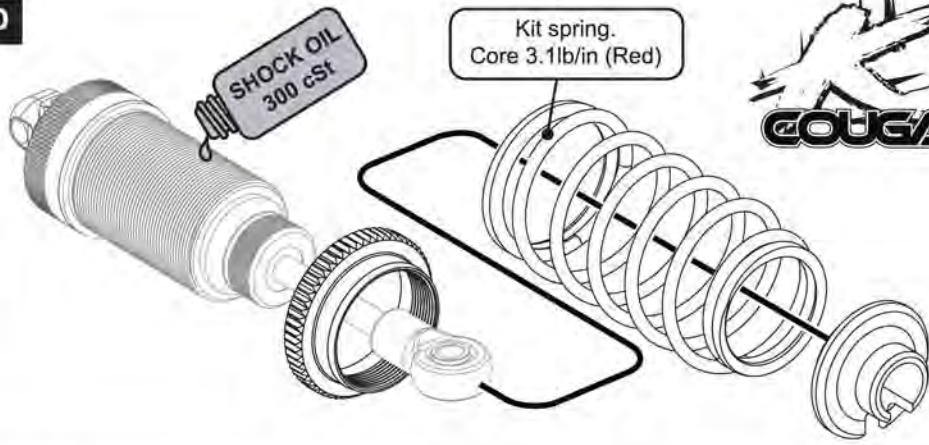


STEP 15

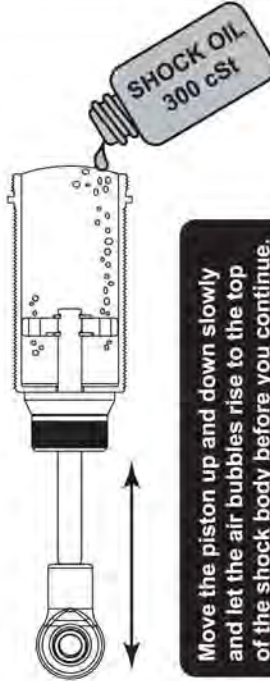
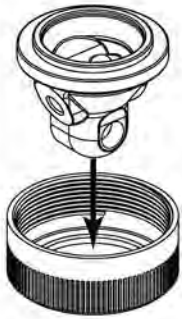
C



D



Optional Emulsion Shock



Move the piston up and down slowly and let the air bubbles rise to the top of the shock body before you continue.

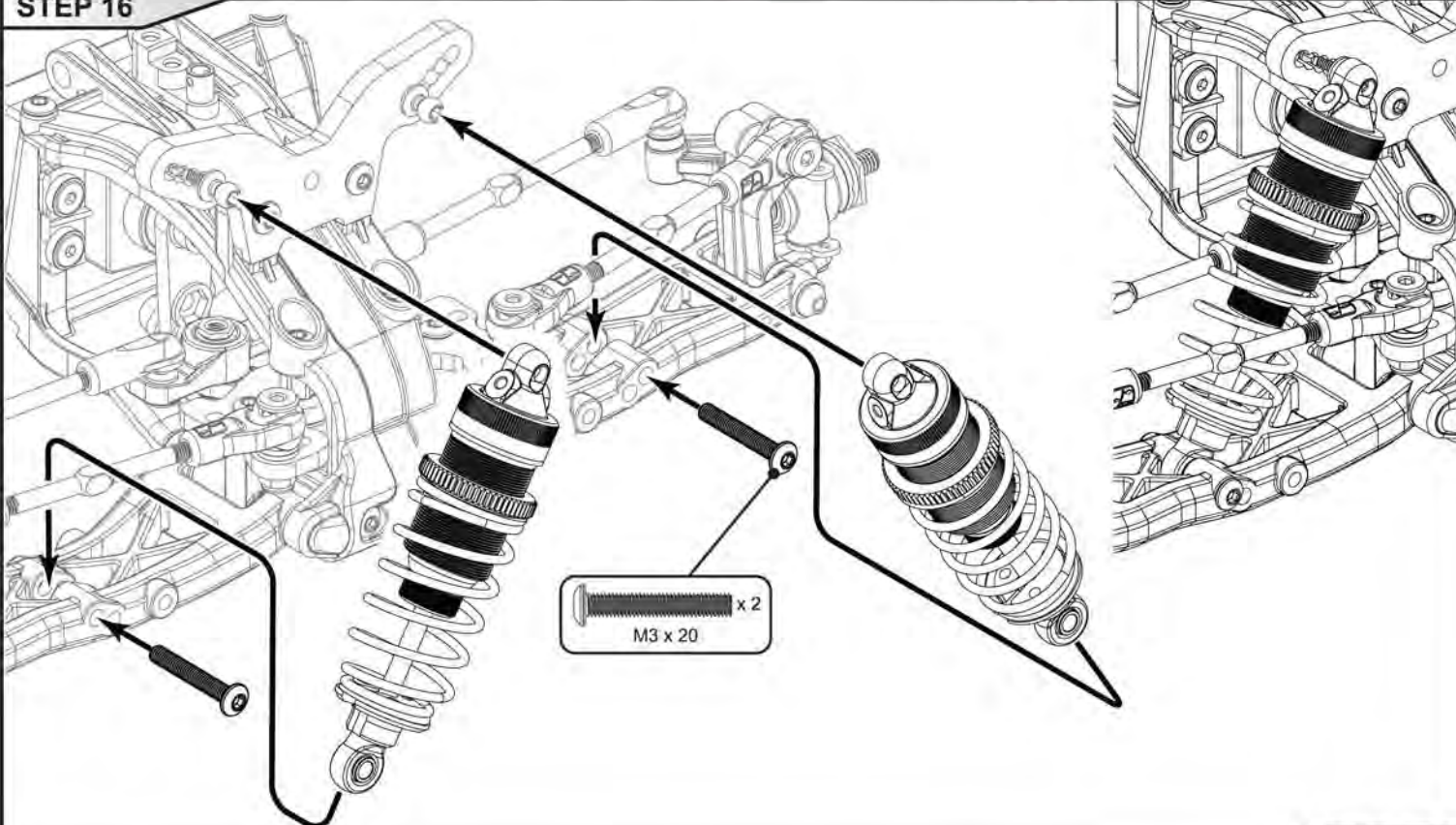


Screw the cap and O-ring onto the body. Then tighten the cap fully and undo two full turns.

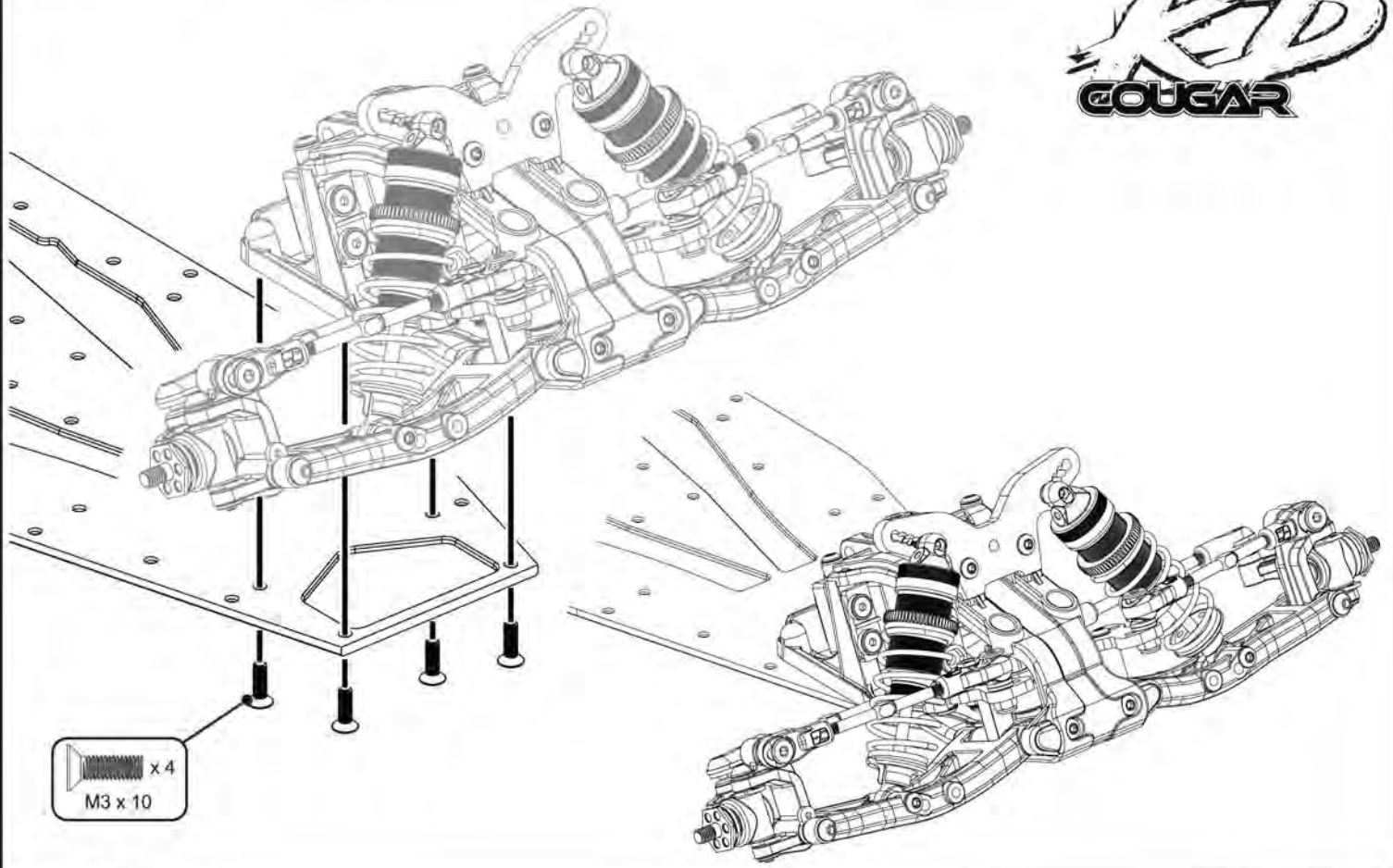


Fully compress the shaft into the body. Once the excess oil has been expelled from the shock, then fully tighten the cap.

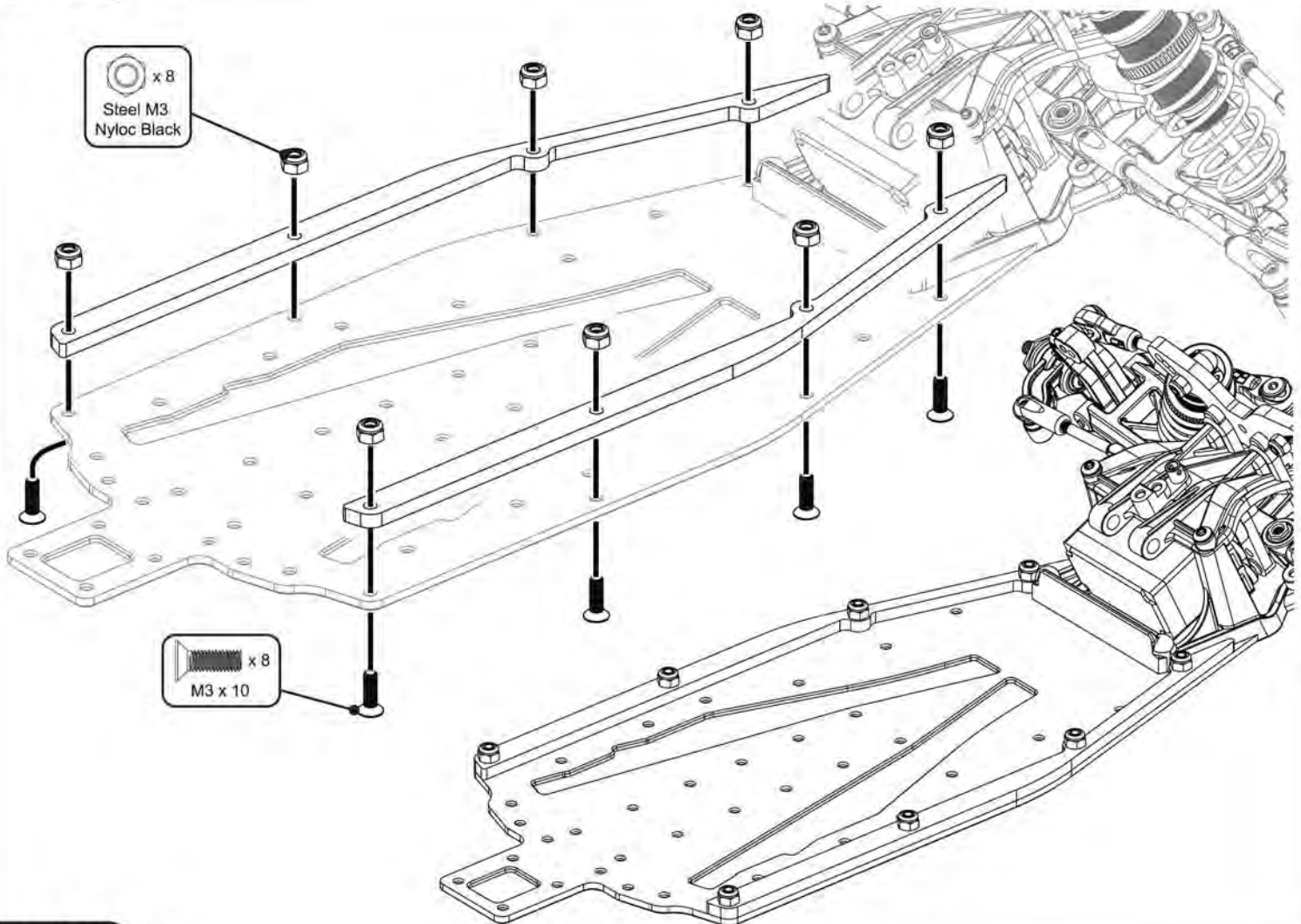
STEP 16



STEP 17

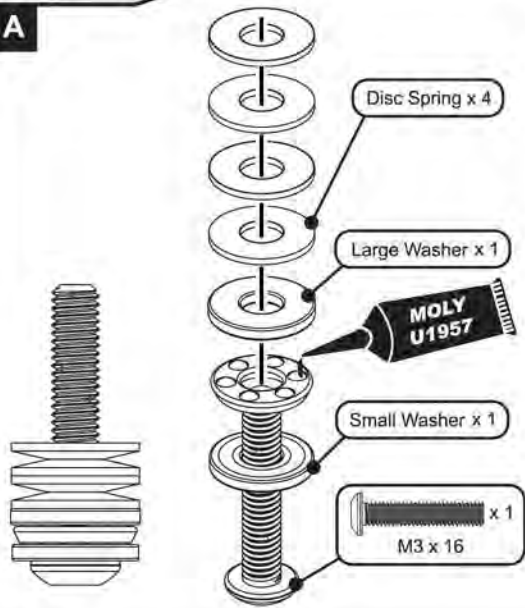


STEP 18



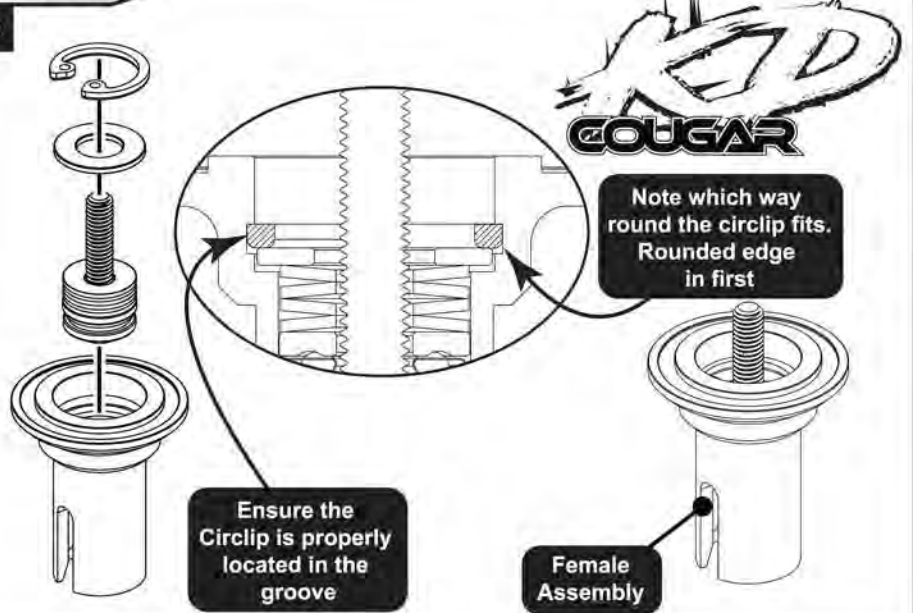
STEP 19

A



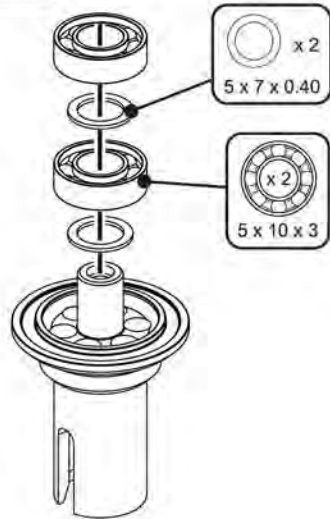
STEP 19

B



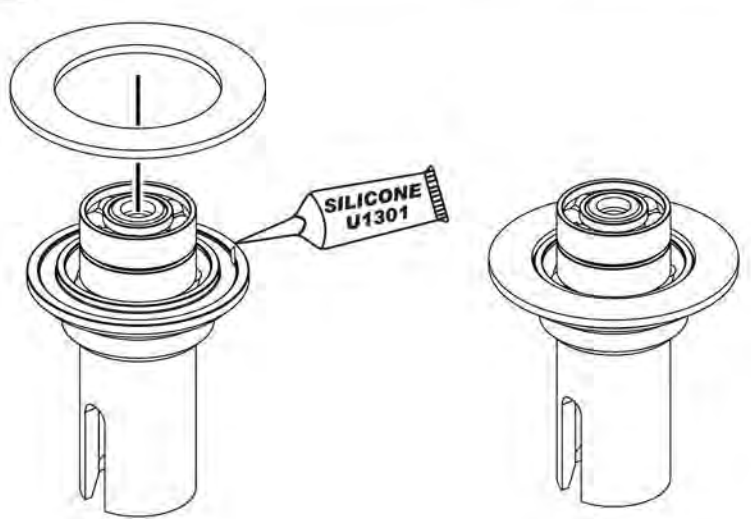
STEP 20

A



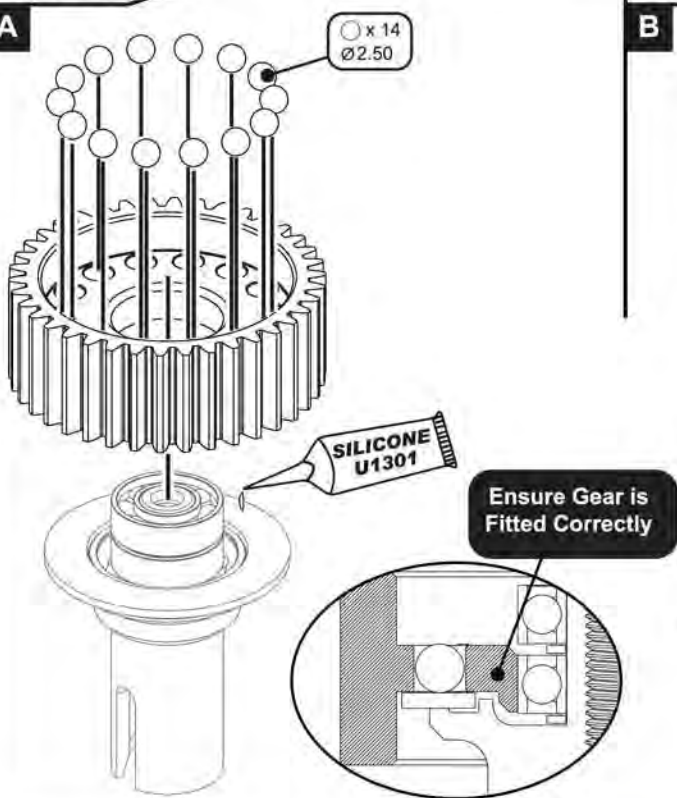
STEP 20

B



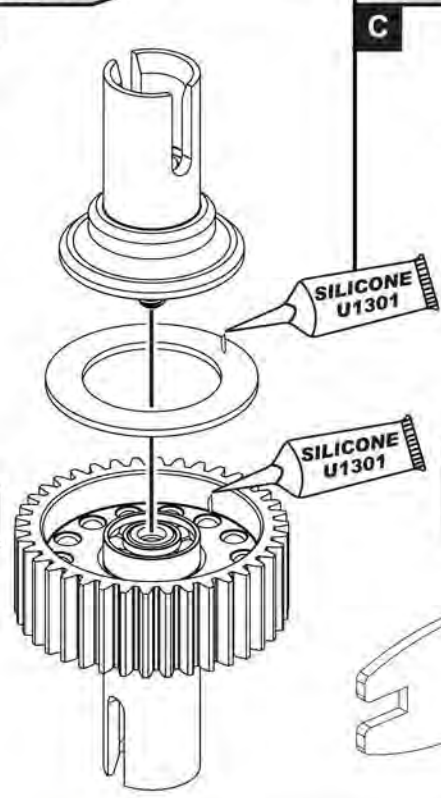
STEP 21

A



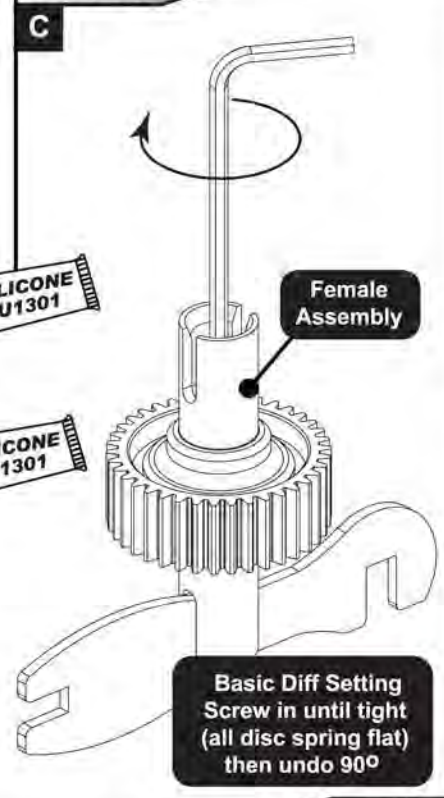
STEP 21

B

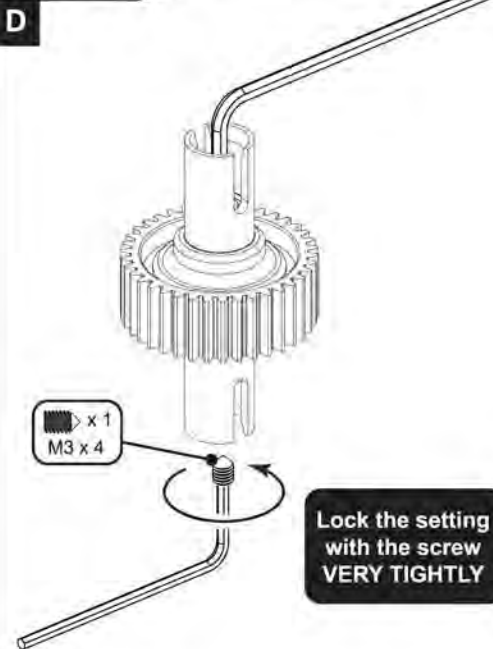


STEP 21

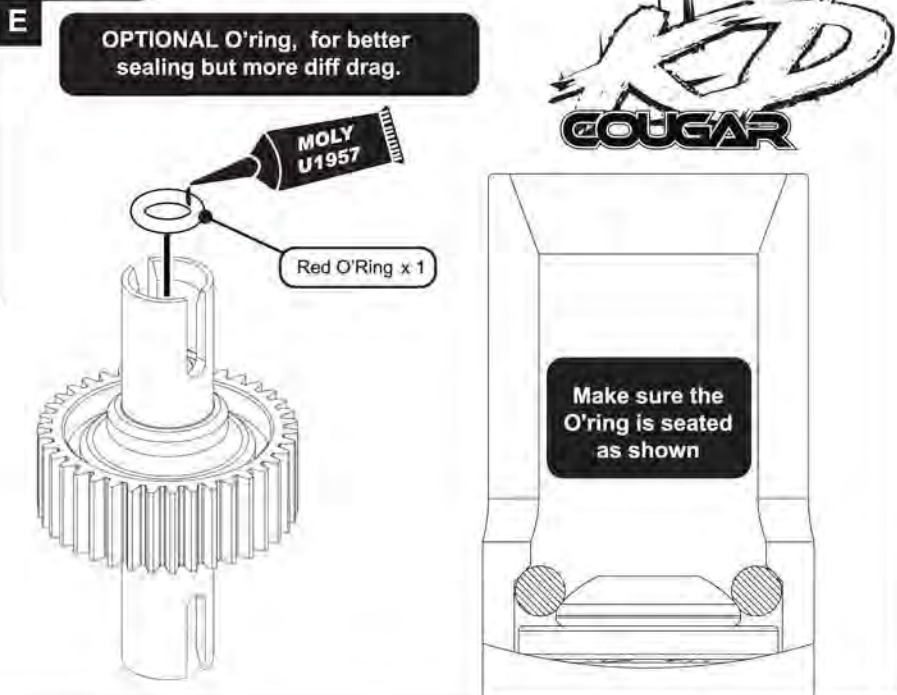
C



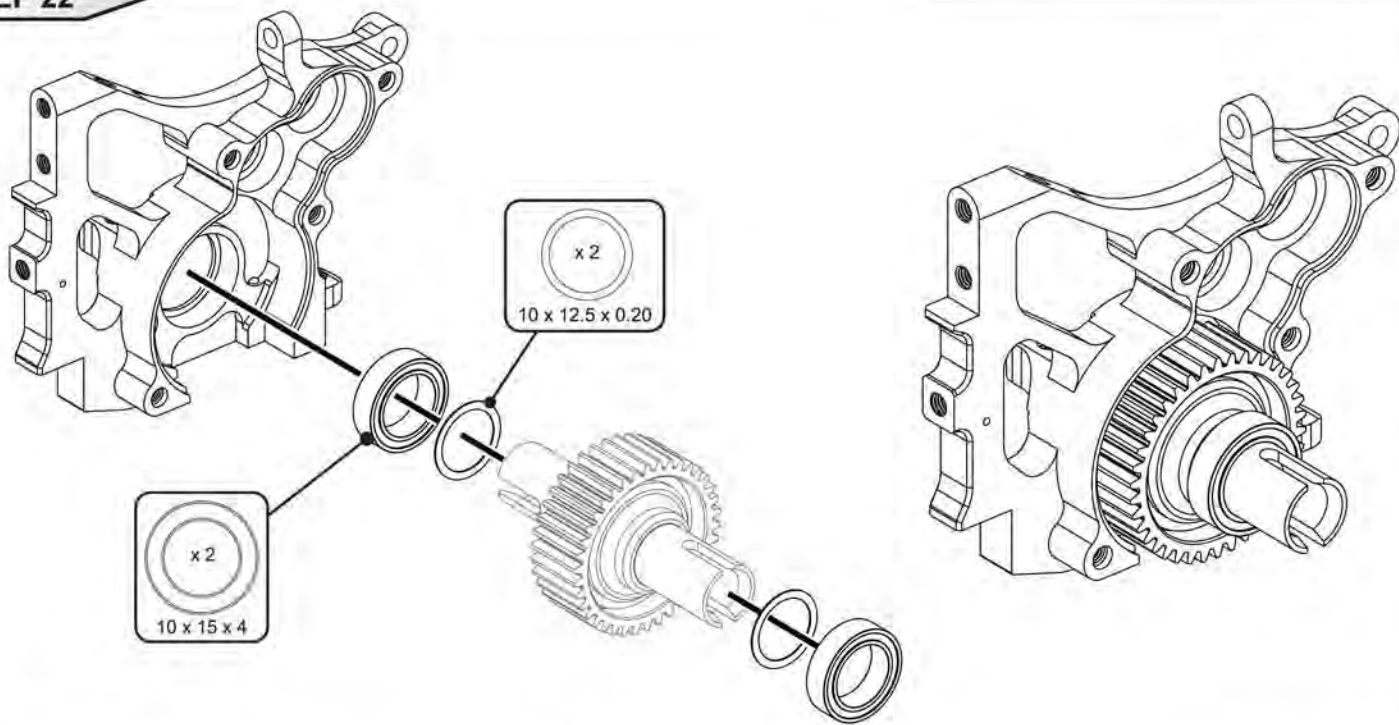
STEP 21



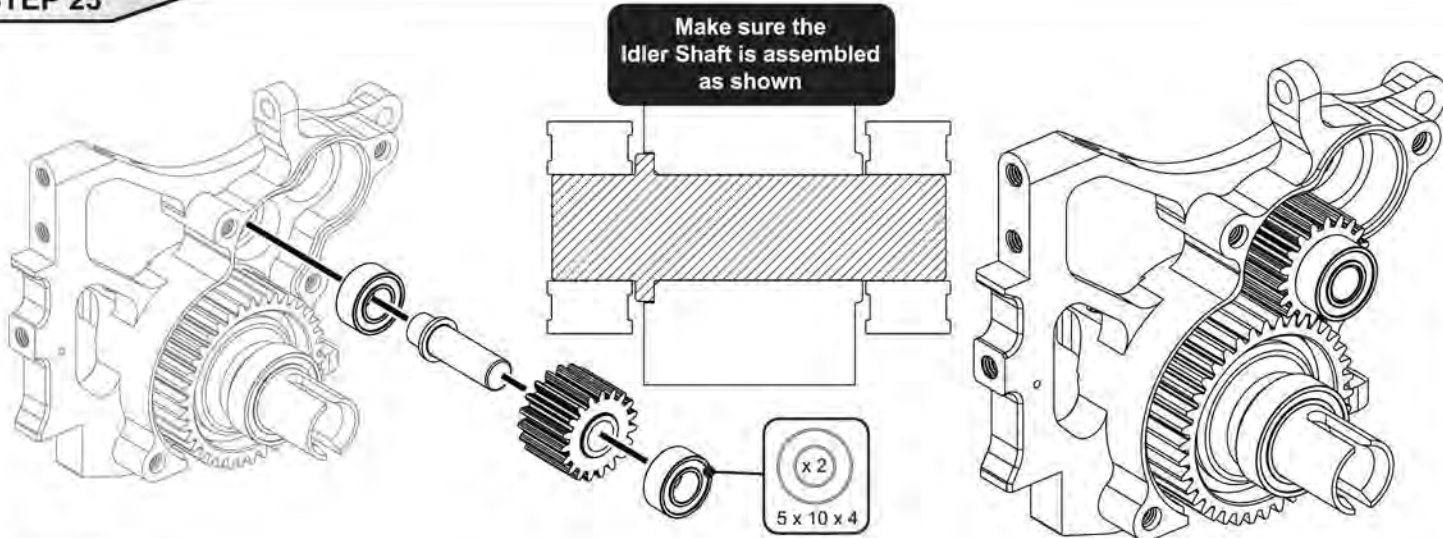
STEP 21



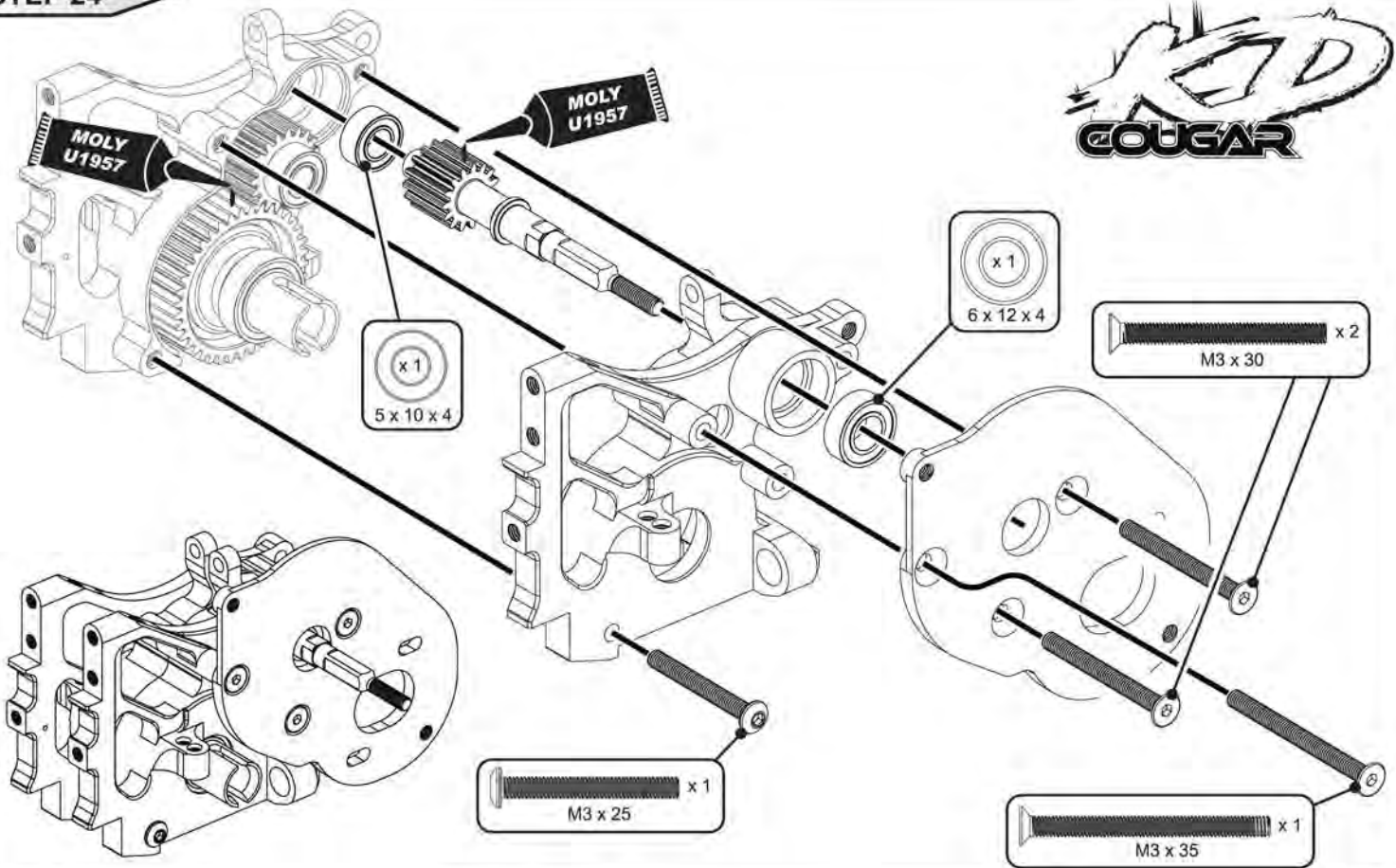
STEP 22



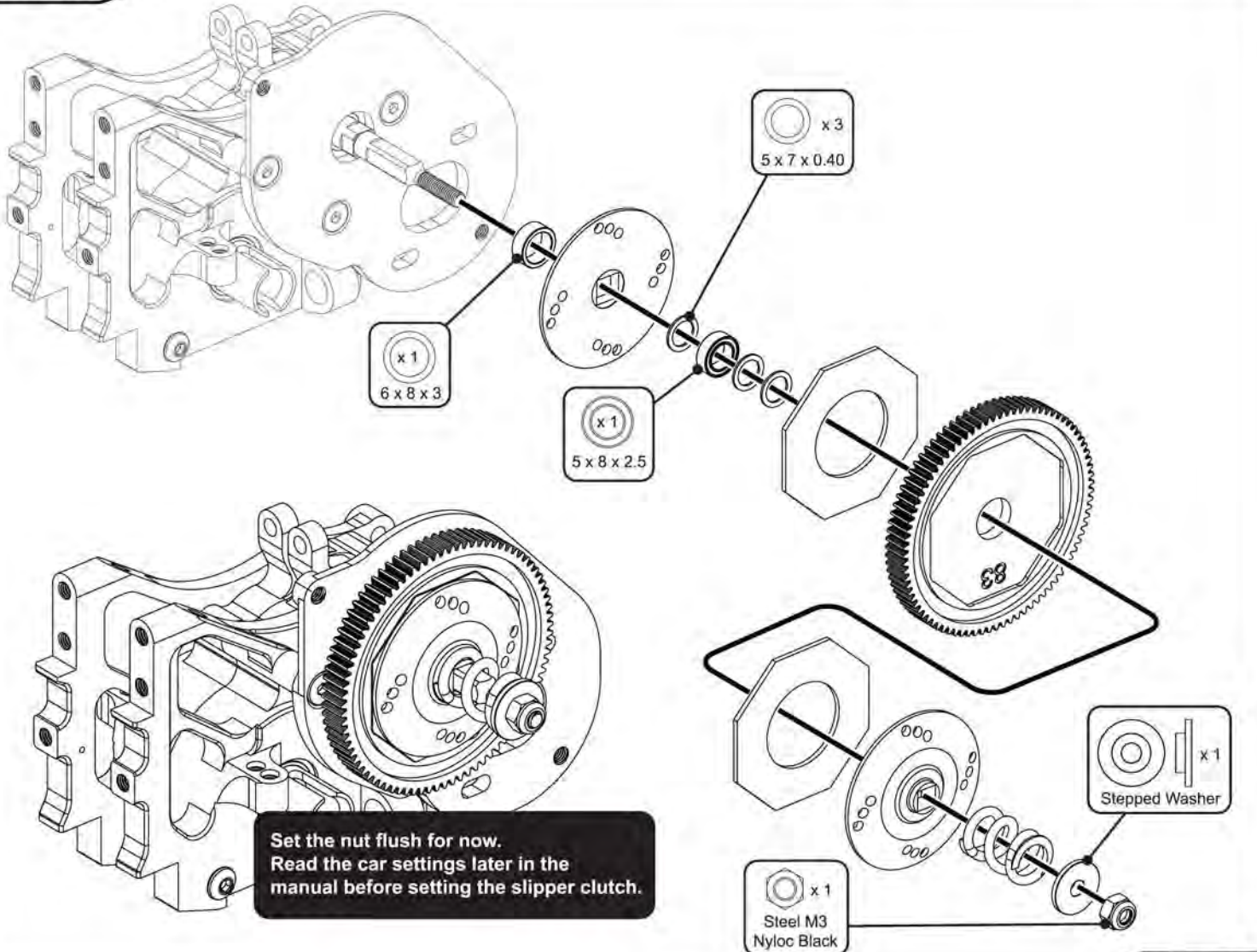
STEP 23



STEP 24

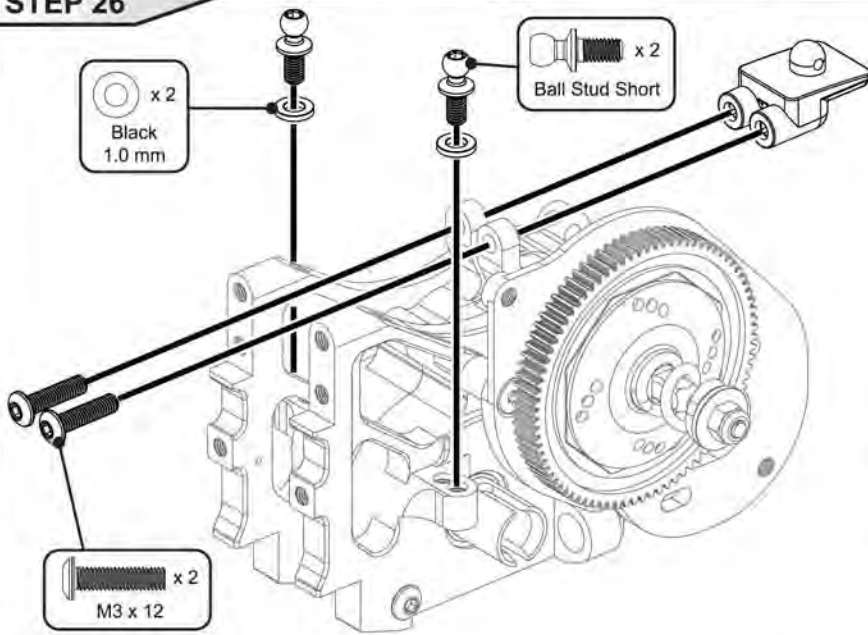


STEP 25

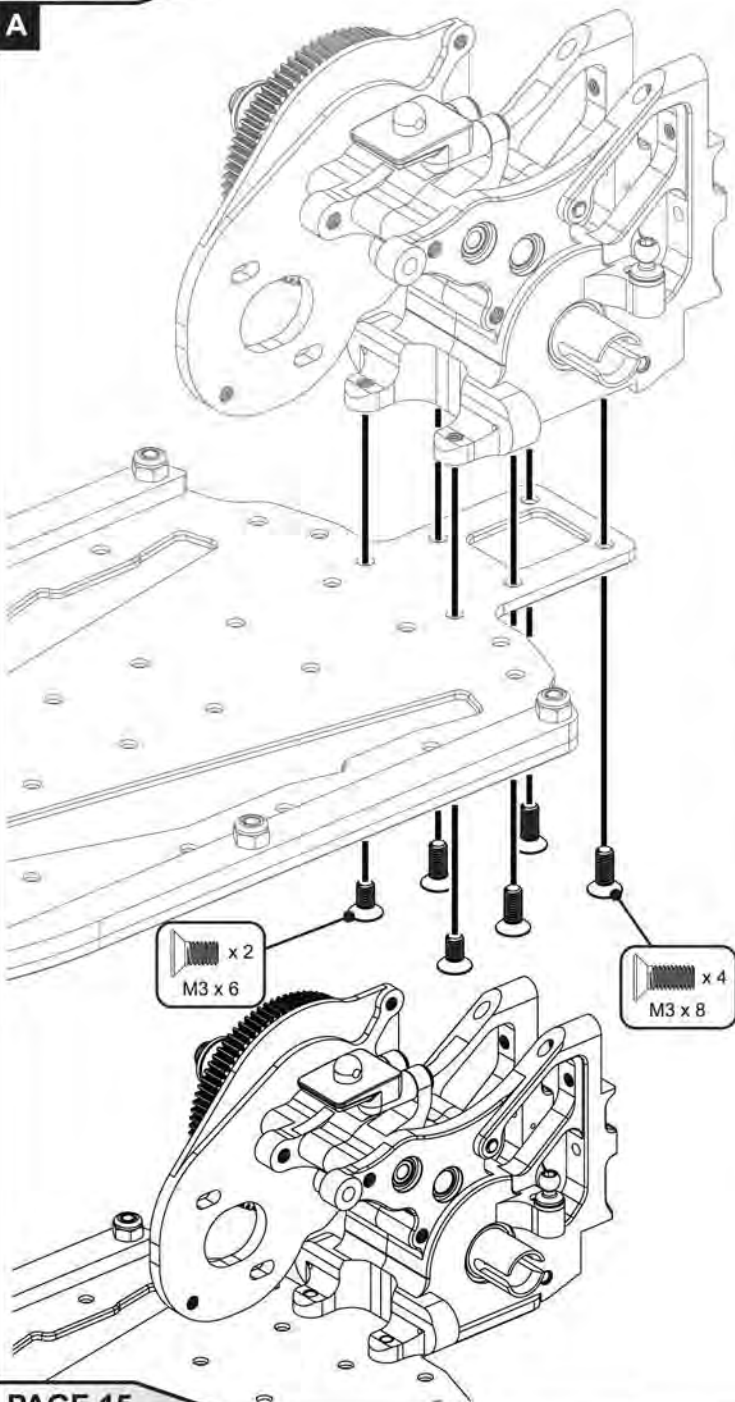


Set the nut flush for now.
Read the car settings later in the manual before setting the slipper clutch.

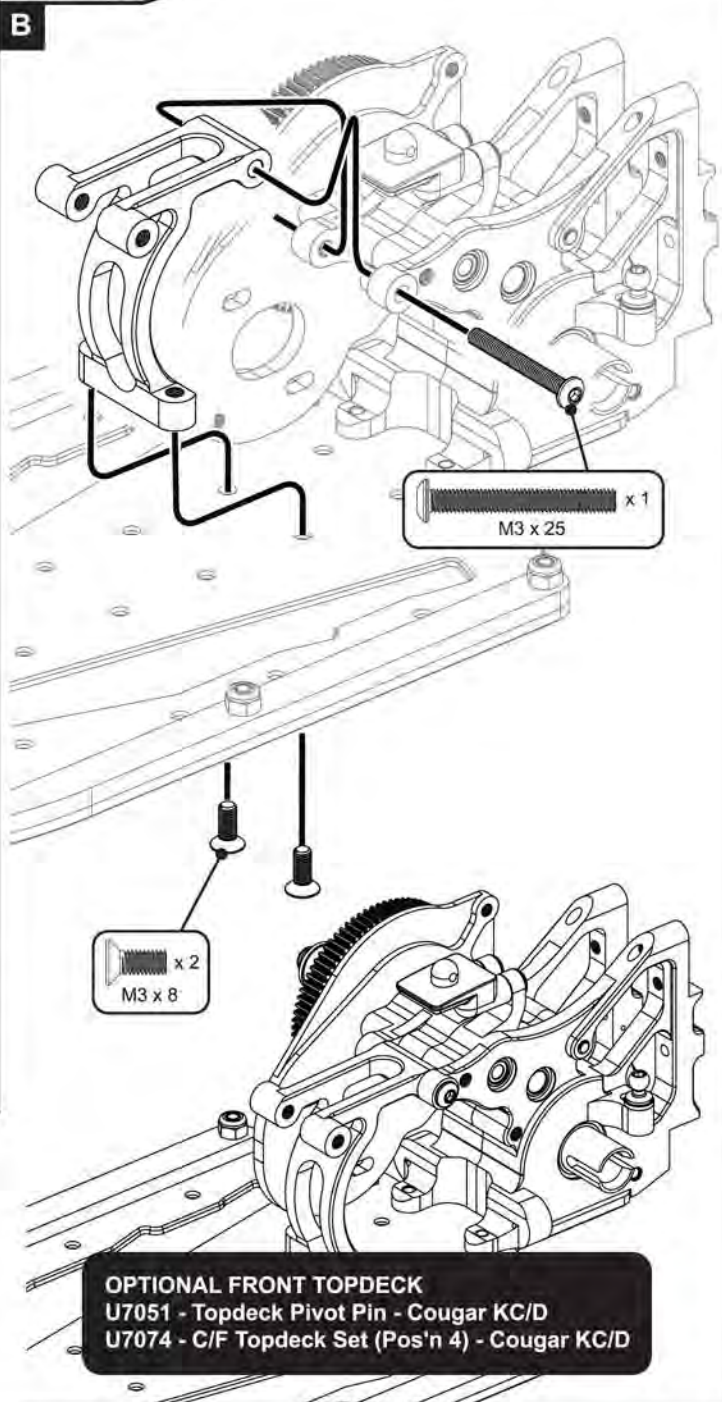
STEP 26



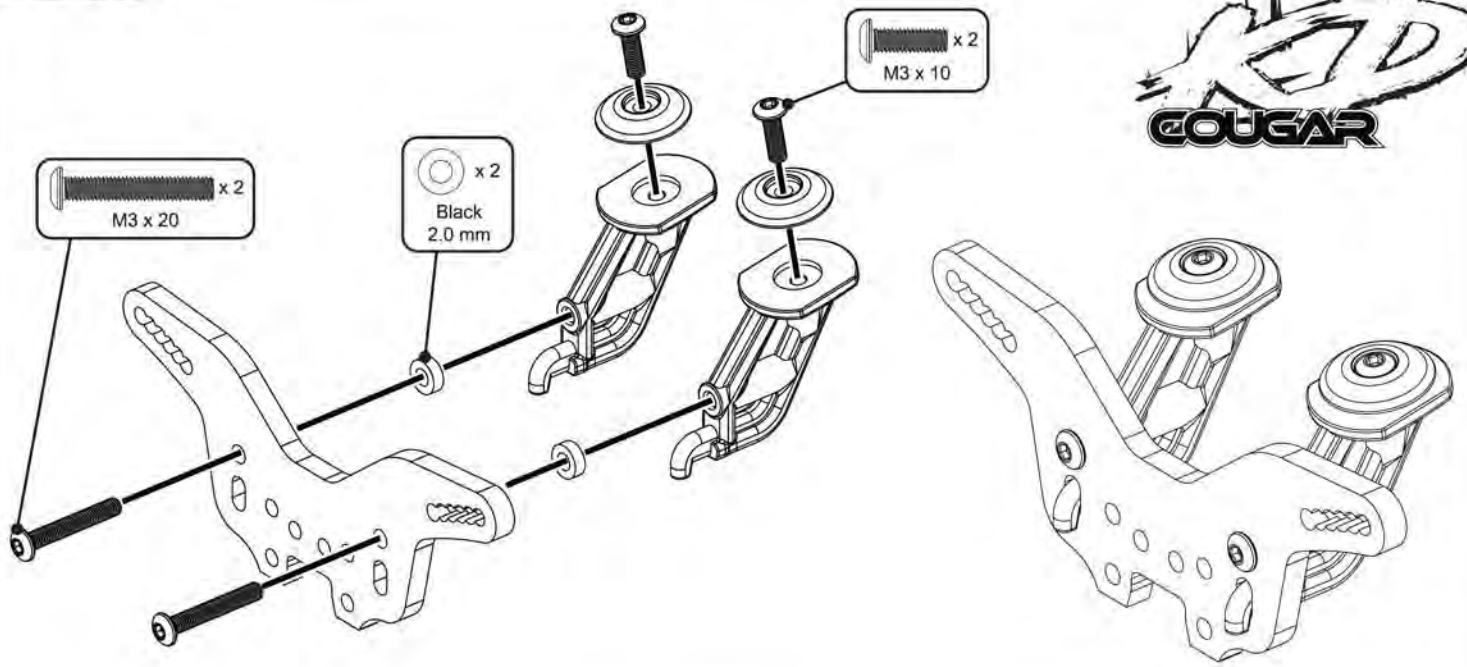
STEP 27



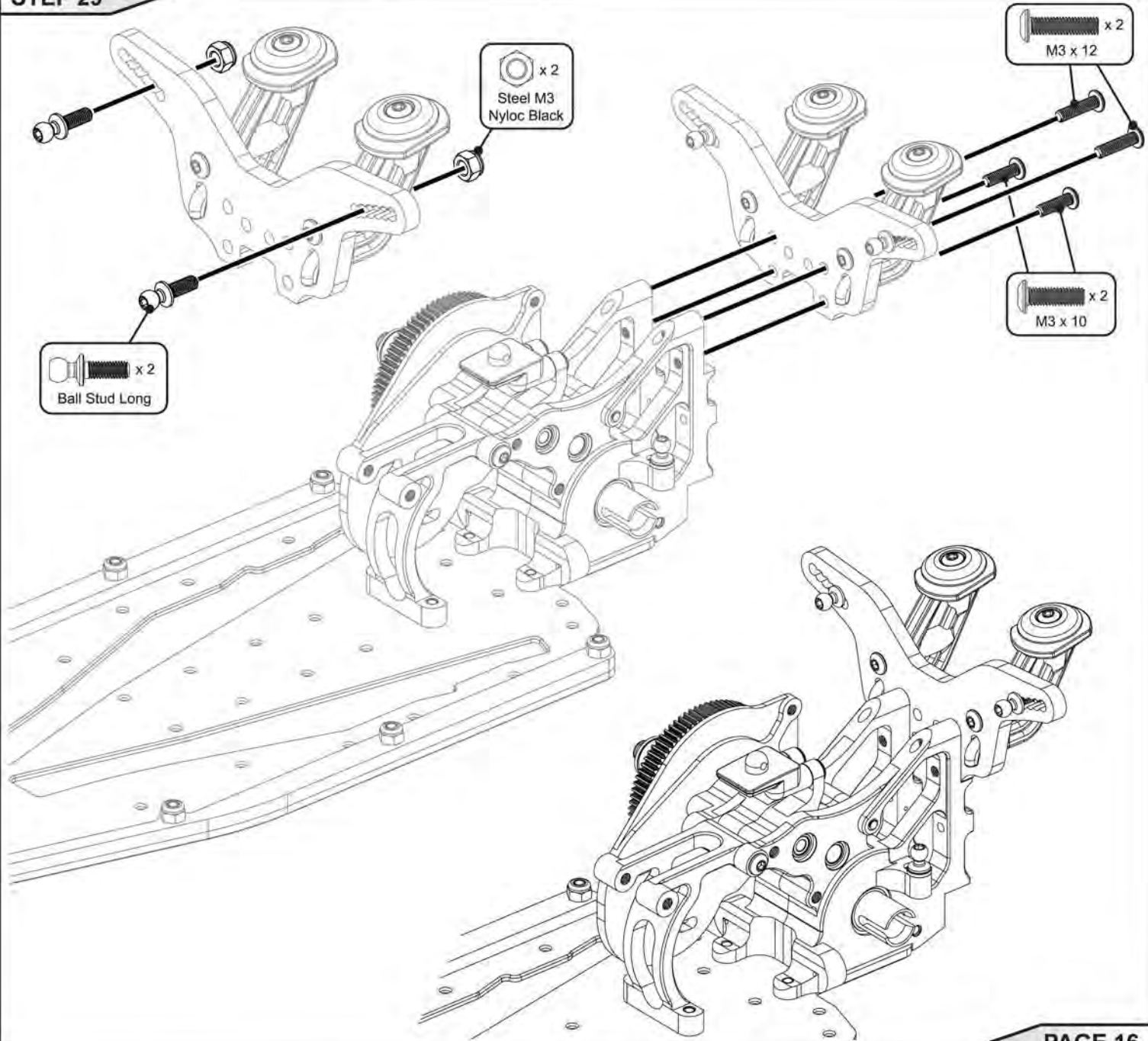
STEP 27



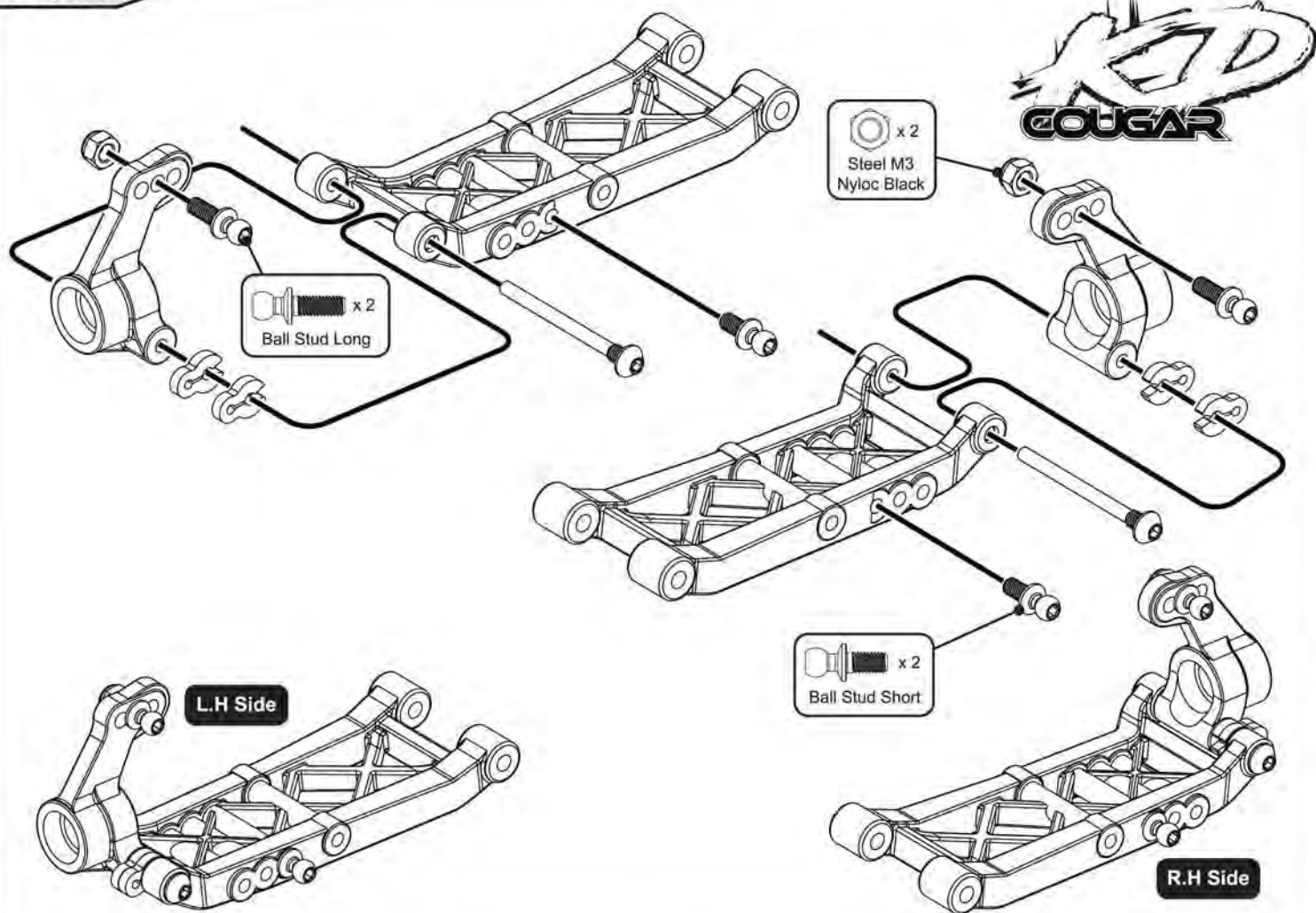
STEP 28



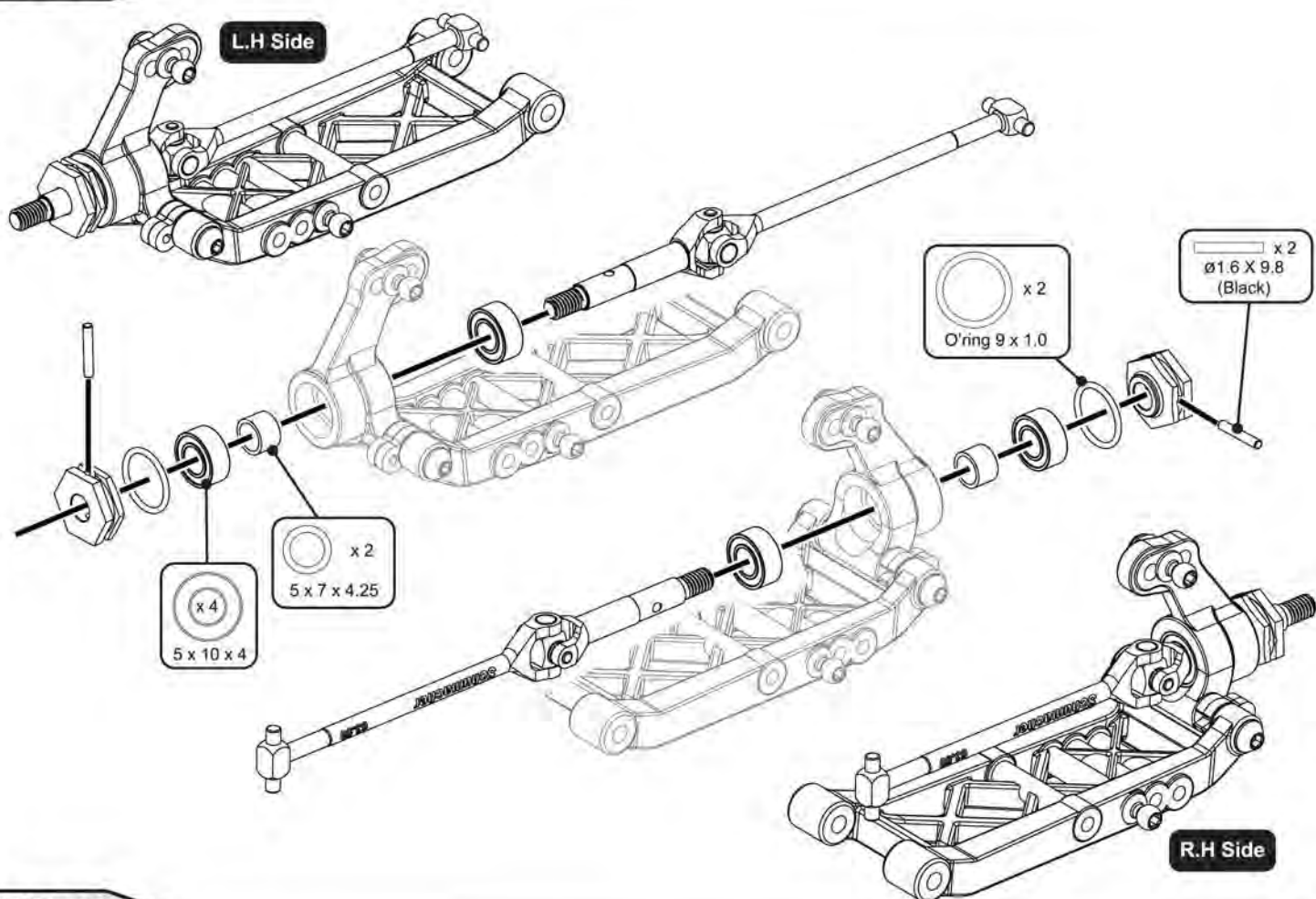
STEP 29



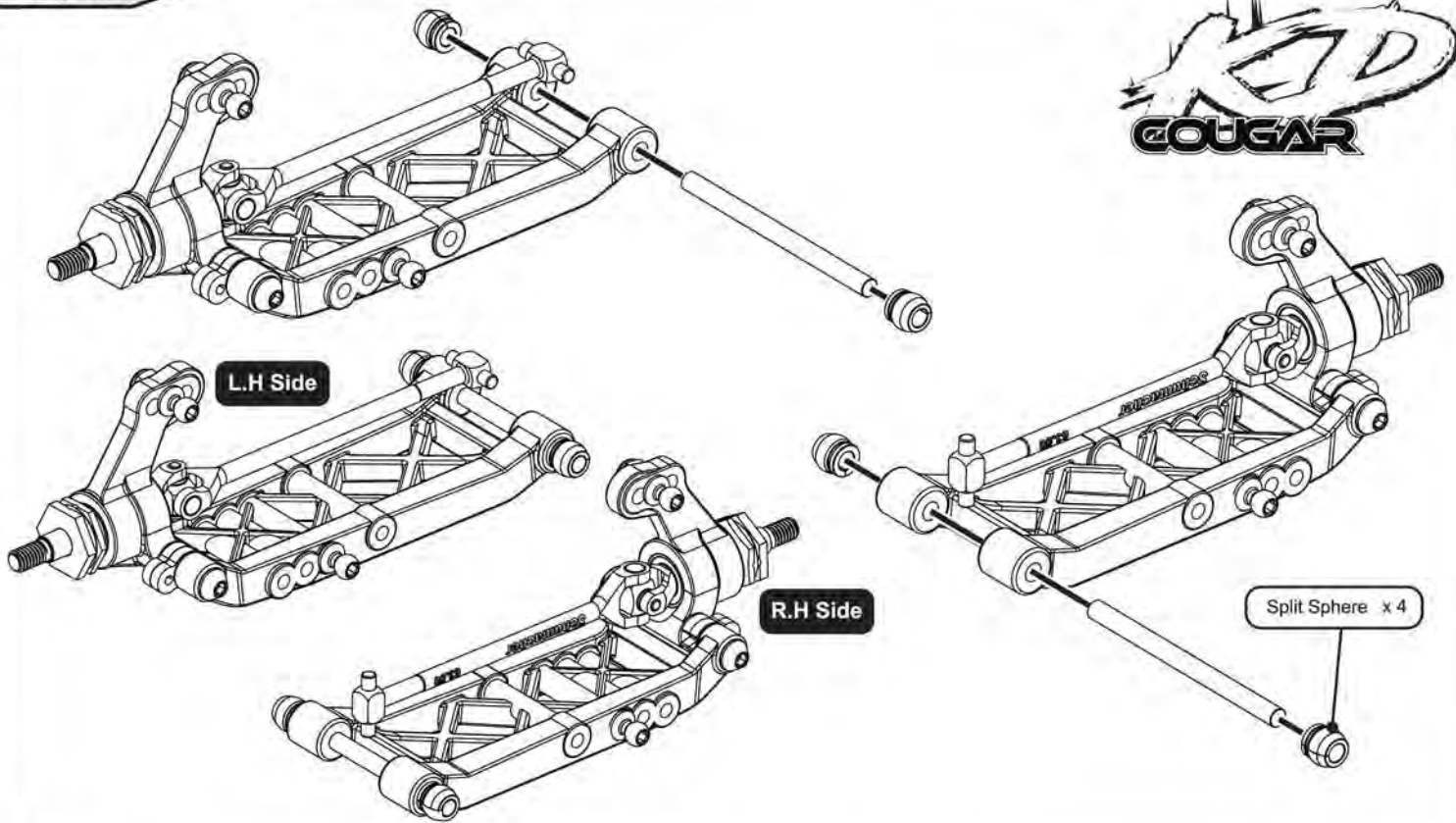
STEP 30



STEP 31



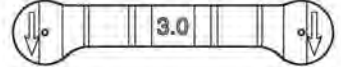
STEP 32



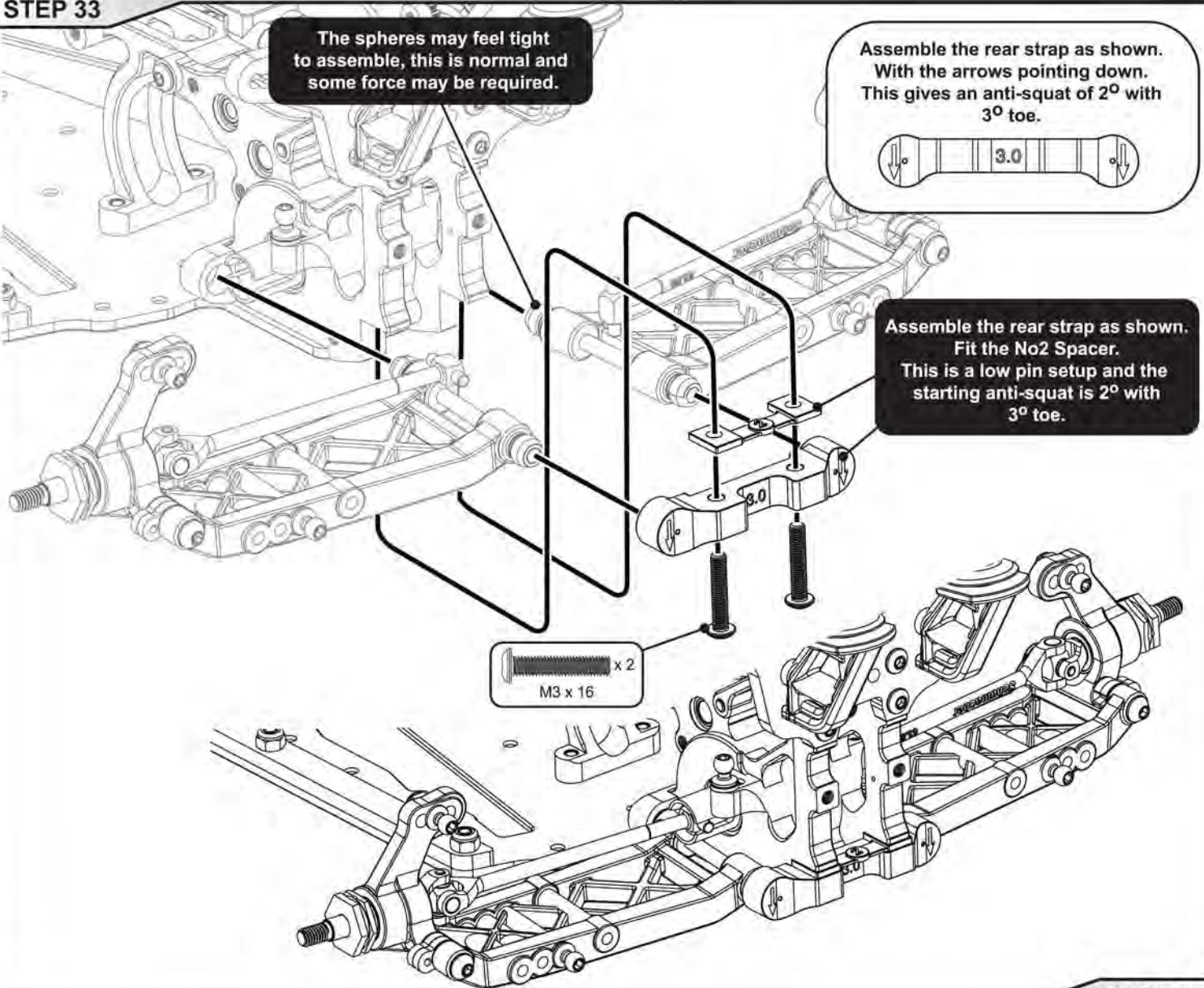
STEP 33

The spheres may feel tight to assemble, this is normal and some force may be required.

Assemble the rear strap as shown. With the arrows pointing down. This gives an anti-squat of 2° with 3° toe.

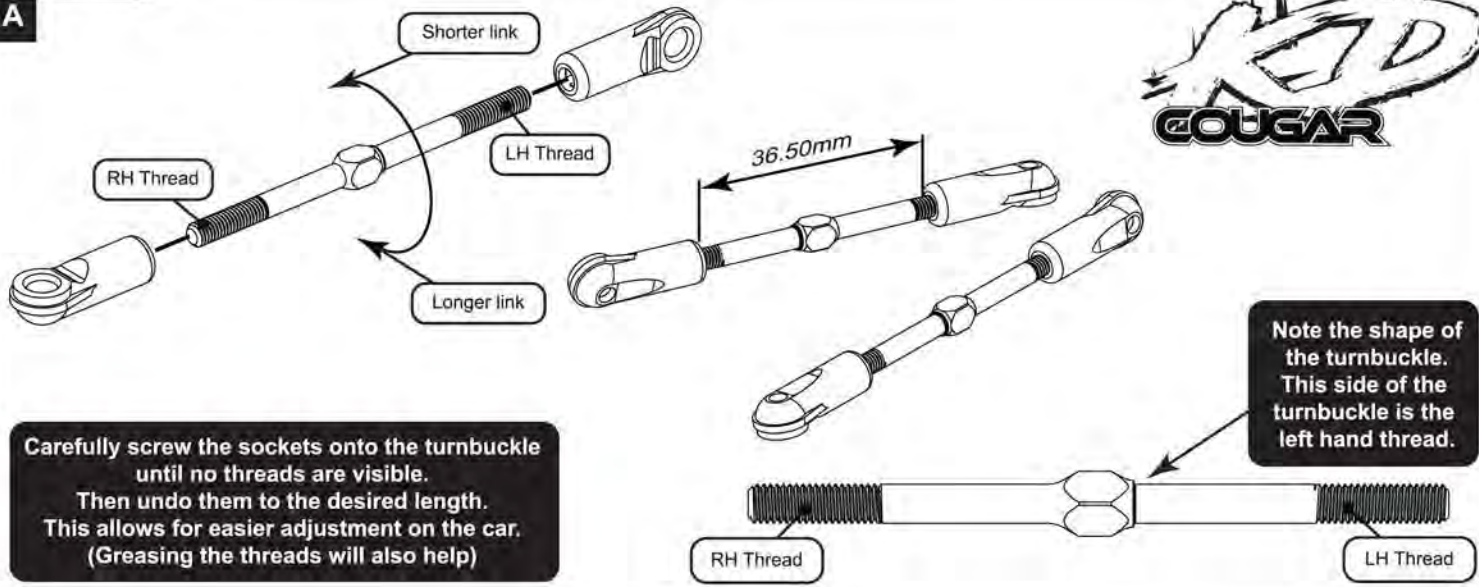


Assemble the rear strap as shown. Fit the No2 Spacer. This is a low pin setup and the starting anti-squat is 2° with 3° toe.



STEP 34

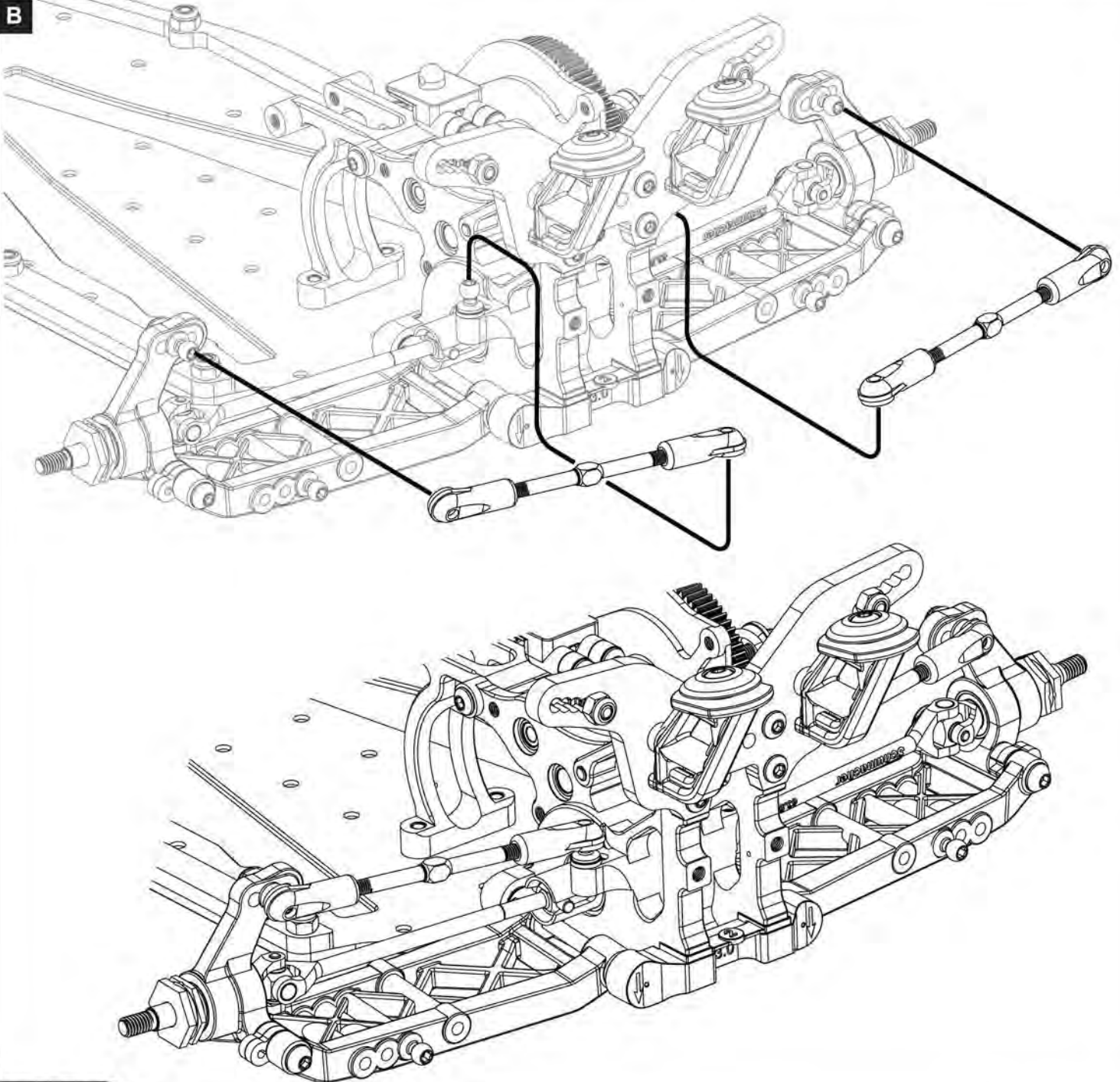
A



Carefully screw the sockets onto the turnbuckle until no threads are visible. Then undo them to the desired length. This allows for easier adjustment on the car. (Greasing the threads will also help)

STEP 34

B



**ELECTRIC - OFF ROAD CARS**

K171 Cougar KD - Kit

CHASSIS PARTS

U119 Aerial Tube - Pack 4
 U2231 Servo Arms
 U3690 Front Bumper - Cougar SV/SV2/KR/KF
 U3691 Servo Spacer - Cougar SV/SV2/KR/KF
 U3850 Wing Mount Set - Off Road
 U4031 Front Body Post - Cougar SV2
 U4765 Lipo Post Nut - CAT K2 - (2pcs)
 U4773 Aerial Mount - CAT K2
 U4778 LiPo Stops - CAT K2 - (4pcs)
 U7032 Instruction Manual - Cougar KD
 U7034 Alloy Chassis - Cougar KC/D
 U7035 C/F Side Pods - Cougar KC/D
 U7036 C/F Front Shock Mount - Cougar KC/D
 U7037 C/F Rear Shock Mount - Cougar KC/D
 U7038 C/F Front Link Mount - Cougar KC/D
 U7042 C/F Long Lipo Strap (pr) - Cougar KC/D
 U7045 Lipo Posts Std - Cougar KC/D
 U7046 Lipo Posts Short - Cougar KC/D
 U7049 Body Mount Mouldings - Cougar KC/D

BODYSHELLS AND DECALS

U5129 Claw Wing & Insert - Clear
 U5130 Claw Wing & Insert - White
 U5131 Claw Wing & Insert - Black
 U5132 Claw Wing & Insert - Carbon
 U5135 Bodyshell+Decal+Window Mask - Cougar KD
 U7091 Front Wing Mount Kit - Cougar KC/D
 U7092 Front Wing Mount Mouldings - Cougar KC/D
 U7093 Front Wings - Cougar KC/D

SUSPENSION

U3708 Quick Clips 2.4 x 2.0mm (pk4) - 2WD/4WD
 U3709 Radius Arms - Cougar - Pair
 U3710 Centre Track Rod - Cougar
 U3715 Pivot Pin; Screw Type 25mm pr
 U3718 Pivot Pin; 38mm - Cougar SV/SV2/KR/KF
 U3719 Pivot Pin; 45mm - Cougar SV
 U3729 WishbonePivot Spheres - Cougar SV pk4
 U3758 Yokes; 5 deg - Cougar
 U4036 Hub Carrier; Rear 0deg - Cat/Cougar pr
 U4055 Wishbones; Rear Kit - Cougar SV2
 U4094 Bulkhead - Cougar
 U4224 Turnbuckle Adjuster HTT - 60mm - pr
 U4273 Pro Ball Stud Ultra Short - pk4
 U4274 Pro Ball Stud Short - pk4
 U4275 Pro Ball Stud Long - pk4
 U4299 Turnbuckle HT - Touring 52mm - 1pr
 U4380 Front Hub Carriers - Cougar KR/KF V2 -pr
 U4381 Quick Clips 2.4 x 1.0mm (pk4) - 2WD/4WD
 U4382 Front Axle - Cougar KR/KF - pr
 U4462 Bottom Plate - Cougar KF
 U4688 Steering Pivots Long - KF2
 U4689 Steering Pivots Short - KF2
 U4704 Fluted Ball Grippa - Grey (pk8)
 U4707 Short Ball Grippa - Grey (pk8)
 U4736 Ball Stud Washer -CAT K2 - (8pcs)
 U4737 Captive Ball Joint Short - CAT K2 - (4pcs)
 U4738 Captive Ball Joint long - CAT K2 - (4pcs)
 U4783 Rear Outboard Pin - CAT K2 - (pr)
 U7079 Front Outboard Pivot Pin (pr) - Cougar KC/D
 U7080 Rear Suspension Strap - Cougar KC/D
 U7081 Front Wishbones Stiff - Cougar KC/D
 U7083 Rear Strap Spacers - Cougar KC/D
 U7133 Quik Clips 2.4x1.5mm (pk4) - 2WD/4WD

TRANSMISSION

U1954 Pro - Thrust Bearing
 U2761 Diff Shims; 10x12 (pk8)
 U3351 Gear; 83t Spur - Slipper

TRANSMISSION Cont....

U3364 Slipper Pad; PTFE Octagon pr
 U3740 Diff Washers; 18mm - Cougar SV
 U4005 Diff Output; Female - Cougar SV2
 U4006 Diff Output; Male - Cougar SV2
 U4037 Idler Gear + Shaft - Cougar SV2
 U4083 Slipper Spacer - Cougar SVR
 U4195 Driveshafts; Rear - K1/KF pr
 U4389 Alloy Wheel Hex Front - 2WD -pr
 U4486 Rear Wheel Bearing Spacers - Cougar KF - Pair
 U4488 12mm Hex Drive Pins - Off Road
 U4672 Alloy Outer Slipper Plate - KF2
 U4674 Slipper Spring Bush - KF2
 U4705 Alloy Inner Slipper Plate - KF2
 U4860 Narrow Wheel Hex - Rear - pr
 U4990 Layshaft - Cougar KD
 U4991 Alloy Trans Housing RH - Cougar KD
 U4992 Alloy Trans Housing LH - Cougar KD
 U4993 Alloy Motor Plate - Cougar KD
 U4994 Gear Cover - Cougar KD
 U4995 Ball Diff Gear - Cougar KD
 U7065 Slipper Spring Twin Plate - 2WD/4WD
 U7073 Alloy Motor Guard - Cougar KD
 U7128 Ball Diff Rebuild Kit - Cougar KD
 U7130 Ball Diff Complete - Cougar KD

BIG BORE SHOCKS

RI-29101 Ride Shock Air Remover - Long
 U3667 Big Bore Shock; Seal Rebuild Kit - Off Rd pr
 U3668 Big Bore Shock Rods; Med pr
 U3669 Big Bore Shock Rods; Long pr
 U3670 Big Bore Piston; 2 Hole White 1.5 (pr)
 U3706 Rod End Ball + Socket - Cougar SV2 pr
 U3770 Big Bore Piston; 3 Hole White 1.5 Rounded (pr)
 U3782 HD Diaphragm Big Bore - pk4
 U3937 Shock Mouldings
 U4110 Off Road Shock O Ring 1/8 Silicone Pk 8
 U4285 Pro Shock Seal Blue - On Road - pk8
 U4371 Big Bore Shock Adjusting Collar (Black) - pr
 U4451 Big Bore Shock Collar O-ring - pk4
 U4490 Big Bore Shock Body Med V2 pr
 U4491 Big Bore Shock Body Long V2 pr
 U4701 Big Bore Piston - 3 Hole Black 1.6 Rounded (pr)
 U4702 Shock Seal Housing V2 - Big Bore - (pr)
 U4707 Short Ball Grippa - Grey (pk8)
 U7084 Shock Top Ring (pr) - Cougar KC/D
 U7085 Shock Top (pr) - Cougar KC/D
 U7086 Big Bore Piston - 2 Hole Black 1.60 (pr)
 U7087 Big Bore Piston - 2 Hole Red 1.70 (pr)
 U7131 Front Shocks (Springs NOT Included) - Cougar KC/D
 U7132 Rear Shocks (Springs NOT Included) - Cougar KC/D

BIG BORE SPRINGS

CR177 CORE RC Big Bore Spring Tuning Set; Med 7prs
 CR178 CORE RC Big Bore Spring Tuning Set; Long 5prs
 CR179 Big Bore Spring; Med White - 2.8 pr
 CR180 Big Bore Spring; Med Red - 3.1 pr
 CR181 Big Bore Spring; Med Green - 3.4 pr
 CR182 Big Bore Spring; Med Blue - 3.7 pr
 CR183 Big Bore Spring; Med Black - 4.0 pr
 CR184 Big Bore Spring; Long White - 1.8 pr
 CR185 Big Bore Spring; Long Red - 2.0 pr
 CR186 Big Bore Spring; Long Green - 2.2 pr
 CR187 Big Bore Spring; Long Blue - 2.4 pr
 CR188 Big Bore Spring; Long Black - 2.6 pr

**BIG BORE SPRINGS Cont....**

CR635	Big Bore Spring; Med Orange - 4.3 pr
CR636	Big Bore Spring; Med Yellow - 4.6 pr
U3673	Big Bore Spring Tuning Set; Med 7prs
U3675	Big Bore Spring; Med - 2.0 pr
U3676	Big Bore Spring; Med - 2.5 pr
U3677	Big Bore Spring; Med - 3.0 pr
U3678	Big Bore Spring; Med - 3.5 pr
U3679	Big Bore Spring; Med - 4.0 pr
U3680	Big Bore Spring; Med - 4.5 pr
U3681	Big Bore Spring; Med - 5.0 pr
U3682	Big Bore Spring; Long - 1.6 pr
U3683	Big Bore Spring; Long - 2.0 pr
U3684	Big Bore Spring; Long - 2.5 pr
U3685	Big Bore Spring; Long - 3.0 pr
U3686	Big Bore Spring; Long - 3.5 pr
U3687	Big Bore Spring; Long - 4.0 pr

BEARINGS AND BALLS

G200	ZX1 - Microlube
H1031	Bearing Blaster Aerosol 500ml
U1300	Axle Grease - Pot
U1301	Silicone Diff Lube - Pot
U1957	Moly Grease - Pot
U2698	Ball Bearing - 5x10x4 Red Seal - (pr)
U2699	Ball Bearing - 10x15x4 Red Seal - (pr)
U3075	Ball Bearing - 4x8x3mm Red Seal - (pr)
U3136	Ball Bearing - 5x8x2.5 - Shield (pr)
U3855	Ball Bearing - 5x10x3 Open - (pr)
U3871	Ball Bearing - 5x9x3 Red Seal - (pr)
U4084	Ball Bearing - 6x12x4 Red Seal - (pr)
U7030	Diff Balls T/C 2.5mm (pk14)

SPEED PACKS

CR024	CORE RC - Serrated M4 Steel Wheel Nut pk4
CR035	CORE RC - Serrated Alloy M4 Nuts; Blue pk 4
CR036	CORE RC - Serrated Alloy M4 Nuts; Violet pk 4
CR061	Small Body Clip 1/10 - Silver (8)
CR062	Small Body Clip 1/10 - Gold (8)
CR063	Small Body Clip 1/10 - Fluorescent Yellow (8)
CR064	Small Body Clip 1/10 - Fluorescent Green (8)
CR065	Small Body Clip 1/10 - Fluorescent Red (8)
CR066	Small Body Clip 1/10 - Metallic Green (8)
CR067	Small Body Clip 1/10 - Metallic Red (8)
CR068	Small Body Clip 1/10 - Metallic Blue (8)
CR069	Small Body Clip 1/10 - Metallic Purple (8)
CR196	Core RC - Serrated Alloy M4 Nuts - Black - pk4
U1548	SPEED PACK - M3 Washers
U1550	SPEED PK-Socket Wrenches-1.5/2.0/2.5/3.0mm
U1551	SPEED PACK - E Clips -2 x 8pcs
U1552	SPEED PACK - R Clips
U1606	SPEED PACK - Servo Tape - 30pk
U1960	SPEED PACK - O Rings; Various
U2128	SPEED PACK - Grub-Set Screws M3 M4
U2187	SPEED PACK - M3 Nyloc Nut - Purple Alloy (pk8)
U2856	SPEED PACK - Sticky Cable Clips (pk10)
U2857	SPEED PACK - Small Cable Ties (pk25)
U2988	SPEED PACK - M3 Csk Washers - Purple Alloy (pk10)
U3021	SPEED PACK - M3x6 Csk Hd - (pk10)
U3022	SPEED PACK - M3x8 Csk Hd - (pk10)
U3023	SPEED PACK - M3x10 Csk Hd - (pk10)
U3131	SPEED PACK - Alloy Spacers M3x7mm 0.5;1;2mm (pk18)
U3572	SPEED PACK - M3x14 Grub Srew pk4
U3755	SPEED PACK - M3x16 Unbrako Button Hd
U3938	SPEED PACK - Black nylon washer 2mm (pk 10)
U4124	SPEED PACK - Shims 5 x 7 x 0.4mm - pk6
U4155	SPEED PACK - M3 Csk Washers - Black Alloy (pk10)
U4210	SPEED PACK - Pinion Grub Screw Set pk10
U4314	SPEED PACK - Alloy Black M3 Washers - 18pc
U4351	SPEED PACK - Shims 3.2x6x0.1mm - pk8
U4650	SPEED PACK - M3 Nyloc Nut Steel - Black (10pcs)

SPEED PACKS Cont....

U4662	SPEED PACK - M3x4 Grub Screw - Cone Point (pk10)
U4835	SPEED PACK - M3 Steel Nut Black (pk8)
U7090	SPEED PACK - M4x20 Grub Screw (pk4)
U7102	SPEED PACK - M3x4 Button Hd (pk10)
U7104	SPEED PACK - M3x8 Button Hd (pk10)
U7105	SPEED PACK - M3x10 Button Hd (pk10)
U7106	SPEED PACK - M3x12 Button Hd (pk10)
U7107	SPEED PACK - M3x16 Button Hd (pk10)
U7108	SPEED PACK - M3x20 Button Hd (pk10)
U7109	SPEED PACK - M3x25 Button Hd (pk10)
U7112	SPEED PACK - M3x8 Cap Hd (pk10)
U7121	SPEED PACK - M2.5x12 Csk Hd (pk10)
U7126	SPEED PACK - M3x30 Csk Hd (pk10)
U7127	SPEED PACK - M3x35 Csk Hd (pk10)

SPEED SECRET - OPTION PARTS

CR043	CORE RC - Silver X-Weights 16pcs
CR058	CORE RC - Black X-Weights 16pcs
CR192	Alloy Servo Arm 25T - Futaba Short
CR193	Alloy Servo Arm 23T - KO/Sanwa Short
MR-CSOFFROAD	MR33 Car Stand Off Road
S500B	Schumacher BANNER 6x3ft
U1573	Titanium Turnbuckle; purple - 53mm (pr)
U1574	Titanium Turnbuckle; purple - 60mm (pr)
U1954	Pro - Thrust Bearing
U2566	Titanium Turnbuckle; purple - 45mm (pr)
U3348	Gear; CNC 80t Spur - Slipper
U3350	Gear; CNC 82t Spur - Slipper
U3499	Roll Bar Blocks - Mi4 pk4
U3605	Alloy Rear Hubs; 1 deg - CAT/Cougar
U3712	Yokes; 0 deg - Cougar SV/SV2/KR/KF
U3790	Gear; CNC 76T Spur - Slipper
U4054	Wishbones Rear Medium - Cougar SV2
U4223	Turnbuckle Adjuster HTT - 45mm - pr
U4226	Gear; CNC 71T Spur - Slipper
U4228	Alloy Yokes - 2WD - 5deg - Cougar
U4352	Gear Diff Complete
U4378	Skid Plate - Cougar
U4388	Alloy Wheel Hex Rear - Off Road - pr
U4550	Roll Bar Clamps - Mi5evo - (pk4)
U4619	Alloy Center Track Rod - 2WD
U4620	Alloy Hub Carrier 2WD Front L/R - pr
U4670	Slipper Cage - KF2
U4671	Mid Slipper Plate - KF2
U4673	Slipper Spring - KF2
U4703	Alloy Yokes 0deg - 2wd
U4800	Rear Roll Bar Ball - Black - CAT K2 - (2pcs)
U4831	Aerial Tube Cap - Black - 6pk
U4890	Alloy Spring Seat - Off Road - pr
U4998	Alloy Rear Hub Carriers + Inserts - 2WD/4WD
U4999	Front Brass Weight - Cougar KC/D
U7031	Socket Grey 8mm (pk4)
U7047	Wide Brass Rear Strap - Cougar KC/D
U7050	Multi Plate Slipper Conversion - Cougar KC/D
U7051	Topdeck Pivot Pin - Cougar KC/D
U7071	Rear Roll Bar Kit - Cougar KD
U7072	Front Roll Bar Kit - Cougar KC/D
U7074	C/F Topdeck Set (Pos'n 4) - Cougar KC/D
U7091	Front Wing Mount Kit - Cougar KC/D
U7092	Front Wing Mount Mouldings - Cougar KC/D
U7093	Front Wings - Cougar KC/D
U7097	C/F Chassis - Cougar KC/D
U7098	Alloy Sidepods (pr) - Cougar KC/D
U7134	Alloy Front Link Mount - Cougar KC/D
U7135	Front Wishbones Med - Cougar KC/D
U7138	Cougar KD to KC conversion Kit - Cougar KD

**SHOCK AND DIFF OIL**

CR200 CORE RC Silicone Oil - 100cSt - 60ml
 CR201 CORE RC Silicone Oil - 150cSt - 60ml
 CR202 CORE RC Silicone Oil - 200cSt - 60ml
 CR203 CORE RC Silicone Oil - 250cSt - 60ml
 CR204 CORE RC Silicone Oil - 300cSt - 60ml
 CR205 CORE RC Silicone Oil - 350cSt - 60ml
 CR206 CORE RC Silicone Oil - 400cSt - 60ml
 CR207 CORE RC Silicone Oil - 450cSt - 60ml
 CR208 CORE RC Silicone Oil - 500cSt - 60ml
 CR209 CORE RC Silicone Oil - 550cSt - 60ml
 CR210 CORE RC Silicone Oil - 600cSt - 60ml
 CR211 CORE RC Silicone Oil - 700cSt - 60ml
 CR212 CORE RC Silicone Oil - 800cSt - 60ml
 CR213 CORE RC Silicone Oil - 900cSt - 60ml
 CR214 CORE RC Silicone Oil - 1000cSt - 60ml
 CR215 CORE RC Silicone Oil - 1300cSt - 60ml
 CR216 CORE RC Silicone Oil - 2000cSt - 60ml
 CR217 CORE RC Silicone Oil - 3000cSt - 60ml
 CR218 CORE RC Silicone Oil - 4000cSt - 60ml
 CR219 CORE RC Silicone Oil - 5000cSt - 60ml
 CR220 CORE RC Silicone Oil - 6000cSt - 60ml
 CR221 CORE RC Silicone Oil - 7000cSt - 60ml
 CR222 CORE RC Silicone Oil - 10000cSt - 60ml
 CR223 CORE RC Silicone Oil - 20000cSt - 60ml
 CR224 CORE RC Silicone Oil - 30000cSt - 60ml
 CR225 CORE RC Silicone Oil - 40000cSt - 60ml
 CR226 CORE RC Silicone Oil - 50000cSt - 60ml
 CR227 CORE RC Silicone Oil - 100000cSt - 60ml
 CR228 CORE RC Silicone Oil - 300000cSt - 60ml
 CR229 CORE RC Silicone Oil - 12000cSt - 60ml
 CR230 CORE RC Silicone Oil - 15000cSt - 60ml
 G010 Pure Silicone Shock Oil - 10w
 G015 Pure Silicone Shock Oil - 15w
 G020 Pure Silicone Shock Oil - 20w
 G025 Pure Silicone Shock Oil - 25w
 MR33-OB MR33 New Oil Bag

PINIONS

U2305 16T Steel Pinion - 48 D.P.
 U2306 17T Steel Pinion - 48 D.P.
 U2307 18T Steel Pinion - 48 D.P.
 U2308 19T Steel Pinion - 48 D.P.
 U2309 20T Steel Pinion - 48 D.P.
 U2310 21T Steel Pinion - 48 D.P.
 U2311 22T Steel Pinion - 48 D.P.
 U2312 23T Steel Pinion - 48 D.P.
 U2313 24T Steel Pinion - 48 D.P.
 U2314 25T Steel Pinion - 48 D.P.
 U2315 26T Steel Pinion - 48 D.P.
 U2316 27T Steel Pinion - 48 D.P.
 U2317 28T Steel Pinion - 48 D.P.
 U2318 29T Steel Pinion - 48 D.P.
 U3417 Pinion; Hard Alloy 48dp - 17T
 U3418 Pinion; Hard Alloy 48dp - 18T
 U3419 Pinion; Hard Alloy 48dp - 19T
 U3420 Pinion; Hard Alloy 48dp - 20T
 U3421 Pinion; Hard Alloy 48dp - 21T
 U3422 Pinion; Hard Alloy 48dp - 22T
 U3423 Pinion; Hard Alloy 48dp - 23T
 U3424 Pinion; Hard Alloy 48dp - 24T
 U3425 Pinion; Hard Alloy 48dp - 25T
 U3426 Pinion; Hard Alloy 48dp - 26T
 U3427 Pinion; Hard Alloy 48dp - 27T
 U3428 Pinion; Hard Alloy 48dp - 28T
 U3429 Pinion; Hard Alloy 48dp - 29T
 U3430 Pinion; Hard Alloy 48dp - 30T
 U3431 Pinion; Hard Alloy 48dp - 31T
 U3432 Pinion; Hard Alloy 48dp - 32T

ELECTRONICS

CR162 CORE RC Sensor Checking Widget
 CR195 Portable Emergency 60W Soldering Iron
 CR249 Futaba Servo Wires Black

ELECTRONICS Cont....

CR250 JR Servo Wires Black
 ED199502 EDS Ultra Bright L.E.D. Light Stand
 MR33-GOLD2 4mm Gold Connectors pk 4
 SK-500015 Corner Weight System
 SK-600089-01 LED Pit Light 11-18V DC - Black
 SK-600089-02 LED Pit Light 11-18V DC - Blue

SERVOS

CR495 CORE RC - 9009LP Low Profile Servo 8Kg .09 Sec
 CR496 CORE RC - 9008TG Digital Servo 9Kg .08 Sec
 CR497 CORE RC - 1012TG Digital Servo 10Kg .12 Sec
 HSDR420 Servo (Speed) 1/10 .07s 6.2kg
 HSDS1000 Servo (Speed) - 1/10 .08s 10.2kg
 HSDS400 Servo (Speed) 1/10 .09s 7.2kg
 HSDS700 Servo (Speed) 1/10 .08s 9.9kg
 HSdT450 Servo (Torque) 1/10 .11s 7.9kg
 HSdT750 Servo (Torque) 1/10 HV .12s 13.8kg
 KO30049 Servo - PDS-2501ICS - .12 - 7.4Kg
 KO30050 Servo - PDS-2502ICS - .15 - 8.3Kg
 KO30051 Servo - PDS-2511ICS - .13 - 9.6Kg
 KO30052 Servo - PDS-2512ICS - .16 - 10.8Kg
 KO30059 Servo - PDS-2531ICS Yellow - .13 - 9.5Kg
 KO30104 Servo - RSx one 10 low profile - .10 - 10Kg
 KO30105 Servo - RSx one 10 Response Low Profile-.09-7K
 KO30106 Servo - RSx2 Response HC - .07 - 14.5Kg
 KO30108 Servo - RSx2 Response - .07 - 14.5Kg
 KO30120 RSx-One 10 Type-S
 KO30201 Servo - BSx2 Response HC - .09 - 15.4Kg
 KO30203 Servo - BSx2 Response - .09 - 15.4Kg
 KO30207 Servo - BSx2-one 10 Grasper
 SA107A53471A SDX-801 Low Profile Digital Servo
 SA107A54061A ERS-971 Low Profile HS Digital WP Servo
 SA107A54071A ERS-961 High Speed Ti Gear WP Servo
 SA107A54081A ERS-962 Hi Torque St Gear WP Servo
 SA107A54371A SRG-LS Servo
 SA107A54381A SRG-BX Servo
 SA107A54383A SRG-BS Servo
 SA107A54385A SRG-BX - Type R - Servo
 SA107A54401A Low Profile Servo - HVS-702

TRANSMITTERS AND RECEIVERS

CR151 CODE 2.4G FHSS LCD 2 Stick TxRx
 CR152 CODE 2.4G FHSS LCD - Rx Only
 CR153 CODE 2.4G FHSS Sport 2 Stick TxRx
 CR154 CODE 2.4G FHSS Sport - Rx Only
 CR155 Antenna 2.4G
 CR277 CODE 2.4G FHSS Steerwheel Radio TxRx
 CR278 CODE 2.4G FHSS - Rx Only
 CR498 Battery Holder - Code Stick Transmitter
 KO21007KR-413FH Micro Receiver
 KO80540EX-1 Ver 3 (KIY) KR-413FH Set - TX + RX
 KO80700Esprit IV - Stick Radio Set
 SA101A30885A MX-V Radio Set
 SA101A31671A M12S Radio Set
 SA101A31691A M12S Radio Set - Ltd Ed-Piano Black
 SA101A31871A MT-4S Radio Set
 SA101A31971A MT-S Radio Set
 SA101A32071A EXZES ZZ Radio Set
 SA101A32075A EXZES ZZ Radio Set-Ltd Ed-Piano Black
 SA101A32171A MT-44 Radio Set - w/RX-482
 SA107A40843A RX-371FS FHSS-2 Receiver
 SA107A40973A RX-451R Receiver
 SA107A41044A RX-461 Receiver for MT-4
 SA107A41074A RX-380 FHSS-3 Receiver
 SA107A41111A RX-471 Receiver
 SA107A41117A RX-472 Telemetry/SSL Receiver
 SA107A41131A RX-471WP FH4 Waterproof Receiver
 SA107A41144A RX-371WP FHSS-2 Waterproof Receiver

**TRANSMITTERS AND RECEIVERS Cont...**

SA107A41151A RX-471 Dual ID Receiver
 SA107A41251A RX-481 Receiver
 SA107A41257A RX-482 Telemetry/SSL Receiver

CHARGERS AND DISCHARGERS

CR031 UDC Charger Connector Set - 8pcs
 CR114 UDC Balance Adaptor Set JST-XH to JST-EH 2-6S
 CR161 UAC50 Charger 12v/110-240v 6A
 NR91400 Sigma Power Charger
 NR91555 Stealth Touch Evolution Charger
 NR93160 Nosram Power Supply 13.8V / 20A
 NR95815 Nosram Universal Charging Lead-Tamiya/JST Plug
 NR95816 Nosram Universal Chg Lead-2S Lipo H/Case/Bal Adpt
 NR95817 Nosram Universal Chg Lead- US-Style Plug
 SK-100013 SKY RC - Quattro B6 Charger 50Wx4 AC/DC
 SK-100064 T6755 Charger 7A 55W AC/DC Touch Screen
 SK-100068-01 SKY RC 6 x 80+ Charger Blue Version
 SK-100069 Synchronous DC Charger 1000W 40A
 SK-100072 T6200 Charger 12A 200W DC Touch Screen
 SK-100084 Imax B6 Mini Charger 6A 60W DC
 SK-100087 Ultimate Duo Charger 700Wx2 - 30A DC
 SK-100089 D100 Dual Charger 100W AC or 2x100w DC - 10A
 SK-100097 D200 AC/DC Dual Charger 200W 20A + soldering iron
 SK-100104 Q200 Quattro Charger
 SK-100106 S60 AC Charger 60W 6A
 SK-200008 SKY RC 15V - 4A AC Adapter
 SK-200013-01 eFuel 30A 540W Power Supply
 SK-200015 eFuel 50A 1200W Power Supply
 SK-200017-01 SKY RC 17A Power Supply (UK Plug)
 TP1201P100-240V AC - 12V DC, 1.0A Switching Adaptor TP103
 TP1205P100-240V AC-12V DC, 5.0A Switching Adaptor
 TP14SAB-TPJXH Balance Conn Adaptor 2S-14S JST-XH - TP1430C
 TP205V Thunder Power 2-5 Cell Lipo Smart Balancer
 TP610C Thunder Power 10 Amp DC Balance Charger
 TP610C-ACDC Thunder Power 10 Amp AC/DC Balance Charger
 TP610C-BL2 Balance Conn Adaptor 2S/6S JST-XH 610C-ADC
 TP820CD Dual Port 20A DC charger/Cycler
 TP8SAB-TPJXH Balance Conn Adaptor Board 2S-8S JST-XH 820CD
 TPDLC-250A Thunder Power Balancer to Charger Data Link Cable

BRUSHLESS MOTORS

HW30401102 XERUN-V10-5.5T-1/10-Sensored-BL-Motor-Black-G2
 HW30401103 XERUN-V10-6.5T-1/10-Sensored-BL-Motor-Black-G2
 HW30401104 XERUN-V10-7.5T-1/10-Sensored-BL-Motor-Black-G2
 HW30401105 XERUN-V10-8.5T-1/10-Sensored-BL-Motor-Black-G2
 HW30404300 QUICRUN-3650-6.5T-Sensored-Motor
 HW30404301 QUICRUN-3650-8.5T-Sensored-Motor
 HW90040060 XERUN-1/10-Sensored BL Motor 8.5T
 HW90040170 XERUN-1/10-Sensored BL Motor 6.5T
 NR90648 Nosram Pure 2 BL - 10.5T
 NR90649 Nosram Pure 2 BL - 9.5T
 NR90654 Nosram Pure 2 BL - 8.5T
 NR90664 Nosram Pure 2 BL - 7.5T
 NR90674 Nosram Pure 2 BL - 6.5T
 NR90684 Nosram Pure 2 BL - 5.5T
 NR90689 Nosram Pure 2 BL - 5.0T
 NR90704Nosram Pure 2 BL - 4.0T
 SK-400003-23 ARES Pro BL Motor 5.5T
 SK-400003-24 ARES Pro BL Motor 6.5T
 SK-400003-25 ARES Pro BL Motor 7.5T
 SK-400003-26 ARES Pro BL Motor 8.5T
 SK-400003-27 ARES Pro BL Motor 9.5T
 SP000148 1/10 Competition MMM Series 5.0R BL Motor
 SP000149 1/10 Competition MMM Series 5.5R BL Motor
 SP000151 1/10 Competition MMM Series 4.0R BL Motor
 SP000259 Speed Passion V3.0 Comp BL Motor-6.0T
 SP001224 Speed Passion Comp V4.0 Motor 5.5T
 SP001226 Speed Passion Comp V4.0 Motor 6.5T
 SP001227 Speed Passion Comp V4.0 Motor 7.5T
 SP001228 Speed Passion Comp V4.0 Motor 8.5T
 SP001229 Speed Passion Comp V4.0 Motor 9.5T
 SP13855V3 Speed Passion V3.0 Comp BL Motor; 5.5T

BRUSHLESS MOTORS Cont....

SP13865V3 Speed Passion V3.0 Comp BL Motor; 6.5T
 SP13875V3 Speed Passion V3.0 Comp BL Motor; 7.5T
 SP13885V3 Speed Passion V3.0 Comp BL Motor; 8.5T
 TPM-540A055 Thunder Power 5.5T Modified 540 BL Motor
 TPM-540A060 Thunder Power 6.0T Modified 540 BL Motor
 TPM-540A065 Thunder Power 6.5T Modified 540 BL Motor
 TPM-540A075 Thunder Power 7.5T Modified 540 BL Motor
 TPM-540A085 Thunder Power 8.5T Modified 540 BL Motor
 TPM-540A095 Thunder Power 9.5T Modified 540 BL Motor

BRUSHLESS ACCESSORIES

CR133 Core Sensor Lead; 80mm
 CR134 Core Sensor Lead; 180mm
 CR253 110mm Flat Bonded Flex Sensor Wire
 CR254 150mm Flat Bonded Flex Sensor Wire
 CR255 200mm Flat Bonded Flex Sensor Wire
 CR256 270mm Flat Bonded Flex Sensor Wire
 HW2361200 XERUN-Sensor Cable-120mm
 HW2362000 XERUN-Sensor Cable-200mm
 HW30502000014 XERUN-EZRUN-Multifunction-LCD-Program Box
 HW305030000 WiFi-Express Module
 HW30860200010 XERUN-Fan-2510SH-13000RPM-5V/0.16A for 2S
 HW86020010 XERUN-EZRUN-Program Card for ESC
 HW86030030 XERUN-Capacitors
 HW86080120 EZRUN-Heat Sink with Fan for 3660,3674 Motors
 HW86080130 EZRUN-Heat Sink with Fan for 4465 Motors
 HW86080150 XERUN-Large Fan 3010HB-5V/0.18A for 2S
 NR90644PURE Evo Tuning Sintered Rotor - 12.0mm
 NR92501USB Bridge Spec2 - Speedo Firmware Update Device
 NR92512Cooling Fan; Low Profile - Include Mounting Screws
 NR925307 NOSRAM Sensor Wire HighFlex 70mm
 NR925315 NOSRAM Sensor Wire HighFlex 150mm
 NR925320 NOSRAM Sensor Wire HighFlex 200mm
 SK-300046-01 Program Box
 SP000007 Muli LED Program Card Version 2.0
 SP000029 Sensor Unit +20 Timing"for V3.0 Motor-Green Color"
 SP000034 Sensor Unit +10 Timing" for V3.0 Motor-Red Color"
 SP000041 Sensor Unit for V3.0 - 4.0T/5.0T Motor
 SP000059 Sensor Unit +40 Timing for V3.0 Motor Blue
 SP001130 Reventon PRO 1.1 Fan
 SP162801 SP - Sensor Cable 180mm
 SP162802 SP - Sensor Cable 90mm
 SP162810 SP - HiPower Solder Post; 3pcs
 SP162820 SP - HiPower Connector; V3.0 Motors 3pcs
 SP1EB01 SP Endbell; Fixed Timing V3.0
 SPAMSSC3M SP - Super Capacitor 3 Farads 6 Volt rated
 SPRM13802 Rotor; V3.0 3.5T- 8.5R 12.3mm S7 Purple
 SPRM13802NA Rotor; V3.0 3.5T- 8.5T 12.3mm S7 Silver
 SPRM13803NA Rotor; V3.0 3.5T- 8.5T 12.5mm Silver
 SPRM13804 Rotor; V3.0 3.5T-8.5R 12.8mm Golden
 SPRM13806 Rotor; V3.0 3.5T-8.5T 13mm S7 Orange
 TPM-P1000 Thunder Power Bearing Replacement Tool
 TPM-P1001 T-Power Bearing Std 1/8x3/8x5/32 (2pcs) S/M 540"
 TPM-P1002 T-Power Bearing Ceramic 1/8x3/8/5/32 (2pcs)S/M540"
 TPM-P1005 Thunder Power Sensor Unit w/Std Bearing S/M540/550
 TPM-P1007 Thunder Power Outer Can/Case w/Screws S/M 540
 TPM-P1008 Thunder Power Timing Cap w/Screws S/M540/550
 TPM-P1010 Thunder Power Sensor Wire Harness 110mm
 TPM-P1011 Thunder Power Sensor Wire Harness 200mm
 TPM-P1012 Thunder Power Sensor Wire Harness 270mm
 TPM-P1014 Thunder Power Insulator Set (Fr/Rr) S/M 540/550
 TPM-R540AHT Stock Spec 540 Hi-Torque Rotor 12.5/7.25/25.0 Grn
 TPM-R540AMR Thunder Power Mod 540 Rotor 12.2/5.2/25.0 Purple
 TPM-R540AMR-S Thunder Power Mod 540 Rotor 12.0/5.0/25.3 Gold
 TPM-R540ASR T-Power Stock Spec 540 Rotor 12.2/7.25/24.2 Red
 TPM-R540AST T-Power StockSpec Torque Rotor 12.2/7.25/25.0 Blue
 TPM-S540A055 Thunder Power 5.5T Modified 540 Stator
 TPM-S540A060 Thunder Power 6.0T Modified 540 Stator

**BRUSHLESS ACCESSORIES Cont....**

TPM-S540A065 Thunder Power 6.5T Modified 540 Stator
 TPM-S540A075 Thunder Power 7.5T Modified 540 Stator
 TPM-S540A085 Thunder Power 8.5T Modified 540 Stator
 TPM-S540A095 Thunder Power 9.5T Modified 540 Stator

BRUSHLESS ESC and MOTOR COMBO

HW81030050 EZRUN-Combo-B4-5.5T 6000kV+EZRun-60A-SL
 HW81030060 EZRUN-Combo-B5-8.5T 4000kV+EZRun-60A-SL
 HW81030150 EZRUN-Combo-B6-9T 4300kV+EZRun-60A-SL
 SP000191 Reventon-R ESC-2S-Comp V3.0-7.5R Combo
 SP000192 Reventon-R ESC-2S-Comp V3.0-8.5R Combo
 SP000199 Reventon Stock Club Race 8.5 Combo Comp V3 Motor
 SP001032 Reventon Pro V1.1 ESC Comp V3.0-5.5R Combo
 SP001033 Reventon Pro V1.1 ESC Comp V3.0-6.0R Combo
 SP001034 Reventon Pro V1.1 ESC Comp V3.0-6.5R Combo
 SP001035 Reventon Pro V1.1 ESC Comp V3.0-7.5R Combo
 SP001036 Reventon Pro V1.1 ESC Comp V3.0-8.5R Combo
 SP001037 Reventon Pro V1.1 ESC Comp V3.0-9.5R Combo
 SP001038 Reventon Pro V1.1 ESC Comp V3.0-10.5R Combo
 SP001039 Reventon Pro V1.1 ESC Comp V3.0-13.5R Combo
 SP001040 Reventon Pro V1.1 ESC Comp V3.0-17.5R Combo
 SP001041 Reventon Pro V1.1 ESC Comp V3.0-21.5R Combo
 SP001144 Reventon Pro V1.1 ESC MMM 5.0R Combo
 SP001145 Reventon Pro V1.1 ESC MMM 5.5R Combo
 SP001146 Reventon Pro V1.1 ESC MMM 10.5R Combo
 SP001147 Reventon Pro V1.1 ESC MMM 13.5R Combo
 SP001149 Reventon Pro V1.1 ESC MMM 21.5R Combo

BRUSHLESS SPEEDCONTROLS

CR173 PACE 45R Brushless ESC 1s/2s
 CR174 PACE 45R/60R Programming Card
 CR199 PACE 60R Brushless ESC 1S/2S
 HW30112600 XERUN-XR10-Pro-V4-Black
 HW30112601 XERUN-XR10-Pro-V4-Orange
 HW30112602 XERUN-XR10-Pro-V4-Red
 HW81010190 EZRUN-60A-SL-BL-ESC-1/10th Car & Truck
 HW81010390 EZRUN-WP-80A-SL-BL-ESC-1/10th-Waterproof
 HW81020170 XERUN-V2.1-BL-ESC-120A-Blue
 HW81020340 XERUN-V3.1-BL-ESC-120A-Blue
 HW81020350 XERUN-V3.1-BL-ESC-120A-Black
 NR90960Comet EVO Brushless Speed Control
 NR90970Comet HD Brushless Speed Control
 SA107A54393A Super Vortex Stock ESC - SVZ Stock
 SA107A54413A Super Vortex Generation 2 ESC - SVZ G2
 SK-300044-01 Toro TS 120A ESC
 SK-300062-02 Toro TS 120A Alloy ESC - Black
 SK-300064-01 Toro TS 160 ESC
 SP000063 Reventon-R ESC - 2S - Blue
 SP000064 Reventon-R ESC - 2S - Silver
 SP000739 Reventon Pro ESC-2S - V1.1 Black
 SP000740 Reventon Pro ESC-2S - V1.1 - Laser Blue
 SP001278 Reventon-R ESC - 2S - Black

BATTERIES

AM199502 Lipo Safe Bag (185 x 75 x 60mm)
 CR007 CORE RC Silicone Wire 12g - Red/Black 2x50cm
 CR008 CORE RC RED Connector with 2x4mm Tubes
 CR009 CORE RC RED Connector with 2x4mm Males
 CR050 CORE RC Silicone Wire 12g - Red 1 Metre
 CR051 CORE RC Silicone Wire 12g - Black 1 Metre
 CR052 CORE RC Silicone Wire 12g - Blue 1 Metre
 CR053 CORE RC Silicone Wire 12g - Red 50 Metre Reel
 CR054 CORE RC Silicone Wire 12g - Black 50 Metre Reel
 CR055 CORE RC Silicone Wire 12g - Blue 50 Metre Reel
 CR059 CORE RC - Safe Charge Pouch 23x30cm
 CR115 CORE RC Silicone Wire 12g - Red/Black/Blue 3x50cm
 CR124 Heatshrink 6.0mm dia Black - 20pcs
 CR125 Heatshrink 6.0mm dia Red - 20pcs
 CR170 CORE RC Lipo Locker - 17 x 8 x 7cm
 CR287 Silicone Wire Black 14 AWG - 1Mtr
 CR288 Silicone Wire Black 16 AWG - 1Mtr

BATTERIES Cont....

CR294 CORE RC-4000mAhR 7.4V 30/60C 2S Shorty Lipo
 CR295 CORE RC-5000mAhR 7.4V 30/60C 2S Saddle Lipo
 G719 GP Alkaline AA Pencil; Card 8 + 4
 H1046 T Connector; Red 2 Way - Male and Female
 H1047 T Connector; Black 2 Way - Male and Female
 H1048 T Connector; Red Sockets - pk4
 H1049 T Connector; Black Sockets - pk4
 IPBG2S4000V4 Intellect-Lipo 4000mAh 40C 2S Shorty
 IPBG2S5000SV1 Intellect-Lipo 5000mAh 100C 2S Shorty SHV
 IPTP2S6000SV1 Intellect-Lipo 6000mAh 100C 2S Saddle SHV
 IPTP2S6000V8 Intellect - Saddle Lipo 6000mAh 2S - 80C-7.4V
 MR-SB MR33 Lipo Bag
 NR999512 Lipo 2600 1/10 X-treme Super Shorty 110C/55C-7.4V
 NR999519 Lipo 5500 1/10 X-treme Saddle Pack 110C/55C-7.4V
 NR999522 Lipo 4300 1/10X-treme Shorty Stk Spec 110C/55C-7.4
 NR999528 Lipo 5600 1/10 X-treme TC Mid Shorty P5-7.4V
 NR999529 Lipo 4500 1/10 X-treme Shorty P5 - 7.4V
 NR999530 Lipo 4500 1/10 X-treme-Shorty Stk Spec P5-7.4V
 NR999531 Lipo 3000 1/10 X-treme Shorty LCG P5-7.4V
 NR999532 Lipo 4000 1/10 X-treme Real Shorty LCG P5-7.4V
 NR999533 Lipo 5800 1/10 X-treme Saddle P5-7.4V
 NR999534 Lipo 3900 1/10 X-treme Saddle LCG P5-7.4V
 NR999535 Lipo 3900 1/10 X-treme Shorty Saddle P5-7.4V
 NR999536 Lipo 3900 1/10 X-treme Small Saddle P5-7.4V
 NR999538 Lipo 2600 1/10 X-treme Super Shorty P5-7.4V
 NR999541 Lipo 4900 1/10 Outlaw Race Shorty P5-7.6V
 SK-500007-01 SKY RC Lipo Pal
 TP4P10E Thunder Power 4 Pin Balance connector 10Extension"
 TP4P8 TP 4 Pin Balance Connector 8 Colour Coded Wires"
 TP6P10E Thunder Power 6 Pin Balance Connector 10Extension"
 TP6P13 TP 6 Pin Balance Connector 13 Colour Coded Wires"
 TP6P4PE Thunder Power 6 Pin Adaptor/Extension
 TPLSBL Thunder Power Lipo Charge Bag Large 9" x 12"
 TPLSBS Thunder Power Lipo Charge Bag Small 7" x 8"

GENERAL ACCESSORIES

CR043 CORE RC - Silver X-Weights 16pcs
 CR058 CORE RC - Black X-Weights 16pcs
 CR197 CORE RC - Glass Setup Board
 CR297 CORE RC - Neoprene Bag
 CR518 Super Glue Nozzles - pk10
 CR520 Medium Thread Lock 3ml
 CR521 Super Glue Activator 63ml
 CR522 CORE RC - 522 Pro Tyre Glue + 2 Nozzles
 CR548 CORE RC - Tool Bag
 CR549 CORE RC - Oil Bag
 G353 Schumacher Glass Setup Board
 G354 Schumacher - Neoprene Bag
 J003 Contact RC - Glass Setup Board
 J004 Contact RC - Neoprene Bag
 MR-CSOFFROAD MR33 Car Stand Off Road
 MR-SUPER GLUE Perfect Super Glue for Rubber Tyres
 U4831 Aerial Tube Cap - Black - 6pk

1-10 BUGGY ON ROAD TYRES

JY35 1/10 Buggy Foam Donuts Rear 35Sh
 JY45 1/10 Buggy Foam Donuts Front 45Sh
 U6720 VENOM 88 Tyre - Rascal/ 1/10th buggy (pr) - Silver
 U6790 Venom 88 Tyre 1/10th Buggy Rear - White

**1-10 BUGGY OFF ROAD TYRES**

T650 Full Spike - Rear Tyres - Soft CAT (pr)
 T652 Full Spike - Front Tyres - Soft CAT (pr)
 T692 Block - Rear Tyres - Blue - CAT (pr)
 U6515 Mini Spike 2; Front Tyres - Green - 2.2 (pr)
 U6516 Mini Spike 2; Rear Tyres - Green - 2.2 (pr)
 U6517 Mini Spike 2; Front Tyres - Blue - 2.2 (pr)
 U6518 Mini Spike 2; Rear Tyres - Blue - 2.2 (pr)
 U6549 Mini Spike 2; Blue - Slim (pr)
 U6550 Mini Spike 2; Green - Slim (pr)
 U6557 Mini Spike 2; Front Tyres - Yellow (pr)
 U6558 Mini Spike 2; Rear Tyres - Yellow (pr)
 U6581 Mini Spike 2; standard -Yellow - Slim (pr)
 U6592 Stagger Rib - Yellow - Slim
 U6596 Full Spike - Rear Tyres- Yellow - 2.2 (pr)
 U6601 Mini Pin - Blue - Front - 2.2 (pr)
 U6607 Mini Pin - Yellow - Front - 2.2 (pr)
 U6609 Mini Pin - Yellow - Slim (pr)
 U6759 Cut Stagger - Yellow - Slim (pr)
 U6761 Mini Spike 2; Silver - Slim (pr)
 U6762 Mini Spike 2; Front Tyres - Silver (pr)
 U6763 Mini Spike 2; Rear Tyres - Silver (pr)
 U6765 Cut Stagger Green - Slim (pr)
 U6770 Cut Stagger - Low Profile - Yellow (pr)
 U6771 Cut Stagger - Low Profile - Green (pr)
 U6775 Cut Stagger - Low Profile - Silver (pr)
 U6776 Cut Stagger - Low Profile - Blue (pr)
 U6779 Mini Pin - Silver - Slim (pr)
 U6786 Block - Rear Tyres - Yellow - CAT pr
 U6794 Mini Spike2 -Pre-Glued Yellow Rear Hex Drive(pr)
 U6795 Mini Pin; Slim Yellow - Pre-Glued Hex Drive (pr)
 U6797 Stud 2 Row Front - Yellow (pr)
 U6801 Cut Stagger Low Pro-Yel-Pre-Glued Hex(pr)
 U6817 Mini Pin 1 - Rear - 1/10 - Yellow-pr
 U6818 Mini Pin 1 - Rear - 1/10 - Yellow - Pre-Glued
 U6819 Mini Pin 1 - Rear - 1/10 - Blue - pr
 U6820 Mini Pin 1 - Rear - 1/10 - Silver - pr
 U6821 Mini Pin 2 - Front - 1/10 - Yellow pr
 U6822 Mini Pin 2 - Front - 1/10 - Yellow-Pre-Glued pr
 U6824 Mini Dart 1/10 - Front - 2WD - Yellow (pr)
 U6826 Mini Dart 1/10 - Rear - Yellow (pr)
 U6827 Mini Dart 1/10 - Front - 2WD - Blue (pr)
 U6829 Mini Dart 1/10 - Rear - Blue (pr)
 U6830 Mini Dart 1/10 - Front - 2WD - Silver (pr)
 U6832 Mini Dart 1/10 - Rear - Silver (pr)
 U6833 Mini Dart 1/10-Front-2WD-Pre-Glued Yellow (pr)
 U6835 Mini Dart 1/10-Rear-Pre-Glued-Yellow (pr)

1-10 BUGGY WHEELS AND INSERTS

U4365 Wheel; Hex Rear - Black - Off Road - pr
 U4366 Wheel; Hex Rear - White - Off Road - pr
 U4367 Wheel; Hex Front - Black - 2wd - pr
 U4368 Wheel; Hex Front - White - 2wd - pr
 U4660 Wheel; Hex - Slim - 2WD - Black
 U4661 Wheel; Hex - Slim - 2WD - White
 U6652 Foam Tyre Insert; Hard - Front - CAT (pr)
 U6653 Foam Tyre Insert; Hard - Rear - CAT (pr)
 U6667 Foam Tyre Insert; Hard - Slim 2WD (pr)
 U6668 Foam Tyre Inserts; Soft - Ultra Wide (pr)
 U6669 Foam Tyre Inserts; Hard - Ultra Wide (pr)
 U6733 Foam Tyre Insert; Med - Front - CAT (pr)
 U6734 Foam Tyre Insert; Med - Rear - CAT (pr)
 U6738 Foam Tyre Insert; Med - Slim 2WD (pr)
 U6746 Tubby Insert; Med Front - CAT (pr)
 U6747 Tubby Insert; Med Rear - CAT (pr)

PAINT

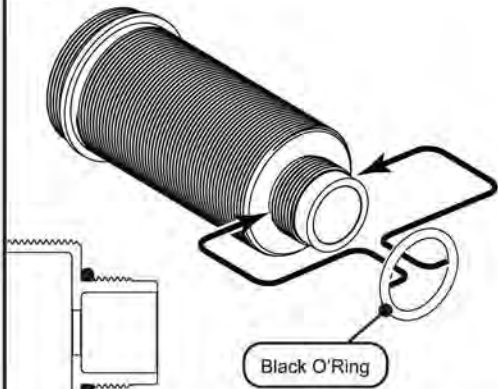
CR600 Aerosol Paint - White Knight
 CR601 Aerosol Paint - Yellow Taxi
 CR602 Aerosol Paint - Fire Red
 CR603 Aerosol Paint - French Blue
 CR604 Aerosol Paint - Petrol Blue
 CR605 Aerosol Paint - Racing Green
 CR606 Aerosol Paint - Jet Black
 CR607 Aerosol Paint - Lime Green
 CR608 Aerosol Paint - Tangerine
 CR609 Aerosol Paint - Hot Pink
 CR610 Aerosol Paint - Berry Purple
 CR611 Aerosol Paint - Neon Yellow
 CR612 Aerosol Paint - Neon Orange
 CR613 Aerosol Paint - Neon Red
 CR614 Aerosol Paint - Neon Green
 CR615 Aerosol Paint - Neon Fire
 CR616 Aerosol Paint - Neon Carrot
 CR617 Aerosol Paint - Neon Pink
 CR618 Aerosol Paint - Neon Blue
 CR619 Aerosol Paint - Metallic Blue
 CR620 Aerosol Paint - Metallic Graphite
 CR621 Aerosol Paint - Metallic Silver
 CR622 Aerosol Paint - Metallic Purple
 CR623 Aerosol Paint - Metallic Green
 CR624 Aerosol Paint - Metallic Red
 CR625 Aerosol Paint - Metallic White
 CR626 Aerosol Paint - Clear Sparkle
 CR627 Aerosol Paint - True Chrome
 CR628 Aerosol Paint - Clear Backing
 CR629 Aerosol Paint - Window Tint
 CR631 Aerosol Paint - Spearmint

TEAM MERCHANDISE

G315 Schumacher Pit Towel
 G338 2 Tone Beanie Knitted Hat
 G339L Jacket - 3 Layer Softshell; Black - L 44inch
 G339M Jacket - 3 Layer Softshell; Black - M 41inch
 G339S Jacket - 3 Layer Softshell; Black - S - 38inch
 G339XL Jacket - 3 Layer Softshell; Black - XL 46inch
 G339XS Jacket - 3 Layer Softshell; Black - XS - 34inch
 G339XXL Jacket - 3 Layer Softshell; Black - XXL 48inch
 G339XXXL Jacket - 3 Layer Softshell; Black - XXXL 50inch
 G340 Schumacher Baseball Cap - Black
 G342L T - Navy - Large 100% cotton knit mens
 G342M T - Navy - Medium 100% cotton knit mens
 G342S T - Navy - Small 100% cotton knit mens
 G342XL T - Navy - X-Large 100% cotton knit mens
 G342XXL T - Navy - XX-Large 100% cotton knit mens
 G342XXXL T - Navy - XXX-Large 100% cotton knit mens
 G342XXXXL T - Navy - XXXX-Large 100% cotton knit mens
 G342XXXXXL T - Navy - XXXXX-Large 100% cotton knit mens
 G343L Sweat-Navy-Large 80% cotton,20% polyester knit men
 G343M Sweat-Navy-Med, 80% cotton,20% polyester knit men
 G343S Sweat-Navy-Small,80% cotton,20% polyester knit men
 G343XL Sweat-Navy-XL, 80% cotton,20% polyester knit men
 G344L Polo - Navy - Large, 100% cotton knit mens
 G344M Polo - Navy - Med, 100% cotton knit mens
 G344S Polo - Navy - Small, 100% cotton knit mens
 G344XL Polo - Navy - X-Large, 100% cotton knit mens
 G344XXL Polo - Navy - XX-Large, 100% cotton knit mens
 G344XXXL Polo - Navy - XXX-Large, 100% cotton knit mens
 G344XXXXL Polo - Navy - XXXX-Large, 100% cotton knit mens
 G344XXXXXL Polo - Navy - XXXXX-Large, 100% cotton knit mens
 G355 Schumacher Hauler Bag

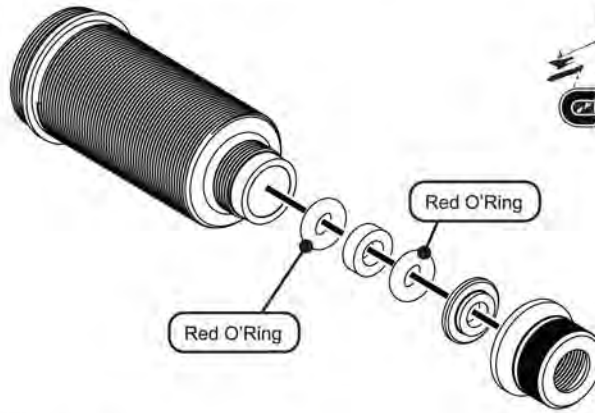
STEP 35

A



STEP 35

B



STEP 36

A



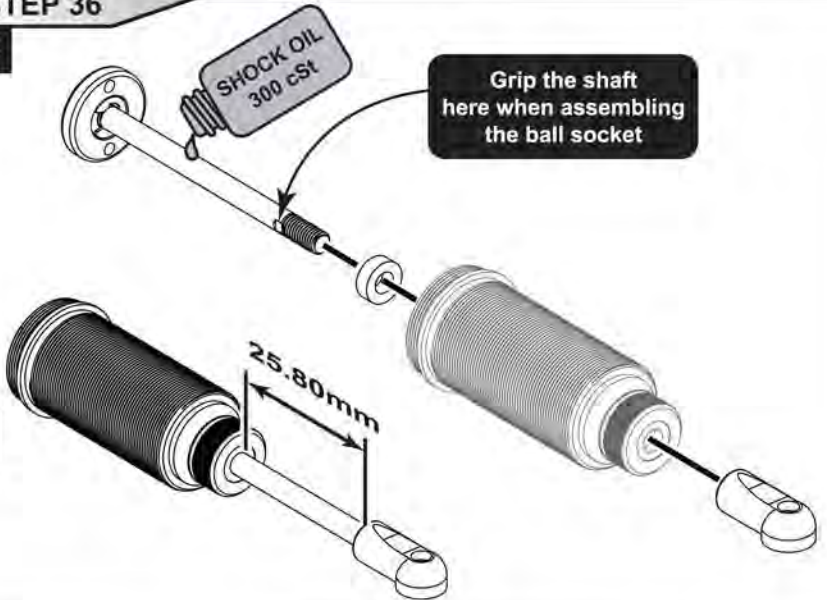
STEP 36

B



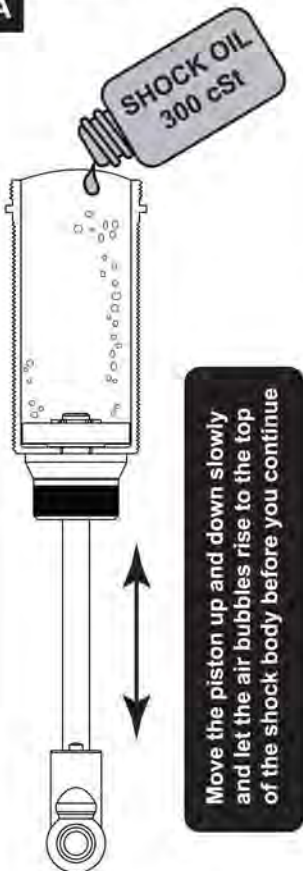
STEP 36

C



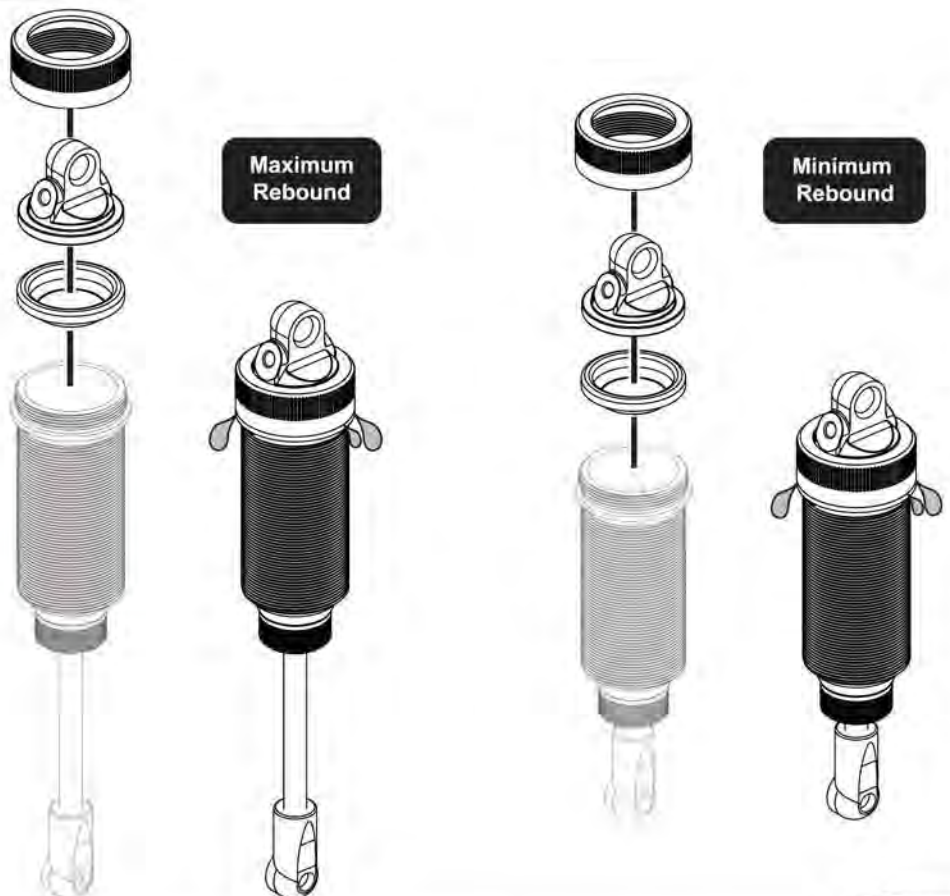
STEP 37

A



STEP 37

B



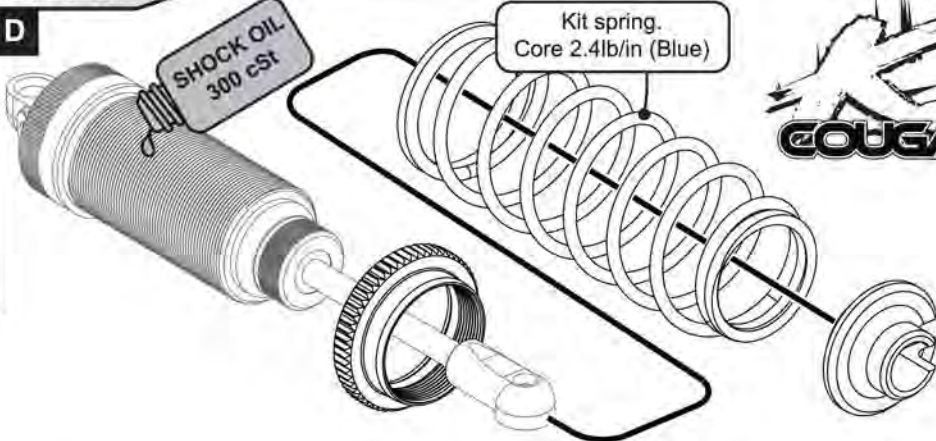
STEP 37

C

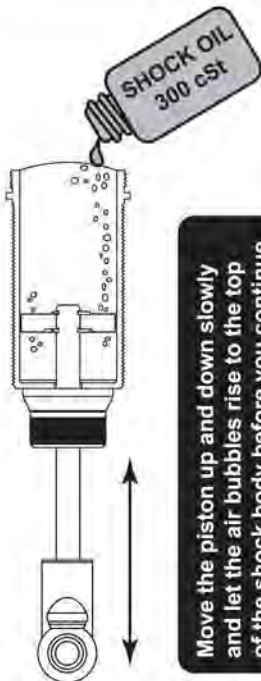
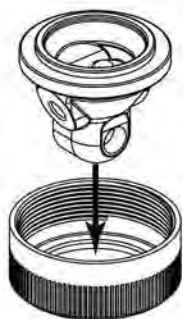


STEP 37

D



Optional Emulsion Shock



Move the piston up and down slowly and let the air bubbles rise to the top of the shock body before you continue.



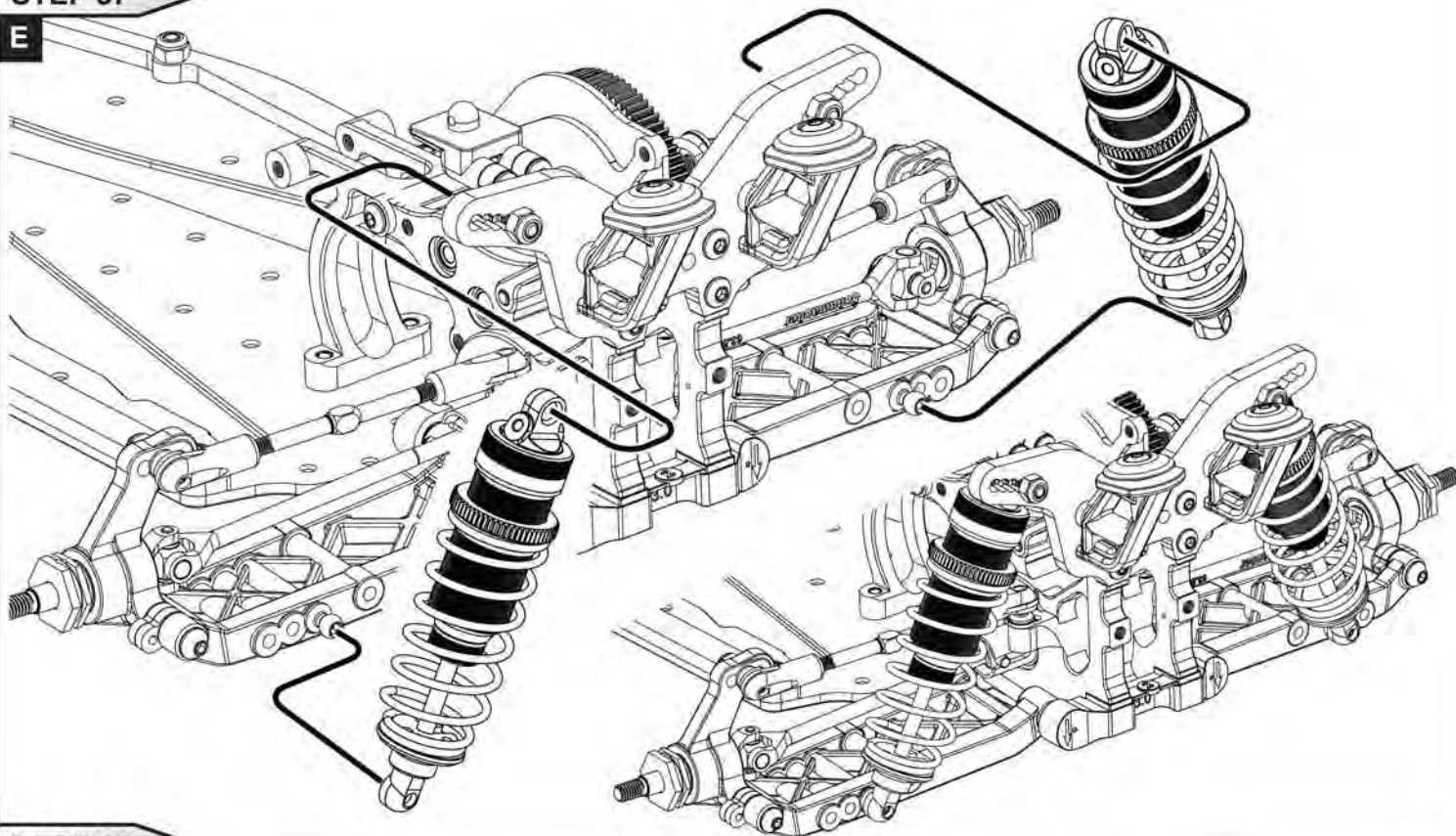
Screw the cap and O'ring onto the body. Then tighten the cap fully and undo two full turns.



Fully compress the shaft into the body. Once the excess oil has been expelled from the shock, then fully tighten the cap.

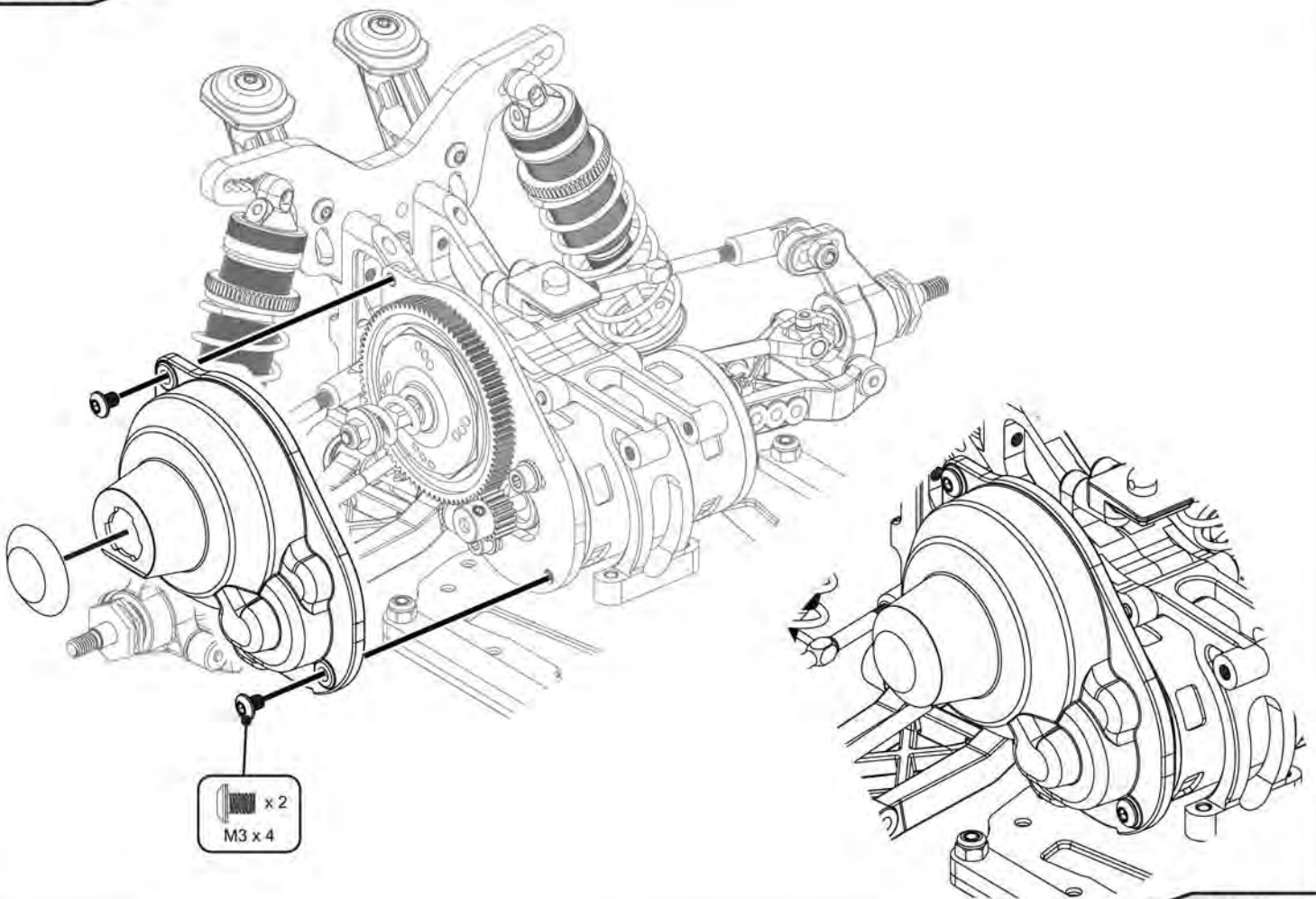
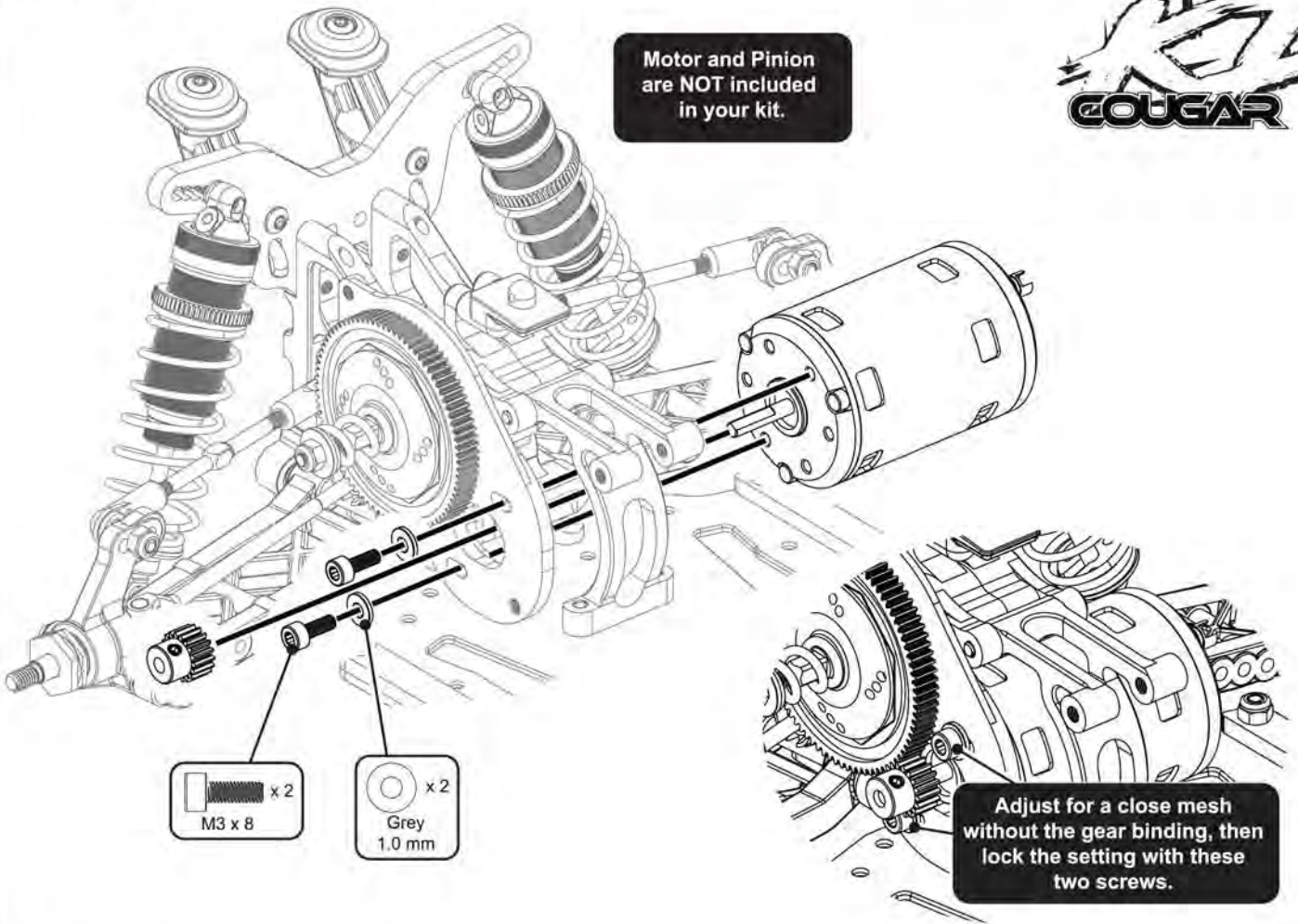
STEP 37

E



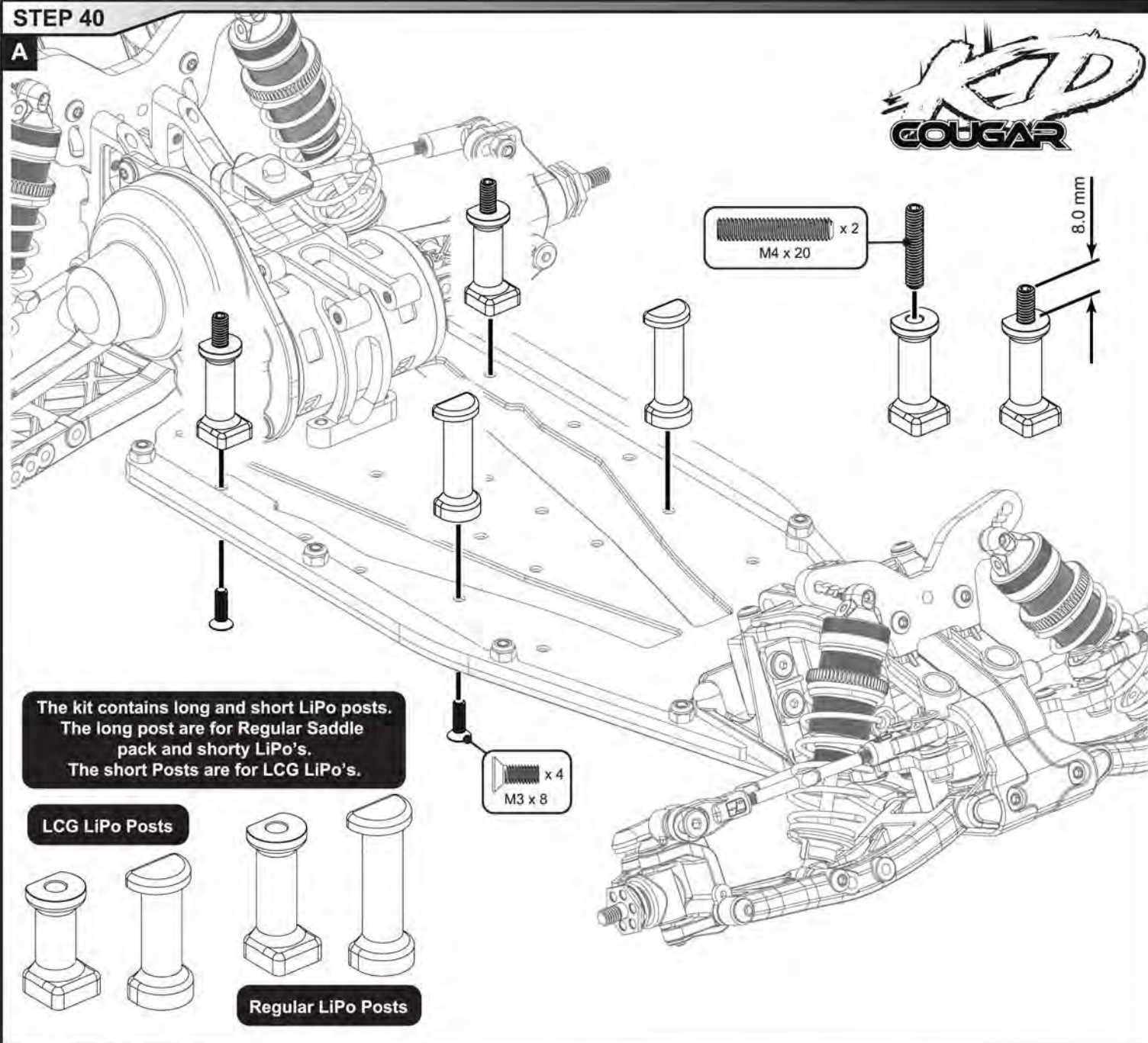


Motor and Pinion are NOT included in your kit.



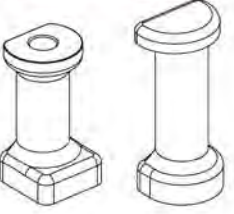
STEP 40

A

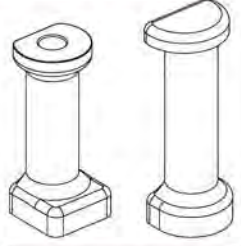


The kit contains long and short LiPo posts. The long post are for Regular Saddle pack and shorty LiPo's. The short Posts are for LCG LiPo's.

LCG LiPo Posts

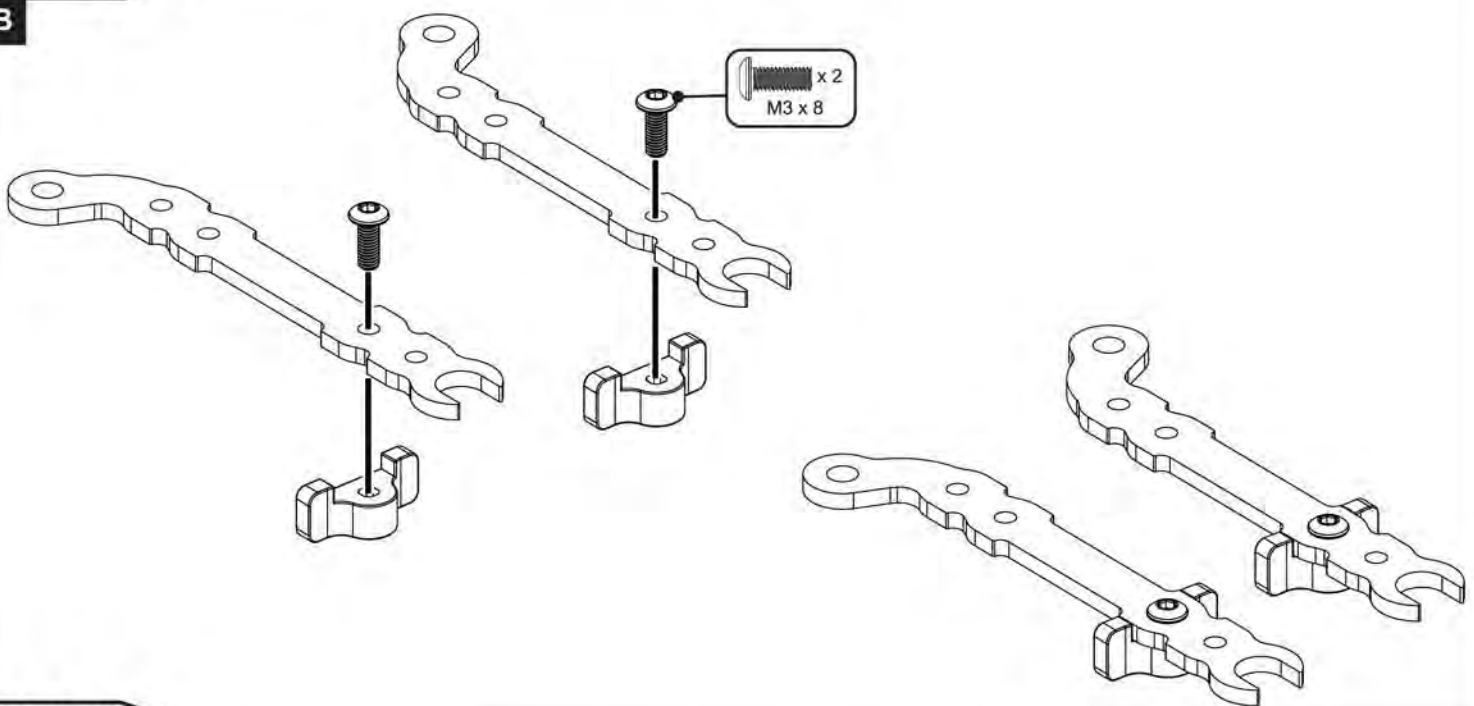


Regular LiPo Posts



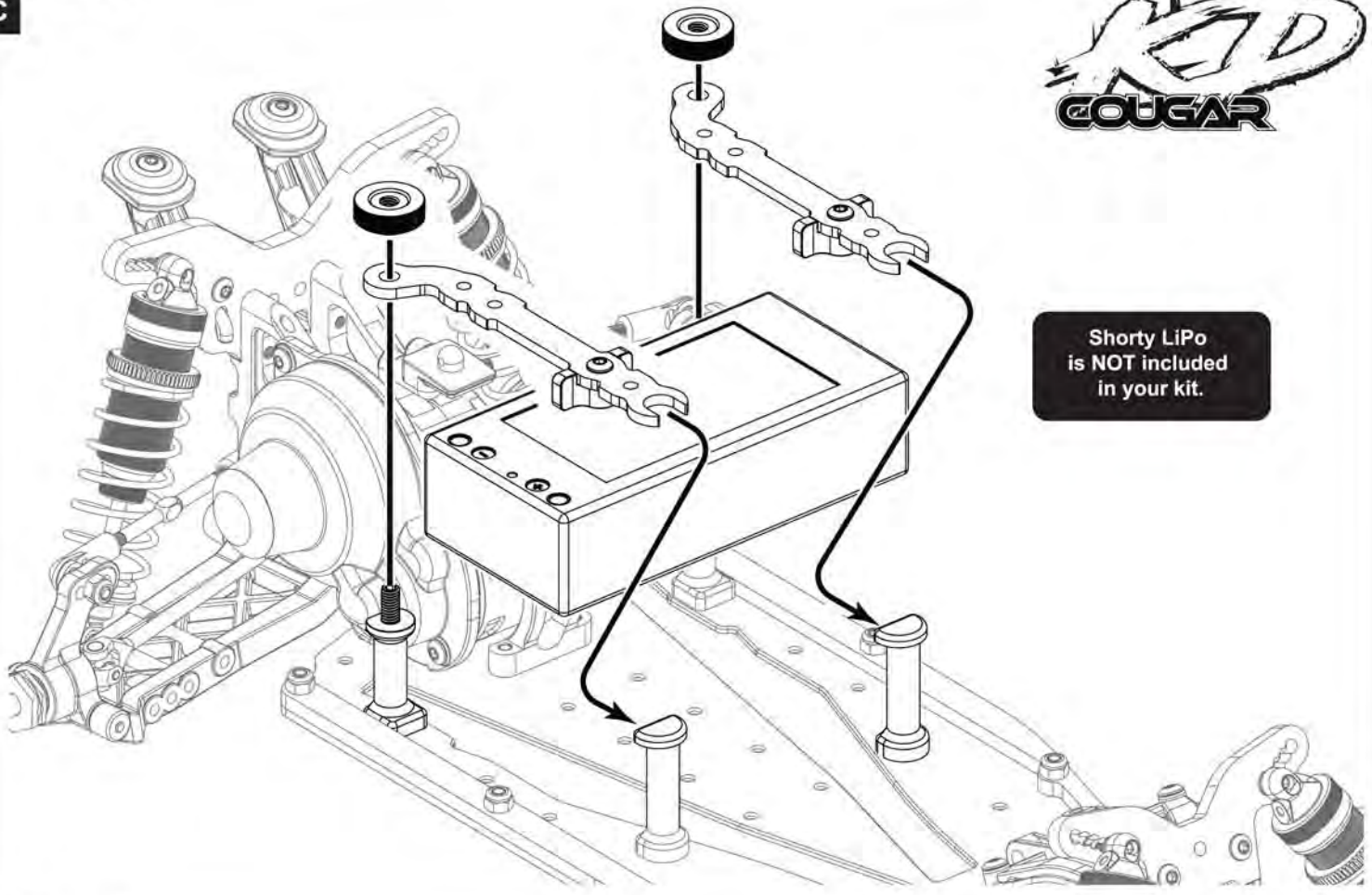
STEP 40

B



STEP 40

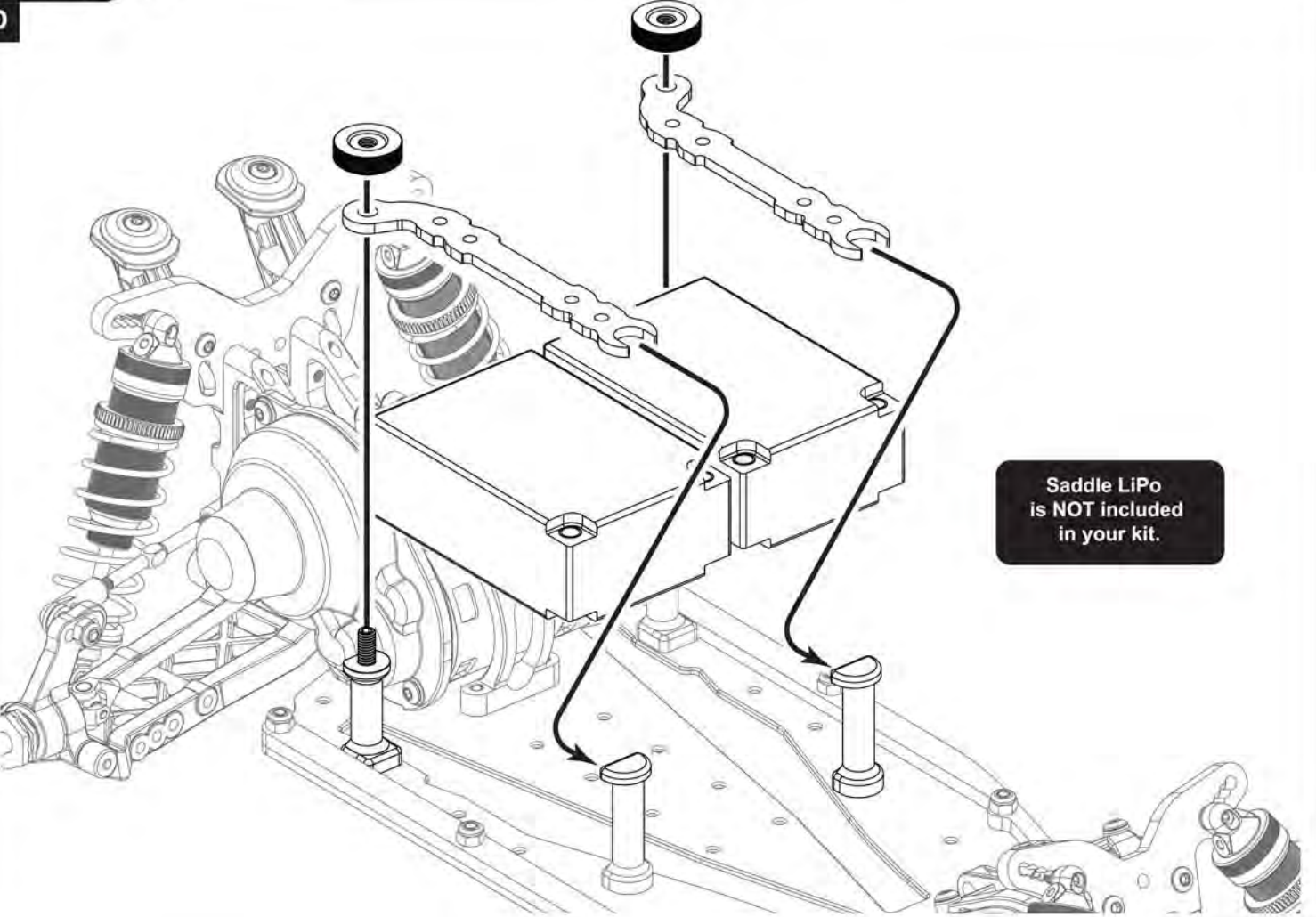
C



Shorty LiPo
is NOT included
in your kit.

STEP 40

D



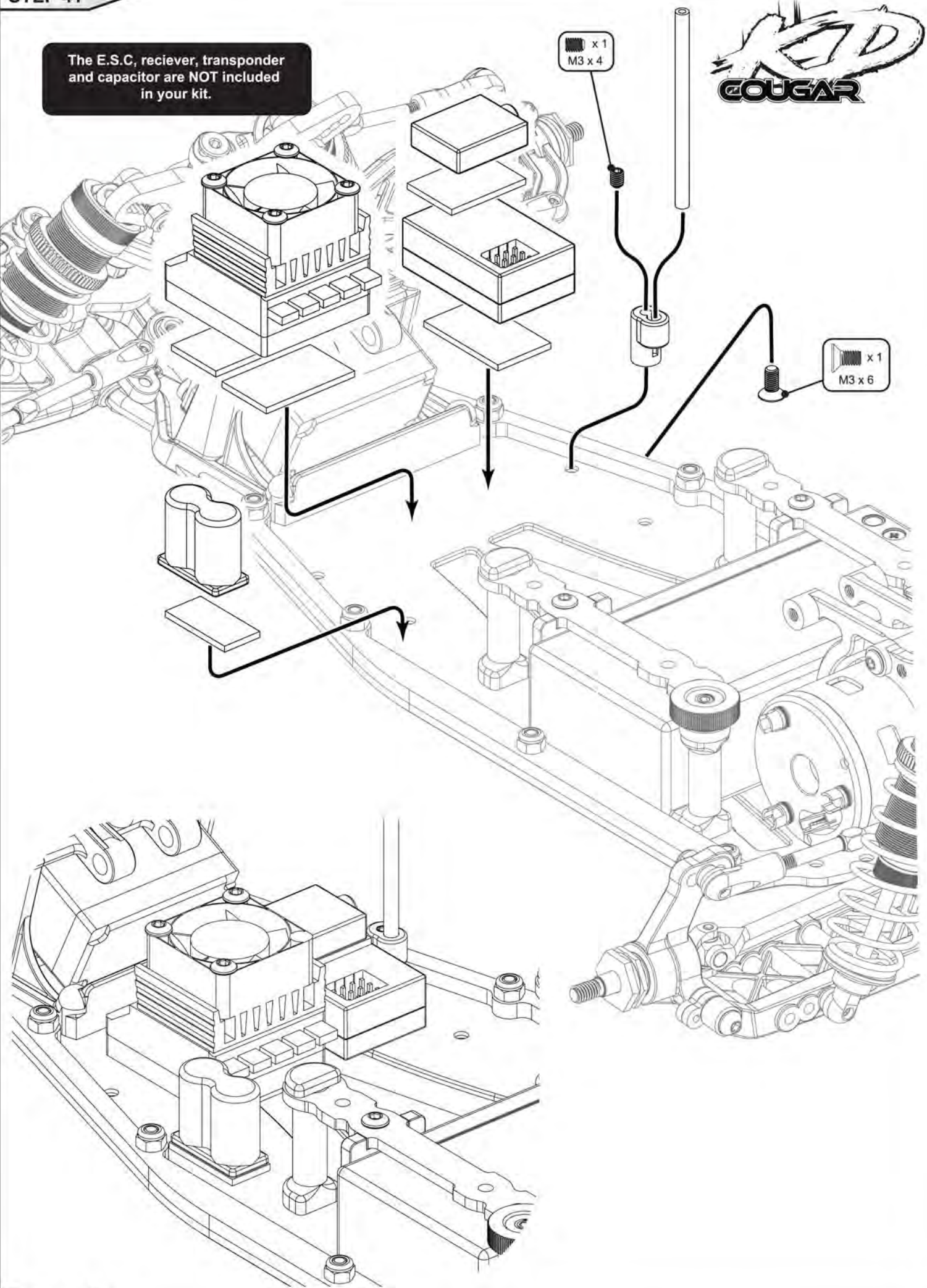
Saddle LiPo
is NOT included
in your kit.



The E.S.C, reciever, transponder and capacitor are NOT included in your kit.

x 1
M3 x 4

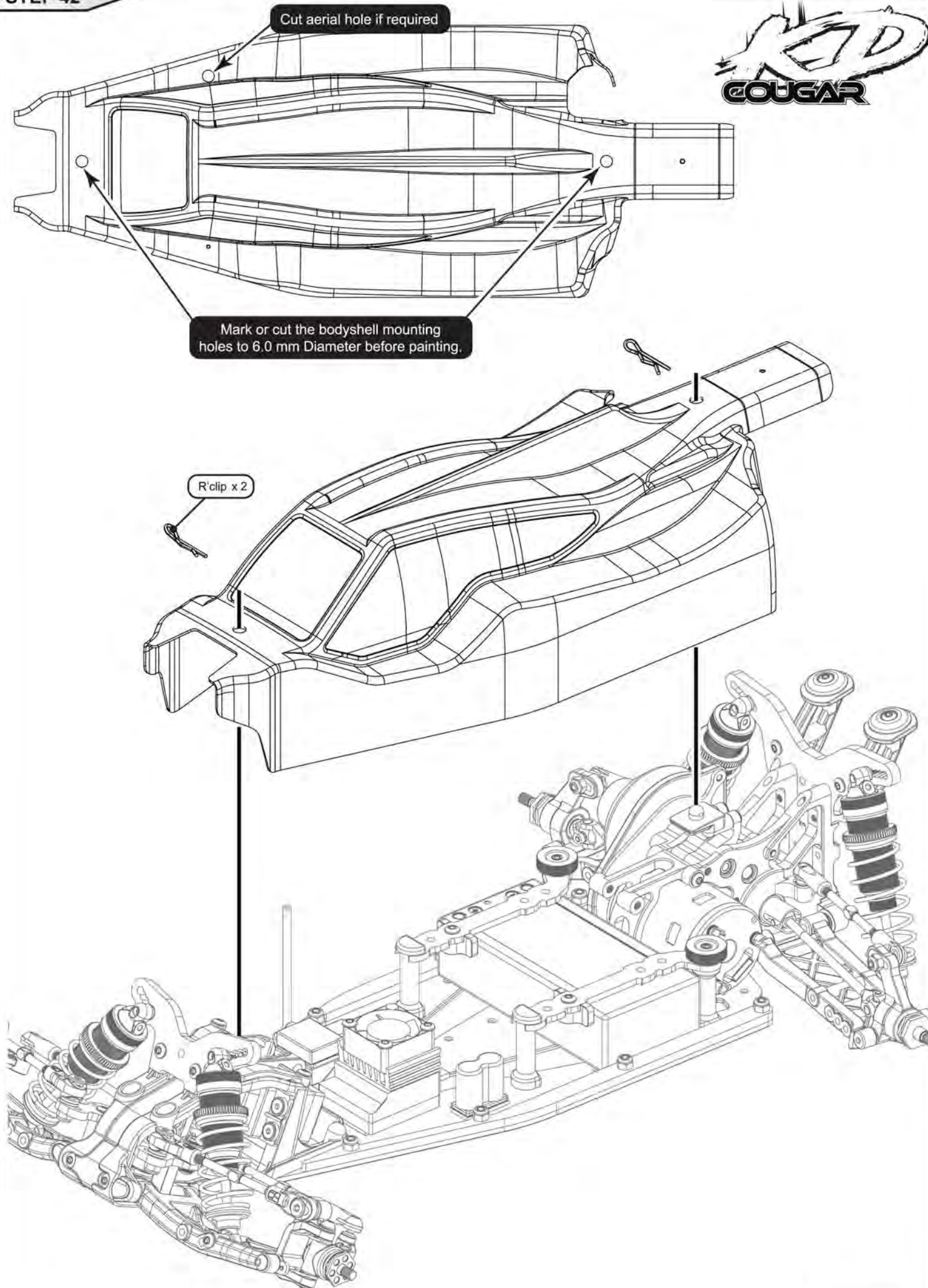
x 1
M3 x 6

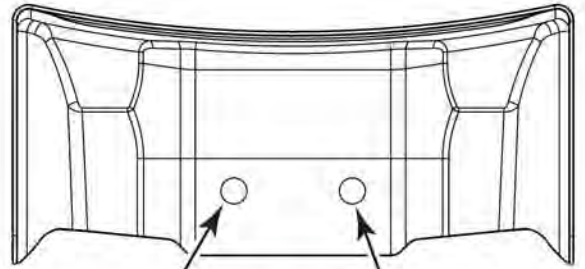
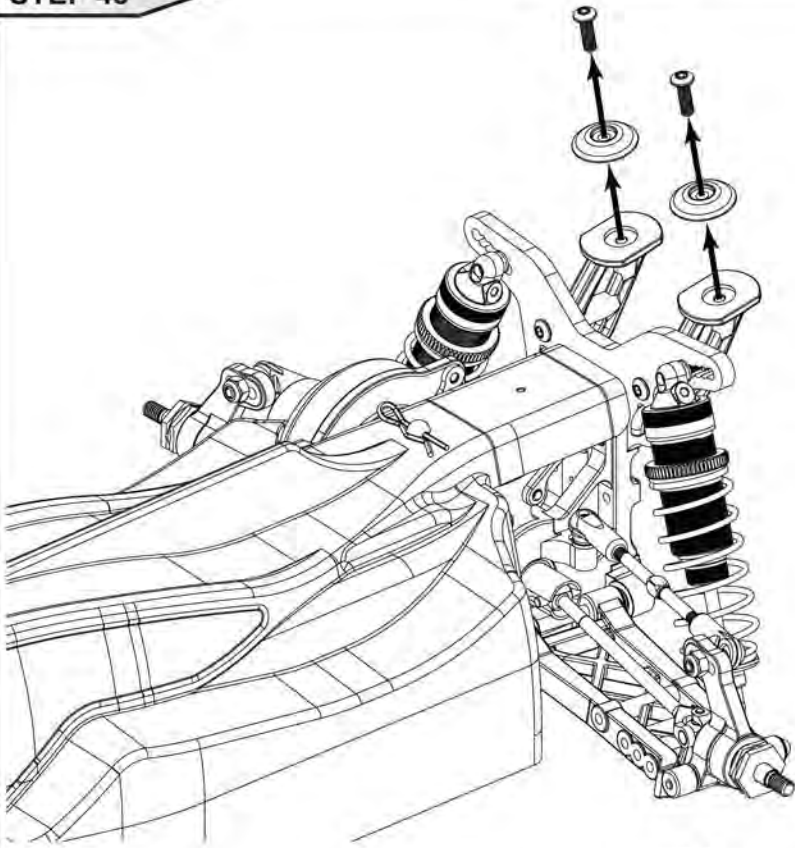


Cut aerial hole if required

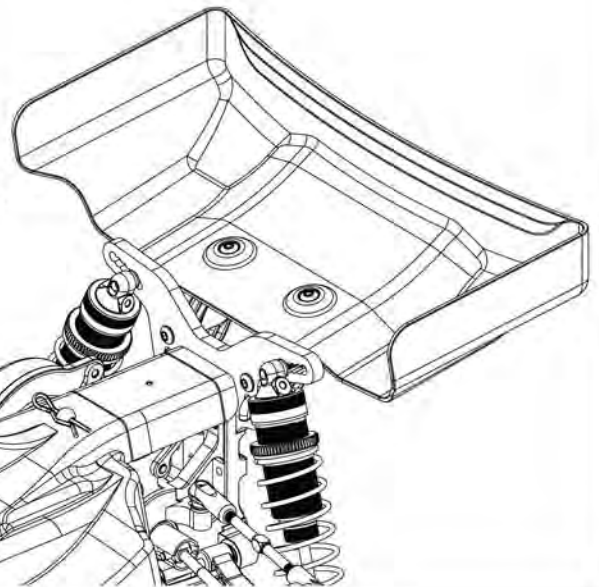
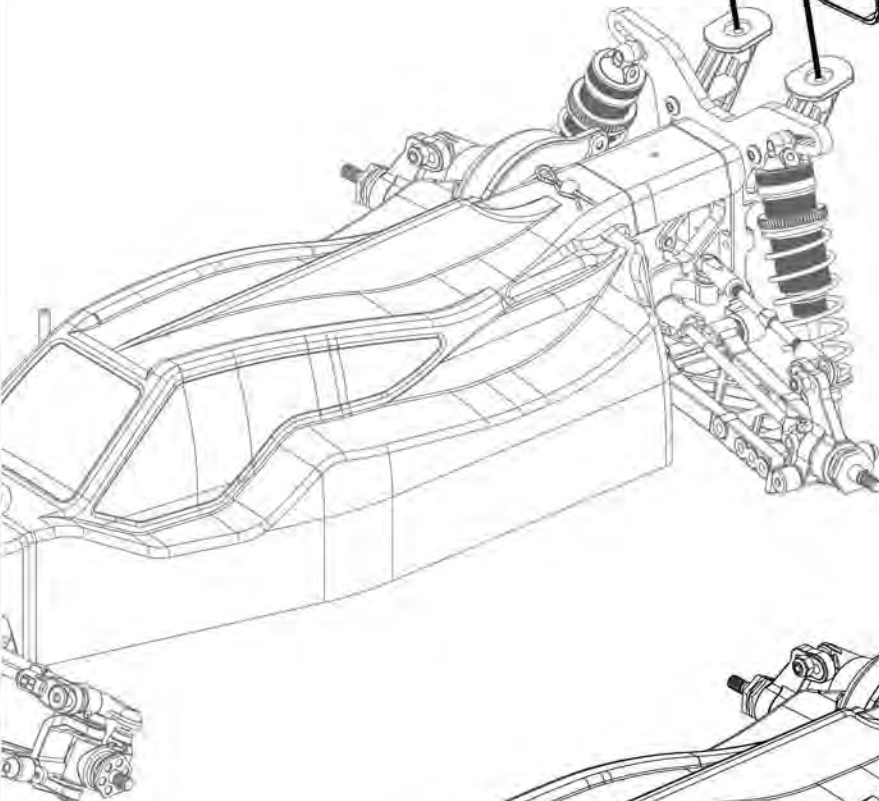
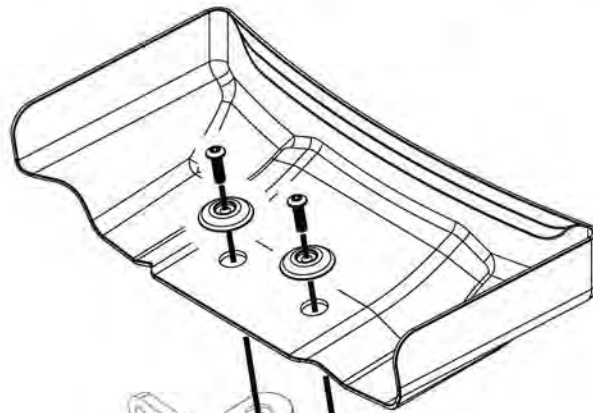
Mark or cut the bodyshell mounting holes to 6.0 mm Diameter before painting.

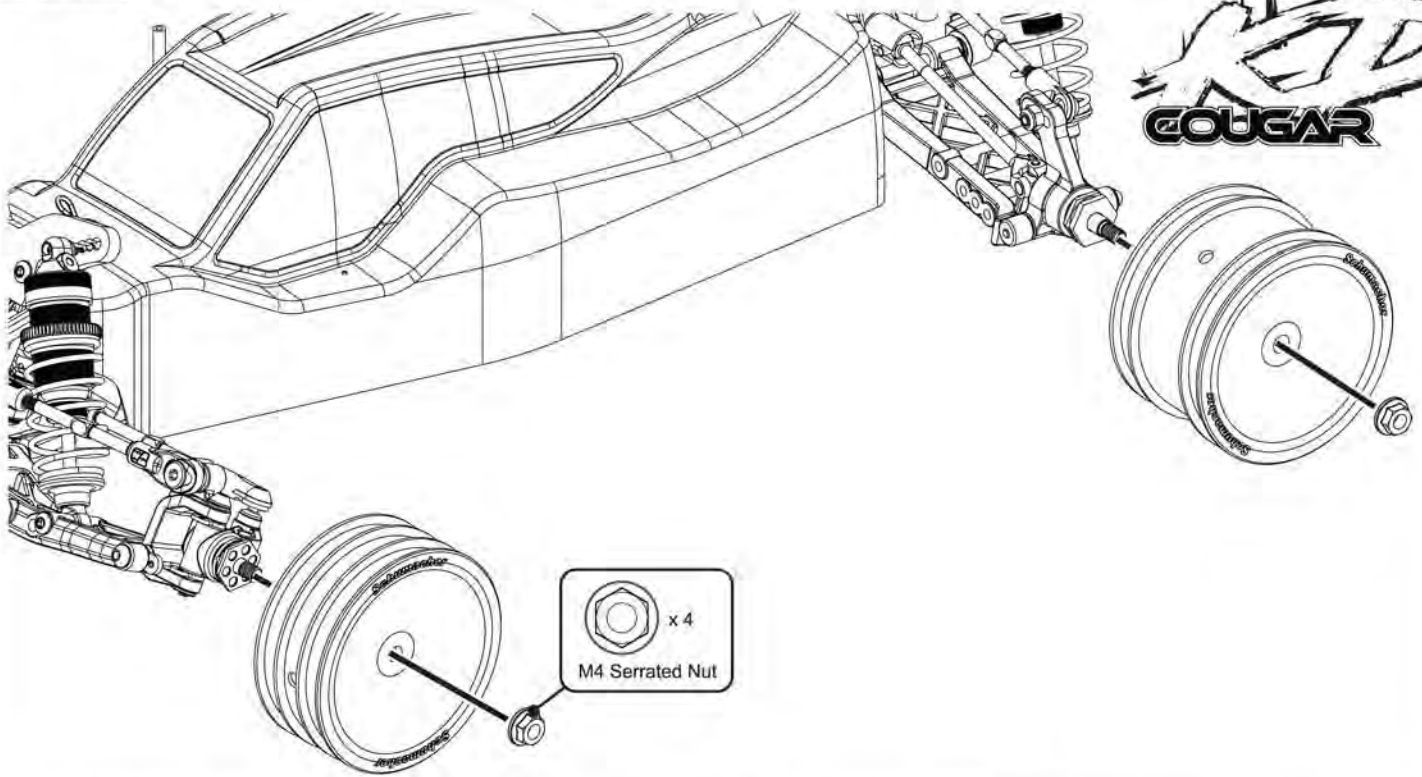
R'clip x 2



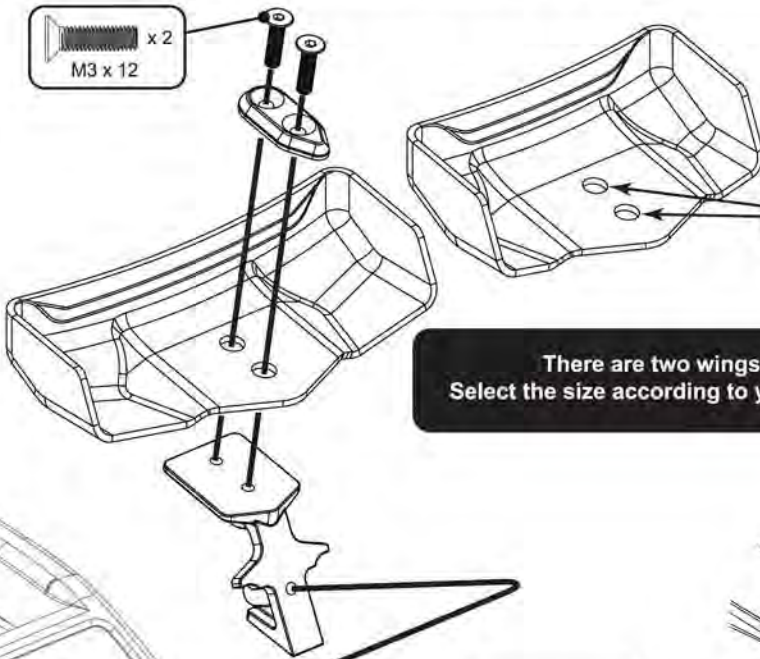


Mark or cut the wing mounting holes to 8.0 mm Diameter before painting.

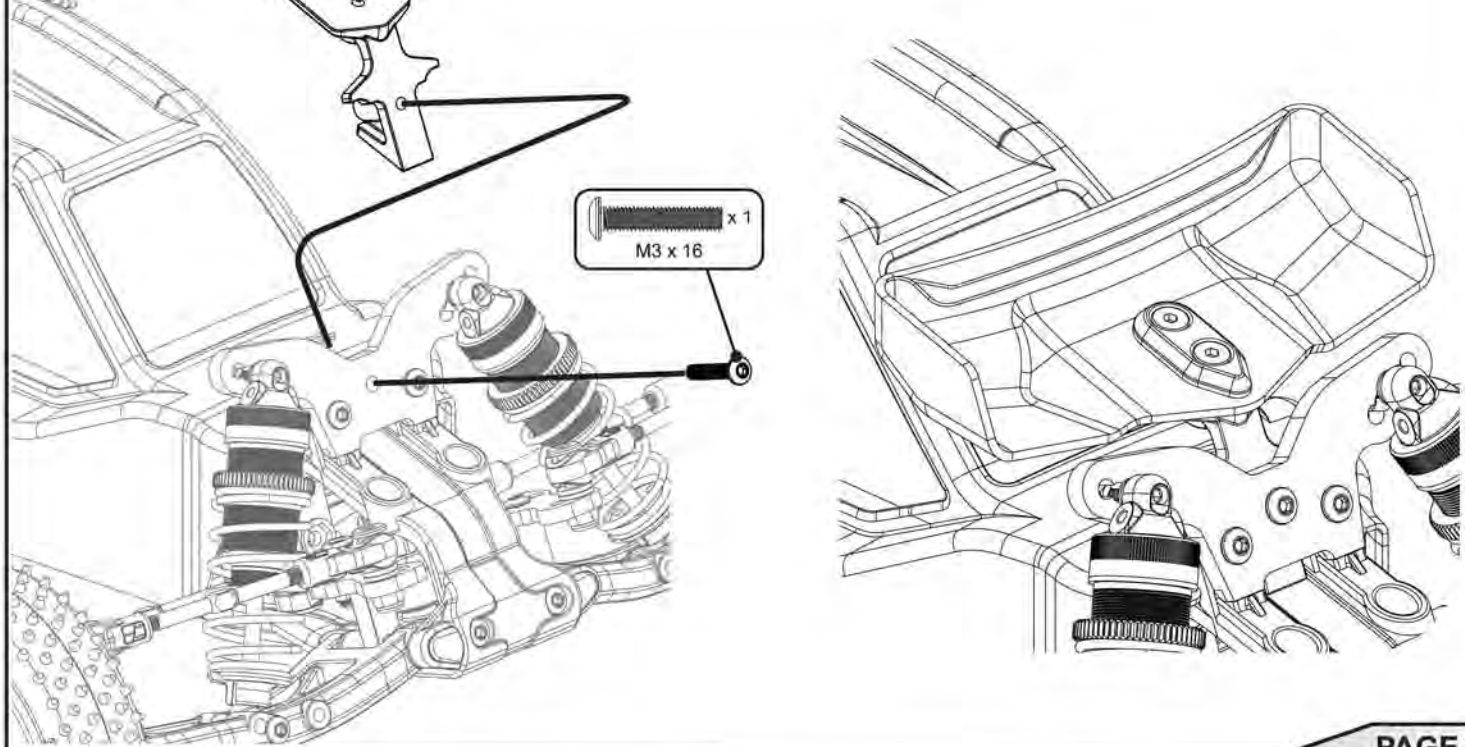
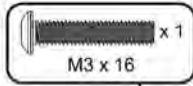




Optional U7092 - Front Wing Mount Mouldings + U7093 - Front Wings



There are two wings supplied.
Select the size according to your requirements.

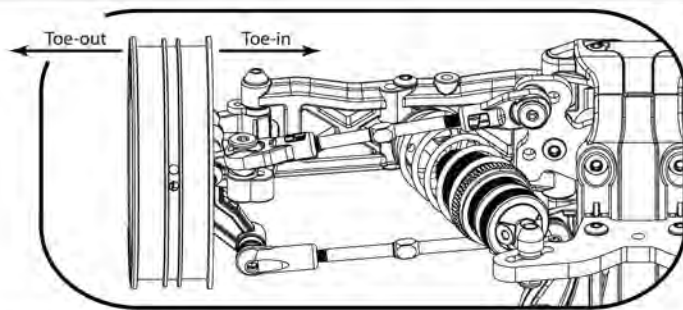


Settings



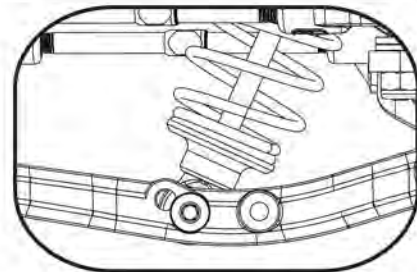
Front Toe

Front toe in should be set to 0° (both front wheels pointing straight ahead) this will be the best setting for most track conditions. Adding slight toe out will increase initial turn in. Whereas slight toe in will make this initial turn in a little softer. The Team generally run 1° toe out on Astro-Dirt tracks.



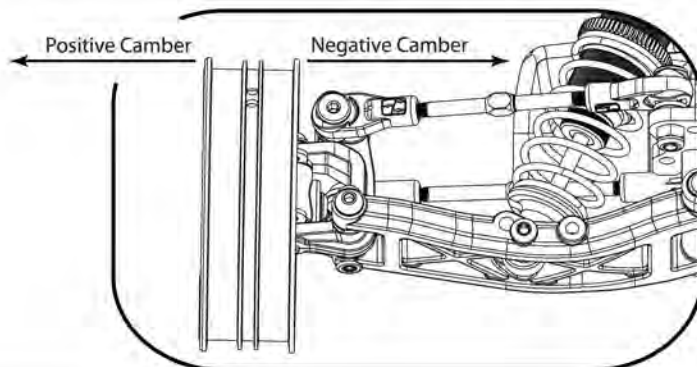
Front Wishbone Shock Mounting Hole

The outboard hole on the wishbone is the standard setting for most tracks. Moving the shock to the inner hole makes the car more reactive. It increases the initial turn in and makes the front of the car roll more through the turns. This setting also makes the front end softer.



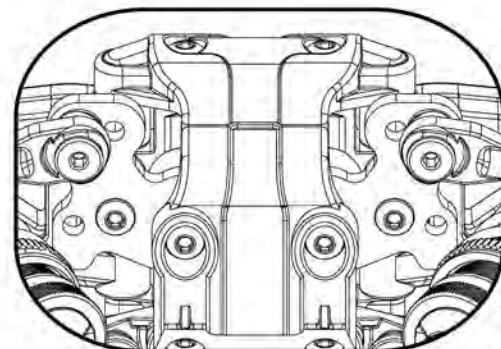
Front Camber

The usual team setting for static front camber is $1-2^\circ$ negative at ride height (the top of the wheel is leaning inwards towards the car). Increasing the static camber will generally increase the mid corner steering, whereas decreasing the static camber usually makes the car smoother to drive by reducing the steering response.



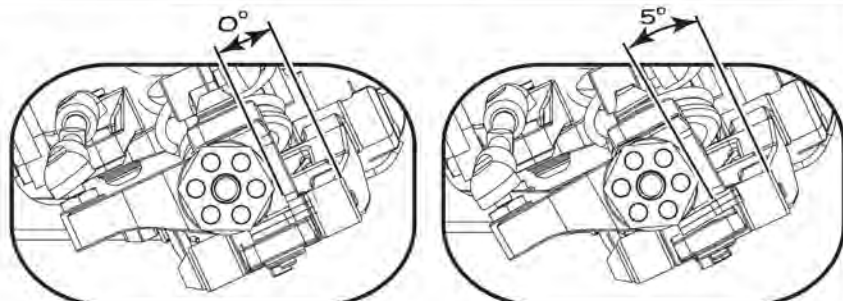
Front Camber Links

The kit front camber link position and length are what the team recommend for most tracks. Using a long front link makes the front of the car roll more and will give less steering reaction at high speed. It is also not quite as good on very bumpy tracks. We would probably recommend this on fairly smooth high grip tracks. A shorter front link will make the car roll less and quicken the initial steering response. This is a better choice for bumpy low grip tracks. Lowering the inside ball stud will give a similar result to shortening the link, and raising it will give a similar result to lengthening the camber link, but with less total effect.



Front Yoke

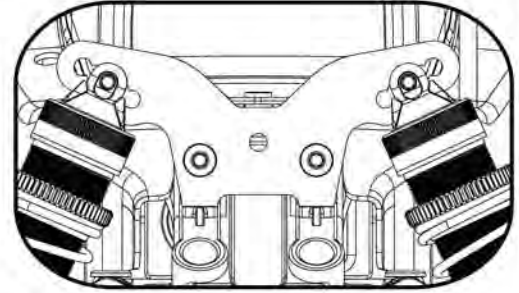
The rake angle (kick up) is 25° on the Cougar and needs adding to the castor block angle to get the total castor angle. The standard car uses a 5° castor block making the standard car 30° in total; this can be decreased to 25° by using the optional 0° castor block. The 30° angle will increase on power steering and stability, whereas using less castor will increase initial turn in





Front Shock Mount

The middle hole on the front shock mount is the most widely used position. Moving the shock to the outer position will make the car react faster and increase the initial steering response, it may however stiffen the suspension which may require an oil and spring change so that the cars suspension feels the same. By moving the shock to the inner hole will soften the suspension and slow down the steering reaction and make the car smoother on bumpy tracks. Again you may need to alter the oil and spring combination to get the suspension correct again.



Front Wheelbase Options

The Cougar KD has 2 ways of adjusting the wheelbase.

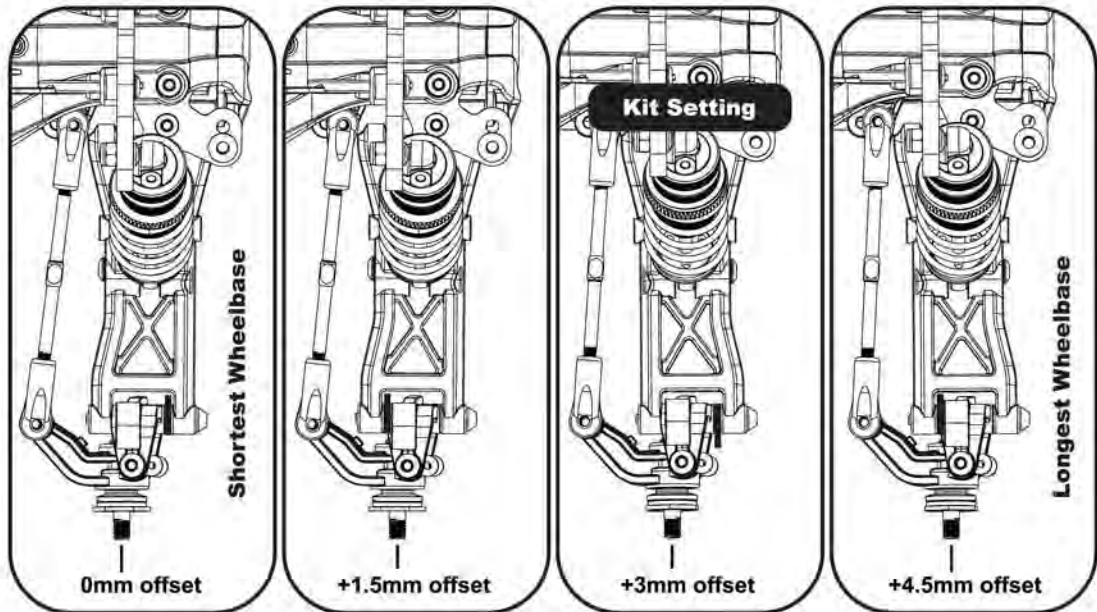
1. The adjustment is provided by re positioning the quick clip on the outer wishbone pin.
2. The Cougar KD front wishbone can be swapped left to right to alter the offset of the outer end of the wishbone.

The std offset is forward. Swapping the wishbones left to right will move the front hub carrier rearwards by 3.0mm

This only moves the hub carrier, it will not affect the angle of the shock absorber.

Moving the hub carrier rearwards will give more traction at the expense of stability over rough sections of the track, and moving the hub carrier forwards will usually improve stability over the rough sections.

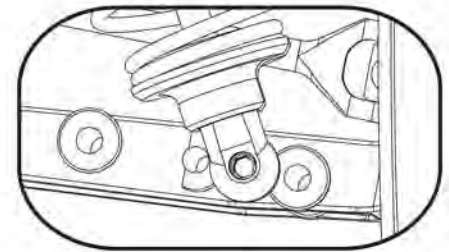
Car direction →



Rear Wishbone Shock Mounting Hole

The middle hole works best for most track conditions giving good traction and drive through the turns whilst maintaining good stability over the bumps. Moving to the outer hole on the wishbone will decrease traction but will allow the rear to free up more in the turns. This setting would usually only get used on high grip tracks and when moving the shock out you may have to change the oil and spring settings to get the same suspension feel.

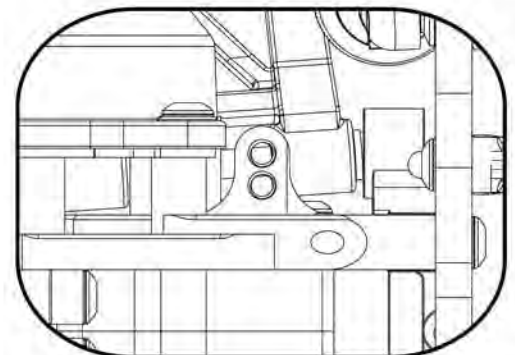
If the grip level is low and the track is bumpy, try the inside hole with harder spring, thicker oil and a 2mm internal limiter. This should help improve the handling.



Rear Camber Link

The kit build rear camber link setting is the best compromise for most tracks. This is the inside hole option and gives good stability and straight line traction while allowing the rear of the car to free up on high speed turns. This reduces power on under steer on high grip tracks.

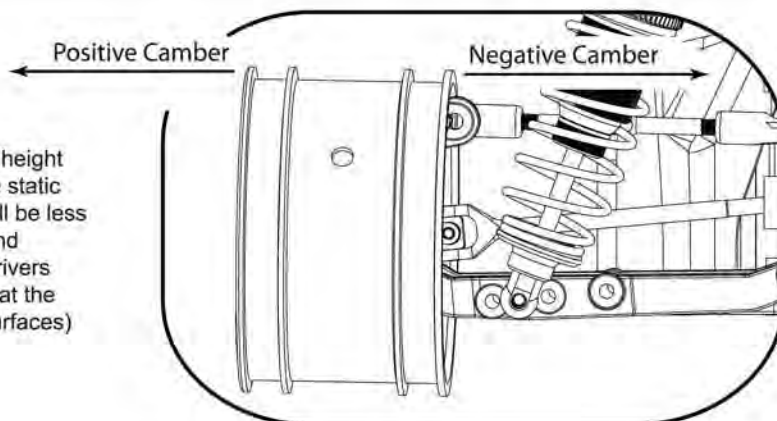
Shortening the rear camber link will make the rear of the car roll less in the corners, and square up faster when accelerating away from tight turns, longer links are generally used on high grip tracks and shorter links on low grip tracks. Lowering the inside ball stud will give a similar result to shortening the link, and raising it will give a similar result to lengthening the camber link, but with less total effect.





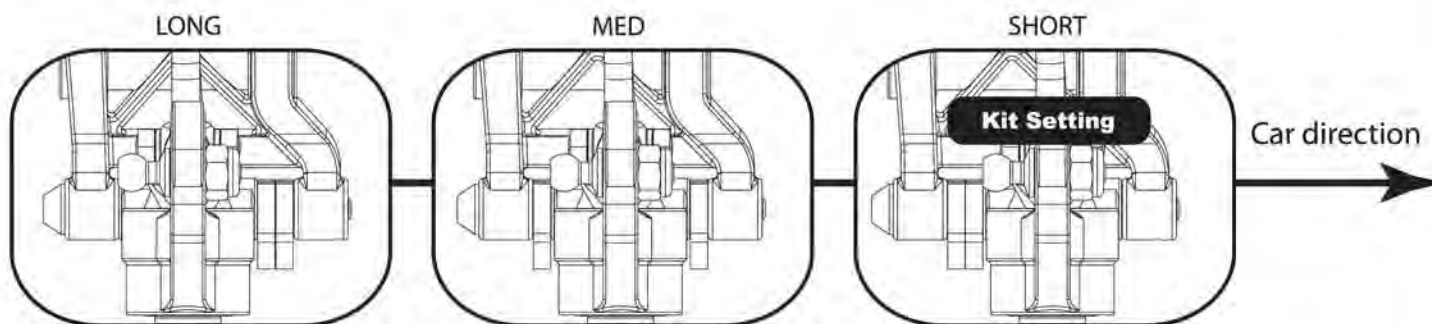
Rear Camber

The usual team setting for static rear camber is 1° negative at ride height (the top of the tyre leaning inwards towards the car). Increasing the static rear camber will increase the traction when exiting the turns, but will be less stable at high speed. Decreasing the camber will reduce stability and traction in the turns but will be more stable at high speed. (Some drivers believe that adding slight positive camber where the tyre leans out at the top away from the car, will improve straight line traction on loose surfaces)



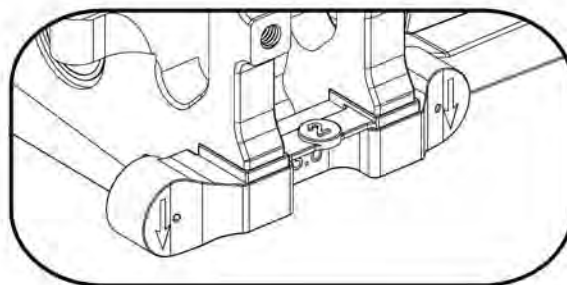
Rear Wheelbase options

The Cougar KD has 3 wheelbase options at the rear, short, med and long. The adjustment is provided by re positioning the quick clips on the outer wishbone pin. Moving the rear hub carrier forwards will give more traction at the expense of stability over rough sections of the track, and moving the hub carrier to the middle or rear position usually improves stability over the rough sections, running the car in long wheelbase form also free's up the car on sweeping sections of the track.



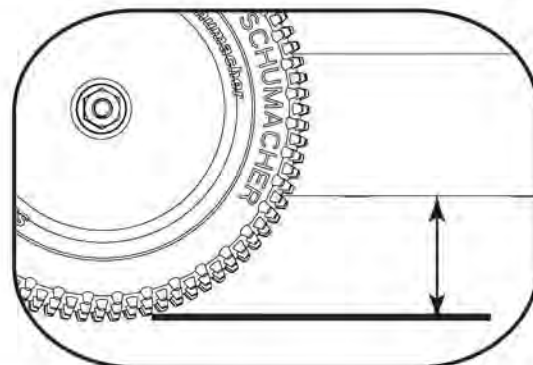
Rear Toe-In Straps

The standard rear strap gives 3° toe in. This is a good compromise between forward traction and the car binding in the turns, this setting is fine for most tracks. Using the Optional (**U7047 - Wide Brass Rear Strap 3.5°**) gives 3.5° of rear toe in. It also increases the weight (by approx 12.5g) over the back of the car helping with low grip conditions.



Ride Height

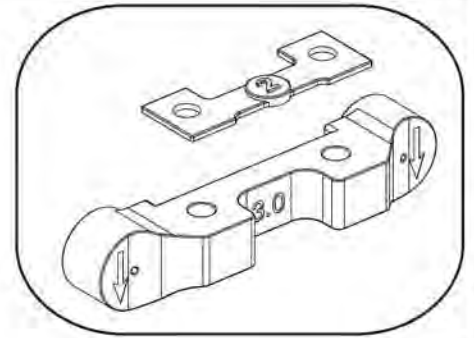
Use the spring adjusters on the shock absorbers to adjust the front and rear ride heights. We would recommend setting the ride height to around 19 mm with the car level. This is measured between the bottom of the chassis and the ground with the car in running trim. First press the car down on to the ground and release it once or twice to settle the suspension before adjusting the ride height. The chassis should be level when viewed from the side. Adjusting the spring collars does not increase or decrease the spring stiffness only the preload. So if the suspension needs to be softer or harder change the spring.





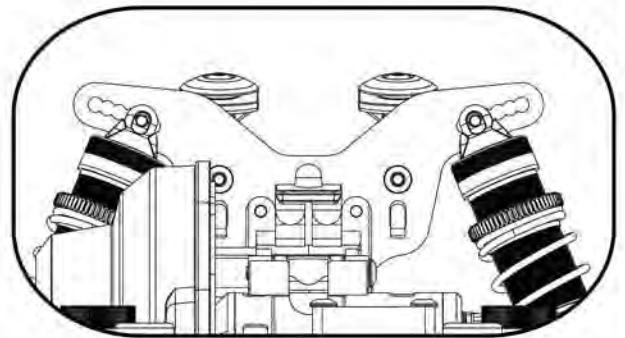
Rear Anti Squat Spacers

With the arrows on the rear strap pointing down, the standard antisquat is set at 2°. The team have found that this works best on most tracks, and with the included parts this can be increased or decreased. Generally less antisquat allows the suspension to work better over the large bumps but usually gives less power on traction. Adding more antisquat gives more forward traction up to the point where the car starts to pull wheelies. Backing off the slipper is not always an option to compensate for this as good initial bite is needed to clear big jumps. Reducing the antisquat seems to make the car handle better over small ripples but not so good on the tracks with large bumps.



Rear Shock Mount

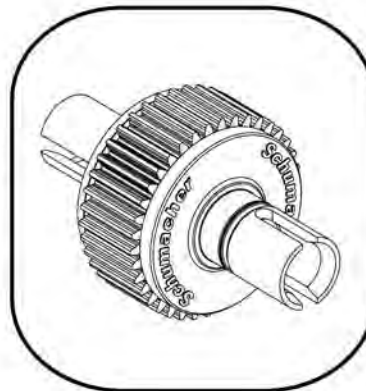
The middle hole on the shock mount gives best all round results. Moving the shock to the outer hole will stiffen the suspension and increase the reaction of the steering. The downside is less compliance over bumpy sections of the track. Moving the shock to the inboard position softens the suspension and will slow the steering reaction making the car smoother over the bumps. Moving the shock to these holes may require an oil or spring change to maintain the suspension performance. The rear shock mount is assembled to the back of the trasmission as Kit Std, moving the mount to the front of the transmission makes the car more reactive but sacrifices stability.



Differential's

We recommend the ball differential is used for loose or wet conditions. For consistent performance it is vital that the differential action should be smooth and free. Diff adjustment is not a tuning aid and the diff should never be allowed to slip. A loose diff can usually be recognised by a "chirping" sound when powering away from turns or landing under power from large jumps. When rebuilding your ball differential we recommend using a U1954 thrust race.

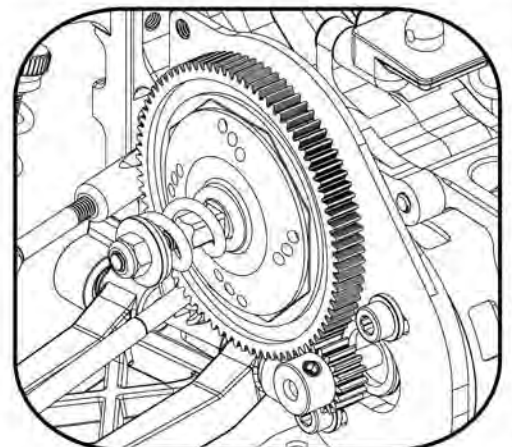
Geared Diffs can give different driving characteristics. The handling of the diff is tuned by changing the oil. A recommended starting point is 12,000 cSt (CR229). Recommended option oils would be 10,000 cSt (CR222) and 15,000 cSt (CR230).



Slipper Clutch

On most tracks it is best to start with the slipper on a **LOOSE** setting, and gradually tighten the spring tension until you achieve the most consistent drive away from turns without spinning the car or pulling wheelies. Make sure you still have enough drive when launching the car from the up ramps. **WARNING**, do not run the slipper too loose as it could melt the plastic spur gear, also too tight may damage the transmission parts.

If you are generating too much heat at your preferred setting, use **(U7050 - Multi Plate Slipper Conversion)** this will give you a more durable slipper clutch.





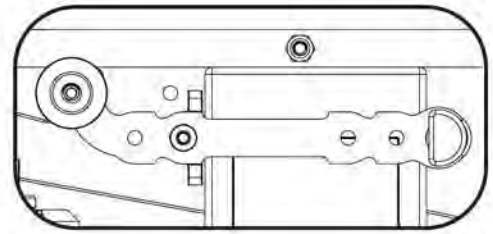
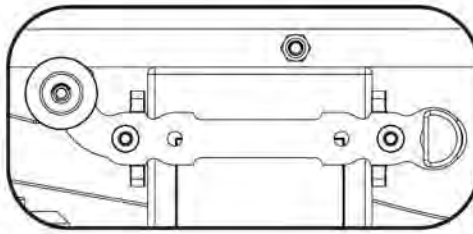
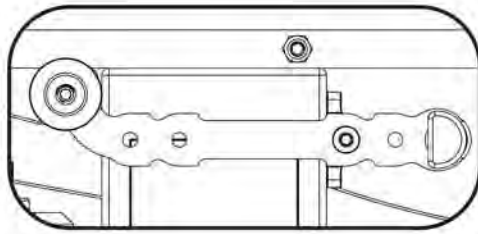
LiPo Position

The Cougar KD has 3 shorty LiPo positions available to fine tune the chassis.
 For increased traction run the rear Lipo position.
 For increased Steering run the front Lipo Position.

REAR

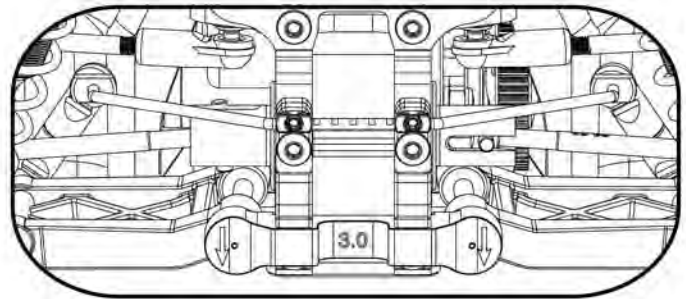
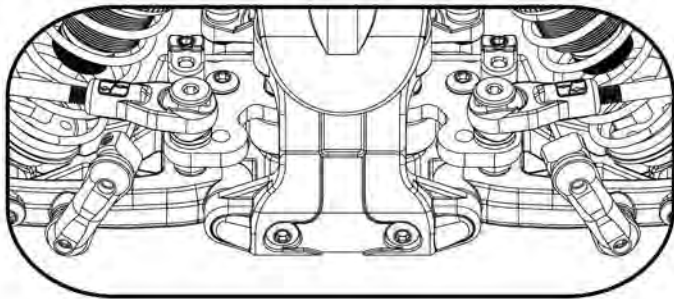
MIDDLE

FRONT



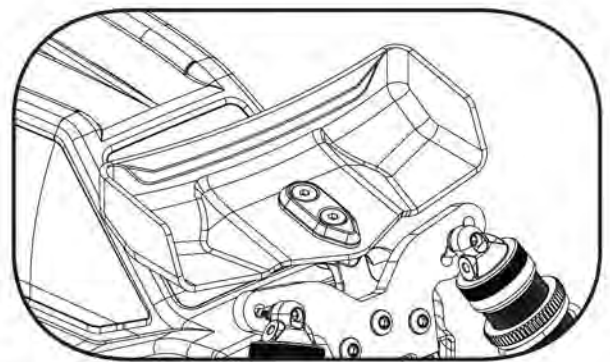
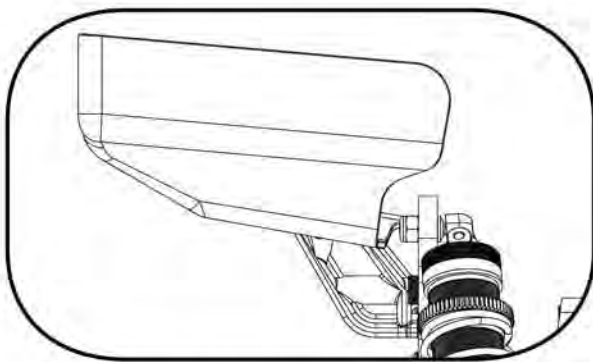
Anti-Roll Bars

Anti-roll bars are an often overlooked set up aid that allows fine tuning of the suspension without major changes to the shock and spring settings. They are mainly used to add roll stiffness to the car without affecting the handling on bumps and jumps. Running anti-roll bars allows you to run softer suspension on bumpy tracks while reducing the roll in corners thus maintaining stability through the turns.



Front and Rear Wings

Removing the washers at the front of the rear wing mount will give the wing more angle and increase rear downforce, adding washers will level the wing out giving less downforce.
 The front wings will add more downforce to the front of the car, use the large wing for maximum downforce.
 Trimming the gurney on both front and rear wings will reduce downforce.



Gear Ratio's (2.53:1)

Pinion Gear

	17	18	19	20	21	22	23	24	25	26	27	28	29	30	31	32	33
83		11.67	11.05	10.50	10.00	9.55	9.13	8.75	8.40								
82			10.92	10.37	9.88	9.43	9.02	8.64	8.30	7.98							
81				10.25	9.76	9.32	8.91	8.54	8.20	7.88	7.59						
80					9.64	9.20	8.80	8.43	8.10	7.78	7.50	7.23					
76									7.69	7.40	7.12	6.87	6.63	6.41	6.20	6.01	
71														5.99	5.79	5.61	5.44

Tooth Sum 101 Minimum to 108 Maximum(or a Maximum 33T Pinion)



3 Layer Soft Shell Team Jacket - Black

- G339XS Extra Small - 34 inch chest
- G339S Small - 38 inch chest
- G339M Medium - 41 inch chest
- G339L Large - 44 inch chest
- G339XL X Large - 46 inch chest
- G339XXL XX Large - 48 inch chest
- G339XXXL XXX Large - 50 inch chest

Team Hooded Sweatshirt - Navy Blue

- G343S Small
- G343M Medium
- G343L Large
- G343XL Extra Large



Caps - Black
G340 Schumacher Baseball Cap



2013 Team Polo Shirt - Navy blue

- G344S Small
- G344M Medium
- G344L Large
- G344XL X Large
- G344XXL XX Large
- G344XXXL XXX Large
- G344XXXXL XXXX Large
- G344XXXXXL XXXXX Large

2013 Team T-Shirt - Navy blue

- G342S Small
- G342M Medium
- G342L Large
- G342XL X Large
- G342XXL XX Large
- G342XXXL XXX Large
- G342XXXXL XXXX Large
- G342XXXXXL XXXXX Large



G338 2 Tone Beanie Knitted Hat



G315 Schumacher Pit Towel



G310 Schumacher Rubber Pit Mat



S500B - Team Schumacher Banner 3ft x 6ft



U7050 - Multi Plate Slipper Conversion - Cougar KC/D
 U4670 - Slipper Cage - KF2
 U4671 - Mid Slipper Plate - KF2
 U4673 - Slipper Spring- KF2



U4890 - Alloy Spring Seat - Off Road - pr



U4228 - Alloy Yokes - 5deg - 2WD
 U4703 - Alloy Yokes - 0deg - 2WD



U4619 - Alloy Centre Track Rod - 2WD



U4620 - Alloy Hub Carrier Front L/R - 2WD



U3605 - Alloy Rear Hubs; 1 deg - CAT/Cougar



U4998 - Alloy Rear Hub Carriers + Inserts - 2WD/4WD



U7134 - Alloy Front Link Mount - Cougar KC/D



CR192 - Alloy Servo Arm 25T - Futaba Short
 CR193 - Alloy Servo Arm 23T - KO/Sanwa Short



U4999 - Front Brass Weight - Cougar KC/D



U7047 - Wide Brass Rear Strap 3.5° - Cougar KC/D



U7072 - Front Roll Bar Kit - Cougar KC/D
 U4550 - Roll Bar Clamps - Mi5evo - (pk4) FR
 U7031 - Socket Grey 8mm (pk4)



U7071 - Rear Roll Bar Kit - Cougar KD



U4176 - Gear Diff Gear Set - CAT K1
 U4352 - Gear Diff - SVR
 U4385 - Gear Diff Rebuild Kit - Cougar KR
 U4386 - Gear Diff Output - Cougar KR
 U4387 - Gear Diff Mouldings - Cougar KR

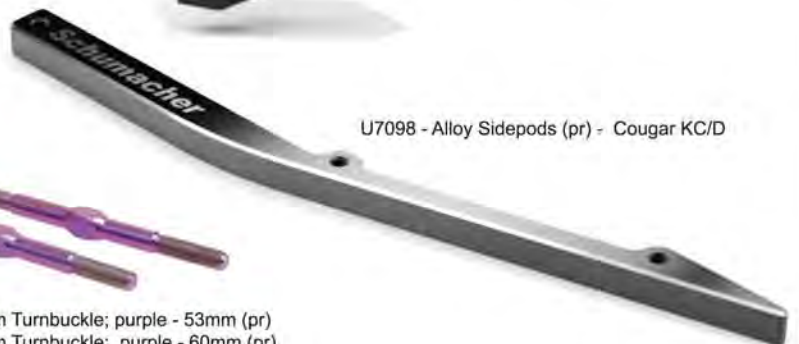
FRONT TOPDECK

U7051 - Topdeck Pivot Pin - Cougar KC/D
 U7074 - C/F Topdeck Set (Pos'n 4) - Cougar KC/D



Both Wings Shown, Fit ONE wing only.

U7091 - Front Wing Mount Kit - Cougar KC/D
 U7092 - Front Wing Mount Mouldings - Cougar KC/D
 U7093 - Front Wings - Cougar KC/D



U7098 - Alloy Sidepods (pr) - Cougar KC/D



U1573 - Titanium Turnbuckle; purple - 53mm (pr)
 U1574 - Titanium Turnbuckle; purple - 60mm (pr)
 U2566 - Titanium Turnbuckle; purple - 45mm (pr)

2WD Slim Cut Stagger



U6759 - Yellow Compound (pair)
U6765 - Green Compound (pair)

Low Profile 2WD Slim Cut Stagger



U6770 - Yellow Compound (pair)
U6771 - Green Compound (pair)
U6775 - Silver Compound (pair)
U6776 - Blue Compound (pair)

2WD Slim Mini Spike 2



U6549 - Blue Compound (pair)
U6550 - Green Compound (pair)
U6581 - Yellow Compound (pair)
U6761 - Silver Compound (pair)

2WD Slim Mini Pin



U6609 - Yellow Compound (pair)
U6779 - Silver Compound (pair)

Rear Mini Spike 2



U6516 - Green Compound (pair)
U6518 - Blue Compound (pair)
U6558 - Yellow Compound (pair)
U6763 - Silver Compound (pair)

Rear 2" Block



T692 - Blue Compound (pair)
U6786 - Yellow Compound (pair)

Rear Mini Pin 1



U6817 - Yellow Compound (pair)
U6819 - Blue Compound (pair)
U6820 - Silver Compound (pair)

Rear Mini Pin 2



U6803 - Blue Compound (pair)
U6804 - Yellow Compound (pair)
U6805 - Silver Compound (pair)

2.2" Rear Full Spike



U6596 - Yellow Compound (pair)

Stud 2 Row Front



U6797 - Yellow Compound (pair)

2WD Slim Mini Dart



U6824 - Yellow Compound (pair)
U6827 - Blue Compound (pair)
U6830 - Silver Compound (pair)

Rear Mini Dart



U6826 - Yellow Compound (pair)
U6829 - Blue Compound (pair)
U6832 - Silver Compound (pair)



Tyre Grip Guide

		Tarmac	Carpet	Dry Astro	Dry Grass	Wet Grass	Wet Astro
Slim Cut Stagger	U6759 Yellow		●●	●●●	●●●		
	U6765 Green					●●●	●●
Slim Low Profile Cut Stagger	U6770 Yellow		●●	●●●	●●●		
	U6771 Green					●●●	●●
	U6775 Silver					●●	●●●
	U6776 Blue	●●					
Slim Mini Spike 2	U6581 Yellow		●●	●●●	●●●		
	U6550 Green			●		●●●	●●
	U6549 Blue	●●				●●	
	U6761 Silver					●●	●●●
Slim Mini Pin	U6609 Yellow	●	●●●	●●			●●●
	U6779 Silver					●●	
Slim Dart	U6824 Yellow		●●	●●●			
	U6827 Blue		●	●●			
	U6830 Silver						●●●
Front Stud 2 Row	U6797 Yellow	●	●	●●	●●	●	●
Rear 2.2" Full Spike	U6596 Yellow				●●		
Rear Mini Spike 2	U6558 Yellow	●		●●●	●●●		
	U6518 Blue	●●●			●●	●●	
	U6516 Green			●		●●●	●●
	U6763 Silver					●●	●●●
Rear Mini Pin 2	U6804 Yellow	●	●●●	●●			
	U6803 Blue	●●●	●				
	U6805 Silver					●	●●●
Rear Mini Pin 1	U6817 Yellow		●●●	●●●	●		
	U6819 Blue		●●	●●			
	U6820 Silver					●	●●●
Rear 2" Block	U6786 Yellow			●●●			
	T692 Blue	●●					
Rear Dart	U6826 Yellow		●●	●●●			
	U6829 Blue		●	●●			
	U6832 Silver						●●●

Excellent Grip ●●● Good Grip ●● Fair Grip ●

12mm Hex Wheels Black

U4365 - Rear
U4367 - Front
U4660 - Front Slim

White

U4366 - Rear
U4368 - Front
U4661 - Front Slim



Pre-Glued Yellow Compound Tyres on 12mm Hex White Wheels

Slim Front

U6795 - Mini Pin
U6801 - Cut Stagger Low Profile
U6833 - Mini Dart

Rear

U6794 - Mini Spike 2
U6806 - Mini Pin 2
U6818 - Mini Pin 1
U6835 - Mini Dart

Inserts

Front Slim Foam Inserts

U6667 - Hard (pair)
U6738 - Med (pair)

Front Medium Foam Inserts

U6652 - Hard (pair)
U6733 - Med (pair)
U6746 - Med Tubby (pair)

Rear Foam Inserts

U6653 - Hard (pair)
U6734 - Med (pair)
U6747 - Med Tubby (pair)

Driver & Event

Name MICHAL ORLOWSKI
 Date 2016 Event EUROS
 Weather HOT
 Result 3RD

Electrics & Chassis

E.S.C LRP
 Servo SANWA
 Reciever SANWA
 Lipo LRP
 Front Top Deck Yes No
 Shorty LiPo Front Middle Rear
 Chassis Alloy Carbon

Motor & Gearing

Motor LRP
 Rotor Diameter STD mm
 Timing STD Deg
 Spur 83
 Pinion 22

Track Conditions

Grip Level High Med Low
 Type Tight Open Mixed
 Surface Clay Astro Grass
 Mixed Carpet
 Condition Smooth Bumpy

Wheels & Tyres

Rr Tyre PL HOLESHOT
 Rr Wheel STD
 Rr Insert STD
 Fr Tyre PL RIB
 Fr Wheel STD
 Fr Insert STD

Other settings

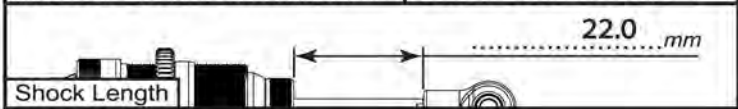
Car Weight 1505 g
 Wing Gurney Height Front mm
 Wing Gurney Height Rear 5.0 mm
 Front Wing small big
 Alloy Sidepods
 Front Brass Weight
 Multi Plate Slipper
 Narrow Rear Wheel Hex

Diff Type

Ball Gear Diff Oil cSt

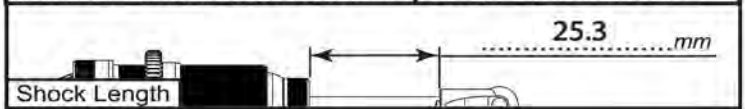
Front Shocks

Spring RED 3.1 lb/in
 Oil 300 cSt
 Shock Cap Sealed Vented Aeration
 Piston KIT 2 HOLE Drilled Hole Size 1.6 mm
 Internal Limiters 0 mm Small Bore Shocks
 Shock Length 22.0 mm



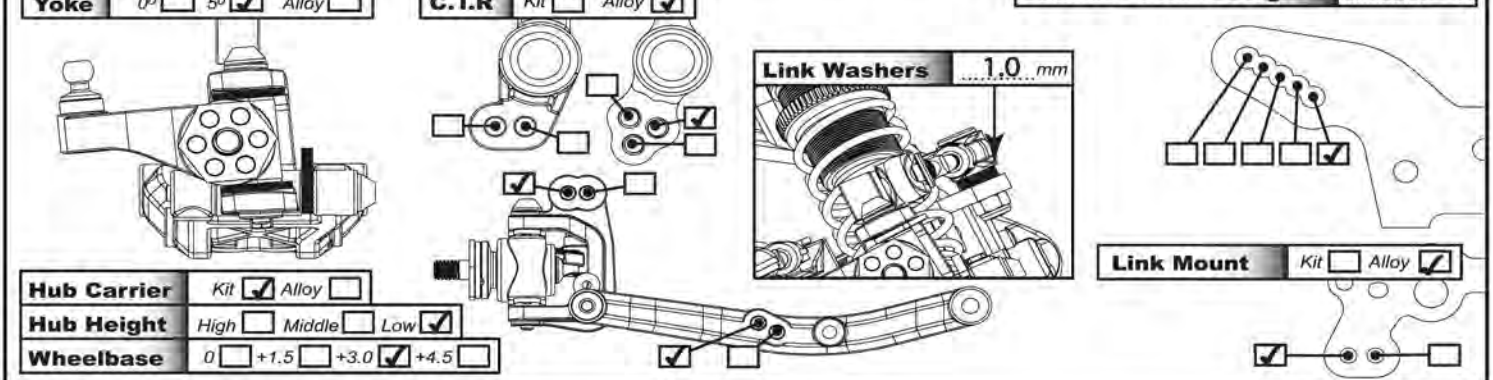
Rear Shocks

Spring BLUE 2.4 lb/in
 Oil 300 cSt
 Shock Cap Sealed Vented Aeration
 Piston KIT 2 HOLE Drilled Hole Size 1.7 mm
 Internal Limiters 2.0 mm Small Bore Shocks
 Shock Length 25.3 mm



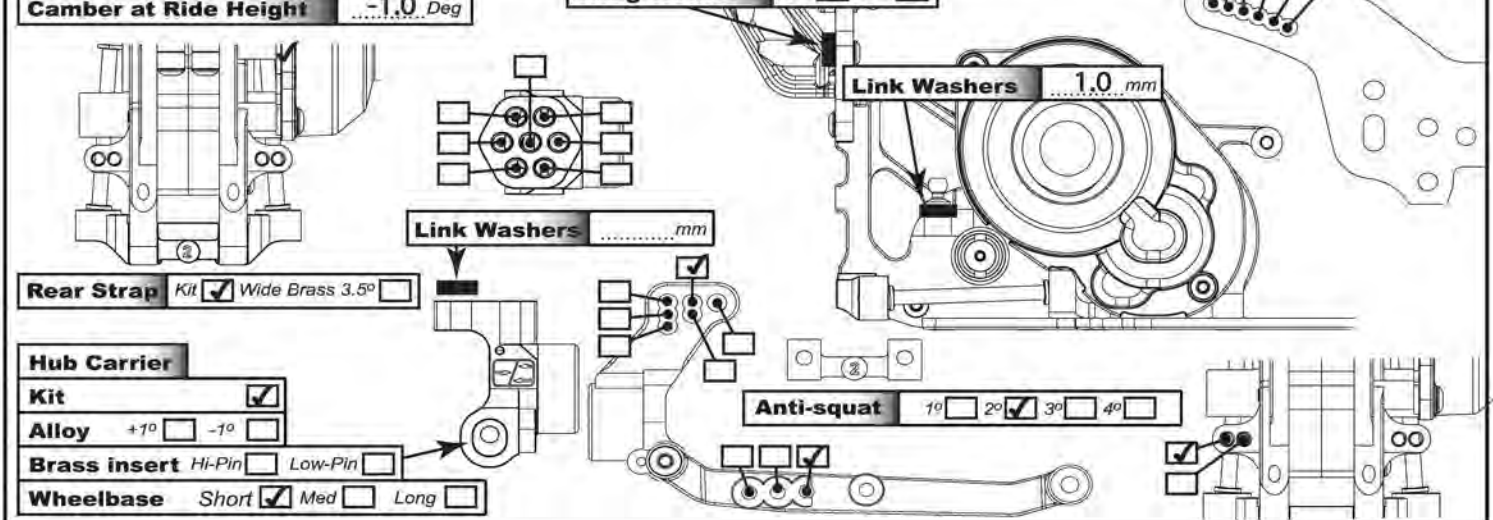
Front Suspension

Toe 0 Deg
 Yoke 0° 5° Alloy
 Anti Roll Bar No 0.9 1.1 1.2 1.3
 Ride Height 20.0 mm
 Camber at Ride Height -1.0 Deg
 C.T.R Kit Alloy
 Link Washers 1.0 mm
 Link Mount Kit Alloy
 Hub Carrier Kit Alloy
 Hub Height High Middle Low
 Wheelbase 0 +1.5 +3.0 +4.5



Rear Suspension

Ride Height 20.0 mm
 Camber at Ride Height -1.0 Deg
 Anti Roll Bar No 1.2 1.4 1.6
 Wing Washer No Yes
 Link Washers 1.0 mm
 Anti-squat 1° 2° 3° 4°
 Rear Strap Kit Wide Brass 3.5°
 Hub Carrier Kit
 Alloy +1° -1°
 Brass insert Hi-Pin Low-Pin
 Wheelbase Short Med Long



Notes



Driver & Event
Name TOM YARDY
Date DEC 16 Event TESTING
Weather WET
Result

Electrics & Chassis
E.S.C HOBBYWING XR10
Servo KO RSX2 RESPONSE
Reciever KO
Lipo CORE 4000
Front Top Deck Yes <input type="checkbox"/> No <input checked="" type="checkbox"/>
Shorty LiPo Front <input type="checkbox"/> Middle <input type="checkbox"/> Rear <input checked="" type="checkbox"/>
Chassis Alloy <input checked="" type="checkbox"/> Carbon <input type="checkbox"/>

Motor & Gearing
Motor 7.5
Rotor Diameter STD mm
Timing STD Deg
Spur 83
Pinion 23

Track Conditions
Grip Level High <input type="checkbox"/> Med <input type="checkbox"/> Low <input checked="" type="checkbox"/>
Type Tight <input type="checkbox"/> Open <input type="checkbox"/> Mixed <input checked="" type="checkbox"/>
Surface Clay <input type="checkbox"/> Astro <input checked="" type="checkbox"/> Grass <input type="checkbox"/>
Mixed <input type="checkbox"/> Carpet <input type="checkbox"/>
Condition Smooth <input type="checkbox"/> Bumpy <input checked="" type="checkbox"/>

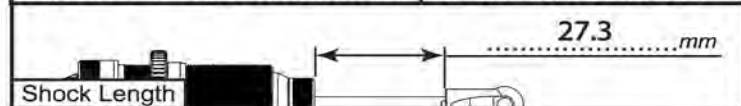
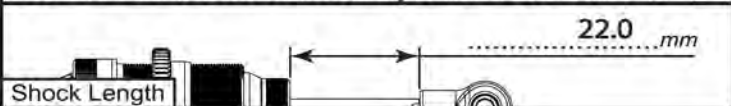
Wheels & Tyres
Rr Tyre MINIDART SILVER
Rr Wheel STD
Rr Insert STD MEDIUM
Fr Tyre CUT STAGGER SILVER
Fr Wheel SLIM
Fr Insert NONE

Other settings
Car Weight g
Wing Gurney Height Front mm
Wing Gurney Height Rear 5.0 mm
Front Wing <input type="checkbox"/> small <input type="checkbox"/> big <input type="checkbox"/>
Alloy Sidepods <input type="checkbox"/>
Front Brass Weight <input type="checkbox"/>
Multi Plate Slipper <input type="checkbox"/>
Narrow Rear Wheel Hex <input checked="" type="checkbox"/>

Diff Type
Ball <input checked="" type="checkbox"/> Gear <input type="checkbox"/>
Diff Oil cSt

Front Shocks
Oil... 300 cSt Spring RED 3.1 lb/in Shock Cap Sealed <input type="checkbox"/> Vented <input type="checkbox"/> Aeration <input checked="" type="checkbox"/>
Piston..KIT.2.HOLE Drilled <input type="checkbox"/> Hole Size.....1.6.....mm
Internal Limiters.....0.....mm Small Bore Shocks <input type="checkbox"/>

Rear Shocks
Oil... 300 cSt Spring BLUE 2.4 lb/in Shock Cap Sealed <input type="checkbox"/> Vented <input type="checkbox"/> Aeration <input checked="" type="checkbox"/>
Piston..KIT.2.HOLE Drilled <input type="checkbox"/> Hole Size.....1.7.....mm
Internal Limiters.....0.....mm Small Bore Shocks <input type="checkbox"/>



Front Suspension

Toe 0 Deg	Anti Roll Bar No <input checked="" type="checkbox"/> 0.9 <input type="checkbox"/> 1.1 <input type="checkbox"/> 1.2 <input type="checkbox"/> 1.3 <input type="checkbox"/>	Ride Height 19.0 mm
Yoke 0° <input type="checkbox"/> 5° <input checked="" type="checkbox"/> Alloy <input type="checkbox"/>	C.T.R Kit <input checked="" type="checkbox"/> Alloy <input type="checkbox"/>	Camber at Ride Height -1.0 Deg

Link Washers 1.0 mm

Hub Carrier Kit Alloy

Hub Height High Middle Low

Wheelbase 0 +1.5 +3.0 +4.5

Link Mount Kit Alloy

Rear Suspension

Ride Height 19.0 mm	Anti Roll Bar No <input checked="" type="checkbox"/> 1.2 <input type="checkbox"/> 1.4 <input type="checkbox"/> 1.6 <input type="checkbox"/>
Camber at Ride Height -1.0 Deg	Wing Washer No <input type="checkbox"/> Yes <input checked="" type="checkbox"/>

Link Washers 1.0 mm

Rear Strap Kit Wide Brass 3.5°

Hub Carrier Kit

Alloy +1° -1°

Brass insert Hi-Pin Low-Pin

Wheelbase Short Med Long

Anti-squat 1° 2° 3° 4°

Notes